

5200A

AC Calibrator

Instruction Manual

P/N 357194
September 1975 Rev. 3 5/85
©1985 John Fluke Mfg. Co., Inc.
All rights reserved. Litho in U.S.A.



WARRANTY

Notwithstanding any provision of any agreement the following warranty is exclusive:

The JOHN FLUKE MFG. CO., INC., warrants each instrument it manufactures to be free from defects in material and workmanship under normal use and service for the period of 1-year from date of purchase. This warranty extends only to the original purchaser. This warranty shall not apply to fuses, disposable batteries (rechargeable type batteries are warranted for 90-days), or any product or parts which have been subject to misuse, neglect, accident, or abnormal conditions of operations.

In the event of failure of a product covered by this warranty, John Fluke Mfg. Co., Inc., will repair and calibrate an instrument returned to an authorized Service Facility within 1 year of the original purchase; provided the warrantor's examination discloses to its satisfaction that the product was defective. The warrantor may, at its option, replace the product in lieu of repair. With regard to any instrument returned within 1 year of the original purchase, said repairs or replacement will be made without charge. If the failure has been caused by misuse, neglect, accident, or abnormal conditions of operations, repairs will be billed at a nominal cost. In such case, an estimate will be submitted before work is started, if requested.

THE FOREGOING WARRANTY IS IN LIEU OF ALL OTHER WARRANTIES, EXPRESS OR IMPLIED, INCLUDING BUT NOT LIMITED TO ANY IMPLIED WARRANTY OF MERCHANTABILITY, FITNESS, OR ADEQUACY FOR ANY PARTICULAR PURPOSE OR USE. JOHN FLUKE MFG. CO., INC., SHALL NOT BE LIABLE FOR ANY SPECIAL, INCIDENTAL, OR CONSEQUENTIAL DAMAGES, WHETHER IN CONTRACT, TORT, OR OTHERWISE.

If any failure occurs, the following steps should be taken:

1. Notify the JOHN FLUKE MFG. CO., INC., or nearest Service facility, giving full details of the difficulty, and include the model number, type number, and serial number. On receipt of this information, service data, or shipping instructions will be forwarded to you.
2. On receipt of the shipping instructions, forward the instrument, transportation prepaid. Repairs will be made at the Service Facility and the instrument returned, transportation prepaid.

SHIPPING TO MANUFACTURER FOR REPAIR OR ADJUSTMENT

All shipments of JOHN FLUKE MFG. CO., INC., instruments should be made via United Parcel Service or "Best Way" prepaid. The instrument should be shipped in the original packing carton; or if it is not available, use any suitable container that is rigid and of adequate size. If a substitute container is used, the instrument should be wrapped in paper and surrounded with at least four inches of excelsior or similar shock-absorbing material.

CLAIM FOR DAMAGE IN SHIPMENT TO ORIGINAL PURCHASER

The instrument should be thoroughly inspected immediately upon original delivery to purchaser. All material in the container should be checked against the enclosed packing list. The manufacturer will not be responsible for shortages against the packing sheet unless notified immediately. If the instrument is damaged in any way, a claim should be filed with the carrier immediately. (To obtain a quotation to repair shipment damage, contact the nearest Fluke Technical Center.) Final claim and negotiations with the carrier must be completed by the customer.

The JOHN FLUKE MFG. CO., INC. will be happy to answer all applications or use questions, which will enhance your use of this instrument. Please address your requests or correspondence to: JOHN FLUKE MFG. CO., INC., P.O. BOX C9090, EVERETT, WASHINGTON 98206, ATTN: Sales Dept. For European Customers: Fluke (Holland) B.V., P.O. Box 5053, 5004 EB, Tilburg, The Netherlands.

*For European customers, Air Freight prepaid.

John Fluke Mfg. Co., Inc., P.O. Box C9090, Everett, Washington 98206

Table of Contents

SECTION	TITLE	PAGE
1	INTRODUCTION AND SPECIFICATIONS	1-1
	1-1. INTRODUCTION	1-1
	1-10. SPECIFICATIONS	1-2
2	OPERATING INSTRUCTIONS	2-1
	2-1. INTRODUCTION	2-1
	2-3. SHIPPING INFORMATION	2-1
	2-6. INPUT POWER	2-1
	2-8. RACK INSTALLATION	2-1
	2-10. OPERATING FEATURES	2-2
	2-12. OPERATING NOTES	2-5
	2-14. AC Line Connection	2-5
	2-16. Load Connections	2-5
	2-22. Model 5200A to Model 5205A Connections	2-5
	2-24. Auxiliary Outputs	2-5
	2-27. External (Remote) Sensing	2-7
	2-29. Ground Connections	2-7
	2-31. Guard Connections	2-7
	2-33. External Frequency Input	2-7
	2-35. Output Accuracy	2-8
	2-43. LOCAL OPERATION (MANUAL)	2-9
	2-44. Turn-On Procedure	2-9
	2-46. Amplitude Selection	2-9
	2-48. Frequency Selection	2-9
	2-50. Voltage Error Measurement	2-10
	2-52. REMOTE OPERATION	2-10

TABLE OF CONTENTS, *continued*

SECTION	TITLE	PAGE
3	THEORY OF OPERATION	3-1
3-1.	INTRODUCTION	3-1
3-3.	SIMPLIFIED BLOCK DIAGRAM DESCRIPTION	3-1
3-10.	FUNCTIONAL BLOCK DIAGRAM DESCRIPTION	3-3
3-11.	Oscillator	3-3
3-14.	Power Amplifier Assembly	3-3
3-18.	Attenuator Assembly	3-3
3-23.	AC/DC Converter Assembly	3-4
3-27.	Oscillator Control Assembly	3-4
3-34.	Reference Assembly	3-5
3-39.	CIRCUIT DESCRIPTION	3-5
3-42.	Motherboard PCB Assembly, A2	3-9
3-44.	Switch PCB Assembly, A3	3-9
3-51.	Power Supply Assembly, A5 (A5A1, A5A2 and A5A3)	3-10
3-57.	Attenuator Assembly, A6	3-11
3-64.	Power Amplifier Assembly, A7	3-12
3-72.	AC-DC Converter Assembly, A8	3-13
3-78.	Oscillator Control Assembly, A9	3-14
3-88.	Oscillator Assembly, A10	3-16
3-92.	Reference Assembly, A12	3-16
4	MAINTENANCE	4-1
4-1.	INTRODUCTION	4-1
4-3.	SERVICE INFORMATION	4-1
4-6.	GENERAL MAINTENANCE	4-1
4-7.	Cleaning Instructions	4-1
4-9.	Fuse Replacement	4-1
4-11.	Line Voltage Selection	4-1
4-13.	Lamp Replacement	4-2
4-15.	Access to the Mainframe PCB Assemblies	4-2
4-17.	Power Supply Motherboard Removal	4-2
4-19.	Front Motherboard Removal	4-4
4-21.	Access to the Switch PCB Assembly	4-4
4-23.	PERFORMANCE VERIFICATION CHECKS	4-4
4-24.	Introduction	4-4
4-28.	Equipment Set-Up	4-5
4-30.	Output Accuracy Test-Voltage Ranges	4-5
4-36.	Output Accuracy Test-Millivolt Ranges	4-7
4-40.	Frequency Output Test	4-9
4-43.	Distortion Tests	4-9
4-46.	Overload Test	4-10
4-48.	Load Regulation Verification Test	4-11
4-50.	Line Regulation Test	4-11

TABLE OF CONTENTS, *continued*

SECTION	TITLE	PAGE
4-52.	Phase Lock	4-11
4-54.	Quadrature Output Test	4-12
4-56.	Voltage Error Control Test	4-12
4-58.	CALIBRATION PROCEDURES	4-12
4-59.	Introduction	4-12
4-61.	Equipment Preparation	4-12
4-63.	Power Supply Calibration	4-13
4-65.	Power Amplifier Bias Calibration.	4-13
4-67.	Special Calibrations	4-13
4-75.	Power Amplifier Zero Calibration	4-17
4-76.	Voltage Amplitude and Linearity Calibration	4-17
4-83.	Millivolt Amplitude Calibration	4-18
4-85.	Error Control Calibration	4-19
4-87.	TROUBLESHOOTING	4-19
4-88.	Troubleshooting Notes	4-19
4-93.	Troubleshooting Sequence	4-20
4-95.	Motherboard Assembly A2	4-20
5	LIST OF REPLACEABLE PARTS	5-1
5-1.	INTRODUCTION	5-2
5-4.	HOW TO OBTAIN PARTS	5-2
6	OPTION AND ACCESSORY INFORMATION	6-1
7	GENERAL INFORMATION	7-1
8	SCHEMATIC DIAGRAMS	8-1

List of Illustrations

FIGURE	TITLE	PAGE
1-1.	Equipment Dimensions	1-2
2-1.	Input Power Selection Switches, Location and Positions	2-2
2-2.	Front Panel Controls, Indicators and Terminals	2-2
2-3.	Rear Panel Connections	2-5
2-4.	Simple Load Connection (With Internal Sense)	2-5
2-5.	Calibrator Output Connectors, Pin Assignment	2-6
2-6.	External Sense Connections	2-7
2-7.	Guard Connections.	2-7
2-8.	Accuracy versus Output Connections	2-8
2-9.	Accuracy versus Harmonic Content	2-9
2-10.	Accuracy versus Low Order Odd Harmonic	2-9
3-1.	5200A Simplified Block Diagram	3-2
3-2.	5200A Functional Block Diagram	3-7
3-3.	Logic Signal Notation	3-9
3-4.	AC Sense Signal Processing	3-14
4-1.	PCB Assembly Locations	4-3
4-2.	Output Accuracy Test Equipment Configuration	4-6
4-3.	Output Accuracy Alternate Configuration	4-7
4-4.	Output Accuracy Millivolt Configuration	4-8
4-4A.	Low Frequency Distortion Tests	4-9
4-5.	Test Point and Adjustment Locations	4-14

LIST OF ILLUSTRATIONS, *continued*

FIGURE	TITLE	PAGE
4-6.	Labeled Adjustment Parts	4-15
4-7.	Phase Lock Calibration Configuration	4-17
5-1.	Dial Assembly View	5-4
5-2.	Front Panel View	5-6
5-3.	Interior View	5-8
5-4.	Readout Module View	5-10
5-5.	Assembled View	5-11
5-6.	PCB Assembly, Motherboard	5-13
601-1	Location of Address Matrix Card	601-1
601-2	RCU Mounting Location	601-2
601-3	Typical Serial Programming Connections	601-7
601-4	Typical Address Matrix Card Jumpers – Serial Program	601-9
601-5	Timing Requirements	601-10
601-6	Typical Address Matrix Card Jumpers – Parallel Program	601-12
601-7	RCU Serial Operation, Data Flow Diagram	601-13
601-8	RCU, Parallel Operation, Data Flow Diagram	601-15
605-1	IEEE Address Switches	605-2
605-2	IEEE Interface Block Diagram	605-5
8-1.	A2 Motherboard PCB Assembly (5200A-1010)	8-3
8-2	A3 Switchboard Assembly Component Location (5200A-1011)	8-4
8-3.	A3 Switchboard PCB Assembly (5200A-1011)	8-5
8-4.	A5 Power Supply Assembly Component Location (5200A-1020)	8-6
8-5.	A5 Power supply Assembly (5200A-1020)	8-7
8-6.	A6 Attenuator Assembly Component Location (5200A-1030)	8-8
8-7.	A6 Attenuator PCB Assembly (2 sheets) 5200A-1030)	8-9
8-8.	A7 Power Amplifier Assembly Component Location (5200A-1040)	8-12
8-9.	A7 Power Amplifier PCB Assembly (5200A-1040)	8-13
8-10.	A8 AC-DC Converter Assembly Component Location (5200A-1050).	8-14

LIST OF ILLUSTRATIONS, *continued*

FIGURE	TITLE	PAGE
8-11.	A8 AC-DC Converter PCB Assembly (3 sheets) 5200A-1050	8-15
8-12.	A9 Oscillator Control Assembly Component Location (5200A-1060)	8-20
8-13.	A9 Oscillator Control PCB Assembly (3 sheets) (5200A-1060).	8-21
8-14.	A10 Oscillator Assembly Component Location (5200A-1070)	8-26
8-15.	A10 Oscillator PCB Assembly (4 sheets) (5200A-1070)	8-27
8-16.	A11 Remote Control Unit Assembly Component Location (5200A-1080)	8-34
8-17.	A11 Remote Control Unit PCB Assembly (2 sheets) (5200A-1080)	8-35
8-18.	A12 Reference Supply Assembly Component Location (5200A-1090)	8-38
8-19.	A12 Reference Supply PCB Assembly (2 sheets)(5200A-1090)	8-39
8-20.	Inverter Assembly Component Location (5200A-1081)	8-42
8-21.	Inverter PCB Assembly (5200A-1081)	8-43
8-22.	A11 IEEE Interface (I/F) Assembly Component Location (5200-1686)	8-44
8-23.	A11 IEEE Interface (I/F) Assembly (2 Sheets) (5200-1086)	8-45

List of Tables

TABLE	TITLE	PAGE
2-1	Front Panel Controls, Indicators and Terminals	2-3
3-1	Attenuator PCB, Signal Path Summary	3-12
3-2	Frequency Range Relays	3-16
4-1	Test Equipment	4-4
4-2	Test Accessories	4-5
4-3	Output Voltage Accuracy Test Tolerances	4-6
4-4	Millivolt Ranges Output Accuracy Test Tolerances	4-8
4-5	Frequency Accuracy Test Tolerances	4-9
4-5A	Low Frequency Distortion Tests	4-9
4-6	Distortion Test Settings and Tolerances	4-10
4-7	Load Regulation Test Values and Tolerances	4-11
4-8.	Main Program	4-21
4-9.	Switchboard Assembly A3	4-23
4-10.	Power Supply Assy. A5	4-28
4-11.	Attenuator Assembly A6	4-33
4-12.	Power Amplifier Assembly A7	4-36
4-13.	AC-DC Converter PCB Assembly, A8	4-44
4-14.	Oscillator Control Assembly A9	4-49
4-15.	Oscillator PCB Assembly A10	4-55
4-16..	Reference Assembly A12	4-59
4-17.	Standard Inside The Guard Regulator Voltages (Regulator Subassembly)	4-63
4-18.	Floating Inside the Guard Regulator Voltages (Regulator Subassembly)	4-63

LIST OF TABLES, *continued*

TABLE	TITLE	PAGE
4-19.	Outside the Guard Regulator Voltages (Power Supply Subassembly)	4-63
4-20.	Power Supply R6 Replacement Values	4-63
4-21.	Attenuator Output and Sense Signal Paths - Operate Mode	4-64
4-22.	Power Amp and Attenuator Output and Substitute Sense Signal Paths—Standby Mode	4-64
4-23.	Attenuator Mode & Voltage Range Logic Inputs and Outputs	4-65
4-24.	Attenuator Frequency, Range Logic	4-65
4-25.	AC-DC Converter Buffer Amplifier Test Points	4-66
4-26.	Oscillator Control Assembly Test Points	4-66
4-27.	Oscillator Control Assembly HI-Freq. Roll off Compensator Checks	4-66
4-28.	Oscillator Control Frequency Range Test Points	4-67
4-29.	Oscillator Assembly Frequency Magnitude Switch Logic	4-68
5-1	Final Assembly	5-3
5-2	Motherboard, PCB Assembly, A2	5-12
5-3	Switch PCB Assembly, A3	5-14
5-4	Power Supply Mother PCB Assembly, A5	5-17
5-5	Power Supply PCB Subassembly, A5A1	5-19
5-6	Regulator PCB Subassembly, A5A2	5-21
5-7	Transformer PCB Subassembly, A5A3	5-24
5-8	Attenuator PCB Assembly, A6	5-25
5-9	Power Amplifier, PCB Assembly, A7	5-28
5-10	AC-DC Converter PCB Assembly, A8	5-35
5-11	Oscillator Control PCB Assembly, A9	5-42
5-12	Oscillator PCB Assembly, A10	5-51
5-13	Reference PCB Assembly, A12	5-59
600-1	5200A Accessories	600-1
601-1	Card-Edge Connector Pin Assignments	601-3
601-2	Frequency Range Coding	601-6
601-3	Amplitude Range Coding	601-6
601-4	Typical Byte Assignment for Serial Programming	601-8
601-5	—01 Remote Control Assembly	601-16

(continued on page ix)

LIST OF TABLES, *continued*

TABLE	TITLE	PAGE
602-1	50-400 Hz Option (–02) Parts List	602-1
603-1	RCU Input Signal Inverter Option (–03), Parts List	603-2
605-1	Allowable Listen and Talk Addresses	605-2
605-2	Programming Instructions	605-3
605-3	Interrupt Codes	605-3
605-4	Voltage and Frequency Instructions	605-3
605-5	Serial Poll Status Byte	605-4
605-6	Status Message, Serial Poll Disabled	605-4
605-7	Troubleshooting	605-7
605-8	IEEE-488 Interface Option –05	605-11

Section 1

Introduction & Specifications

1-1. INTRODUCTION

1-2. The Model 5200A is a guarded, precision AC Calibrator designed for use in calibration laboratories and in manufacturing environments. The Calibrator provides accurate ac voltages from 100 μ V to 120V rms, at currents up to 50 mA, and at frequencies from 10 Hz to 1.2 MHz.

1-3. The amplitude of the output voltage is controlled by a range selector switch and six decade switches. Any of seven amplitude ranges (1mV, 10 mV, 100 mV, 1V, 10V, 100V, and 1000V) may be selected. (The 1000V range is used only in conjunction with a companion unit, the Model 5205A Precision Power Amplifier). The decade switches can then be set for any value from 10 to 120 percent of the selected range (each range has a 20 percent overrange capability). Six-digit resolution within the selected range provides steps as small as 1 nV in the 1 mV range through 100 μ V in the 100V range (and 1 mV steps in the 1000V range). The amplitude can be offset up to either ± 0.3 percent or ± 3 percent (selectable) by means of a voltage error measurement feature. This feature provides direct indications of percentage error during calibration of voltmeters.

1-4. The frequency of the output voltage is similarly controlled by a range selector switch and four decade switches. Any of five frequency ranges (100 Hz, 1 kHz, 10 kHz, 100 kHz, and 1 MHz) may be selected. The decade switches can then be set for any value from 10 to 120 percent of the selected range. Four-digit resolution within the selected range provides steps as small as 0.01 Hz in the 100 Hz range through 100 Hz in the 1 MHz range. If desired, the frequency can be phase-locked to an external reference source connected by coaxial cable to a BNC connector on the rear panel. The accuracy of the phase-lock feature is ± 1 degree (nominal).

1-5. The selected output of the 5200A is available at output connectors located on both the front and the rear panels. The front panel connectors are banana-type jacks and are provided for high and low output lines, high and low sense input lines, guard, and ground. The rear panel connectors are a pair of pcb card-edge connectors accessed through openings in the panel. One of the connectors provides interconnection to the Model 5205A Precision Power Amplifier (when used), and the other provides the selected calibrator output (except ground) to any other external equipment requiring it.

1-6. In addition to the regular calibrator outputs, a quadrature output and a counter output are available at BNC connectors on the rear panel. The quadrature output leads the regular output in phase by 90 degrees. The amplitude of the quadrature output is proportional to the setting of the amplitude control decade switches. Regardless of the range selected, the rms amplitude of this output will be anywhere from 1V, at minimum setting, to 12V, at maximum setting. At full-range (100 percent) setting, the amplitude will be 10V rms. The counter output is the same frequency as the other outputs, but in pulse form. The pulses are fixed in amplitude at +3V peak, and vary in width according to the selected frequency range.

1-7. Output overload protection is provided to limit output current. When an output overload occurs, the calibrator automatically enters the limit mode. When the normal load is restored, the calibrator automatically reverts to the operate mode.

1-8. All operating functions, except primary power switching and voltage error measurement, can be remotely programmed upon installation of the Remote Control Unit pcb assembly (–02 option). Programming requirements are

TTL compatible, or contact closures to ground. Connection of the programming control lines to the Remote Control Unit is by means of a card-edge connector accessed through an opening in the rear panel of the 5200A.

1-9. The 5200A may be bench or 19 inch rack mount-

ed. (The overall dimensions of the unit are shown in Figure 1-1.) Input power requirements are 100, 115, 200, or 230V ac ± 10 percent, 50 to 60 Hz, 150VA. A 50-to-400 Hz Input Power Modification (-02 option) is available to permit the unit to operate from 400 Hz, as well as 50- and 60- Hz, power lines.

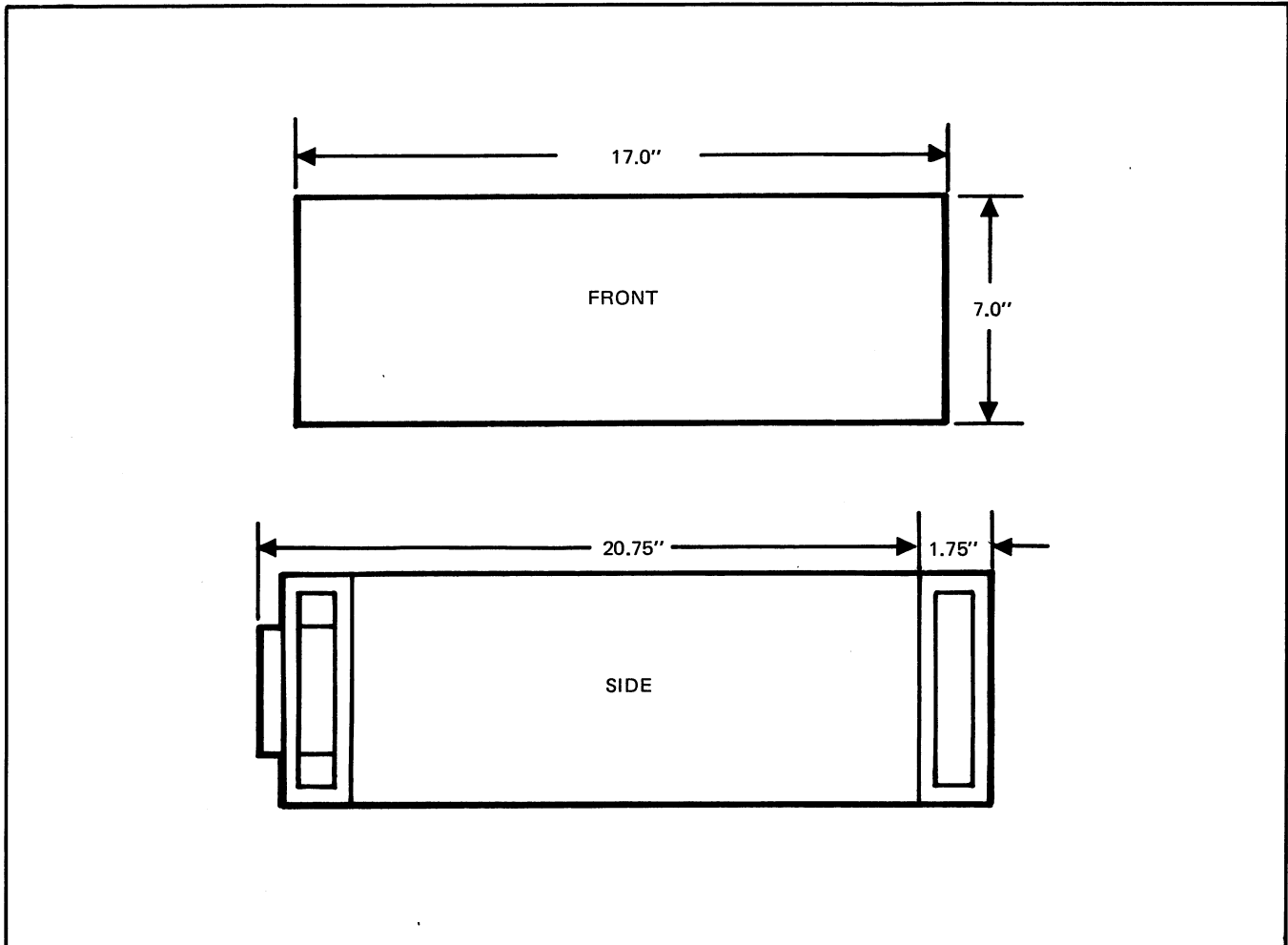


Figure 1-1. EQUIPMENT DIMENSIONS

1-10. SPECIFICATIONS

VOLTAGE RANGES

1 mV, 10 mV, 100 mV, 1V, 10V, 100V
(1000V with 5205A Power Amplifier)

Overrange

20% on all ranges (120V maximum)
(1100V with 5205A Power Amplifier)

Range Limits

10% to 120% (100 μ V and above)

Resolution

0.0001% of Range (1 nV on 1-mV range)

FREQUENCY RANGES

100 Hz, 1 kHz, 10 kHz, 100 kHz, 1 MHz

Overrange

20% on all ranges (1.2 MHz maximum)

Range Limits

10% to 120% (10 Hz and above)

Resolution

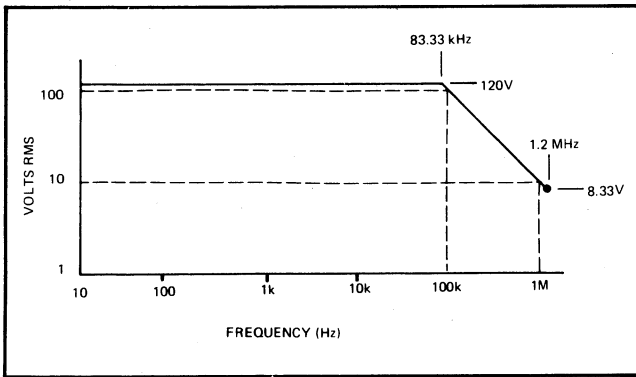
0.01% of Range (.01 Hz on 100-Hz Range)

$\pm 0.1\%$ of Range (100 kHz Range)

$\pm 1.0\%$ of Range (1MHz Range)

MAXIMUM OUTPUT VOLTAGE

120V rms, up to 83.33 kHz. Beyond that, maximum output voltage decreases as frequency increases. At highest frequency (1.2 MHz), maximum output voltage is 8.33V rms. Maximum volt-hertz product is 1.0×10^7 or $1.0 \times 10^7 \times (\text{Voltage Range}/10)$, whichever is less (See graph below).



RESPONSE TIME

For any programmed amplitude, the output voltage and frequency will settle to within 0.01% of change as follows:

10 Hz - 30 Hz	4 to 15 seconds
30 Hz - 100 Hz	4 seconds
100 Hz - 400 Hz	2 seconds
400 Hz - 1 MHz	1 second*

The output will recover from short circuits and overload conditions within the specified settling time.

*Typically below 0.5 seconds from 400 Hz to 1.2 MHz except for frequency range changes.

TOTAL HARMONIC DISTORTION AND LINE RELATED NOISE

(Bandwidth 10 Hz to 10 MHz) Effects of broadband noise included in accuracy specification for both RMS and average responding instruments.

10 Hz to 100 kHz.	. . .	0.04% of setting +10 μ V rms *†
100 kHz to 500 kHz.	. . .	0.3% of setting +30 μ V rms
500 kHz to 1 MHz	. . .	1% of setting +30 μ V rms

*For output currents exceeding 15 mA, see below:

†The specification on the 1-Volt range between 10 Hz and 15 Hz is 0.08% of setting + 10uV rms.

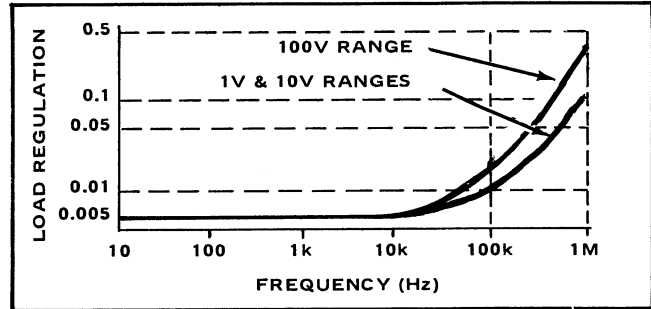
20 kHz to 100 kHz

$$\left[0.04 + \left(\frac{0.3}{V} \right) \left(\frac{F}{100} \right) \left(\frac{I}{50} \right)^2 \right] \%$$

V = volts, F = kHz, I = mA

LOAD REGULATION (EXT. SENSE MODE)

0.005% of selected range, no load to full load, up to 10 kHz. Beyond that, regulation is a function of both range and frequency selected (See following graph).



NOTE: Output impedance on the 1-mV through 100-mV ranges in less than 1.5 Ω in series with 1.5 μ H.

LINE REGULATION

$\pm 0.001\%$ of setting for a 10% change in line voltage.

EXTERNAL FREQUENCY PHASE LOCK INPUT

The oscillator of the 5200A has the capability of being phased locked to an external signal. Phase lock accuracy is $\pm 3^\circ$ below 30 Hz, and $\pm (1^\circ + 0.05^\circ \text{ per kHz})$ over a $\pm 2\%$ band around the center frequency, (BNC connector on rear panel). Input is 1 volt to 10 volts rms (useable down to 100mV rms).

QUADRATURE OUTPUT

(Minimum Load $Z = 3 \text{ k}\Omega$)

Amplitude

10V rms $\pm 10\%$ when 100% of range is selected. Quadrature amplitude is proportional to the dialed output voltage from 10% to 100% of Range. (BNC connector on rear panel.)

Phase

$90^\circ \pm (1^\circ + 0.03^\circ \text{ per kHz})$, 40 Hz to 1.2 MHz.

$90^\circ \pm 3^\circ$, 10 Hz to 40 Hz

COUNTER OUTPUT

Auxiliary frequency counter output (BNC Connector) on rear panel; 3V pulse, short circuit protected.

EXTERNAL SENSE

A two position switch is provided to control Internal or External Sensing on the 1V, 10V, and 100V ranges. When in Remote Sense (1, 10 and 100V ranges) and the sense leads are accidentally disconnected, the output voltage will not exceed the programmed setting by more than 2.0 volts.

VOLTAGE ERROR MEASUREMENT

0 to $\pm 0.3\%$ with 0.001% resolution

0 to $\pm 3\%$ with 0.01% resolution

An "OFF" error switch position is provided to easily lock out the error measurement function which is automatically disabled in program mode.

OUTPUT TERMINALS

High, Low, High Sense, Low Sense, Guard, and Ground terminals on front and rear panels. Front panel terminals are five-way binding post. Rear panel terminals are pins of a pcb card-edge connector, with mating connector supplied (P/N 337675).

LOCAL/REMOTE OPERATION

Two-position CONTROL switch, interlocked with the optional remote programming function. In the LOCAL position, all control is implemented from the front panel switches. In the REM position, control is obtained via the programming lines through a rear panel connector. When the REMOTE function is called on the programming line, the 5200A will be locked in the Remote condition (regardless of the position of the CONTROL switch), disabling the error measurement control and all other front panel controls except the POWER switch. When the LOCAL function is called on the programming line, the 5200A may be operated in either the Local or the Remote condition, at the operator's discretion.

SAFETY FEATURES

When the ac power is turned on, the instrument is automatically set to the Standby condition. When in Remote Sense and the sense leads are accidentally disconnected, the output voltage will not exceed 2.0 volts above the programmed setting on the 1V thru 100V ranges. The 1 mV thru 100 mV ranges are not affected.

CALIBRATION REQUIREMENTS

The 5200A is calibrated at the factory by instrumentation traceable to the National Bureau of Standards. Periodic calibration of the 1V, 10V, and 100V ranges may be accom-

plished through the use of a thermal transfer standard and a precision dc source, such as the Fluke Models 540B and 332D. The accuracy on the 1-, 10-, and 100 mV ranges depends on precision inductive dividers which are tested at the factory with special verification equipment, and do not require periodic adjustment. All other adjustments can be made with general purpose laboratory equipment.

GENERAL

Input Power

100, 115, 200, 230V ac $\pm 10\%$ (switch selectable), 50 to 60 Hz (50-to-400-Hz Option available, 150 VA).

Maximum Isolation Voltages

500V dc or peak ac, "Guard" to "Chassis"

100V dc or peak ac, "Lo" to "Guard"

Dimensions

7" (178 mm) x 17" (432 mm) x 21.75" (533 mm)

Weight

53 pounds (24 kg)

ENVIRONMENTAL

Cooling

Forced air cooled. Air intake through re-useable filter on rear panel. Air exit along both sides.

Temperature

0°C to 50°C, operating
-40°C to +75°C, storage

Relative Humidity

0 to 80 percent (0°C to +40°C)
0 to 70 percent (+40°C to +50°C)

Shock

15G, 11-ms half-sine wave

Vibration

3.1G, 10 Hz to 55 Hz

Altitude

0 to 10,000 feet, operating
50,000 feet, non-operating

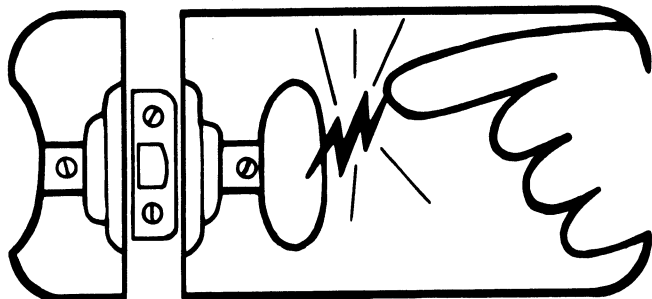
Protection Class 1 (relates solely to insulation and grounding properties further defined in IEC 348.)



static awareness



A Message From
John Fluke Mfg. Co., Inc.

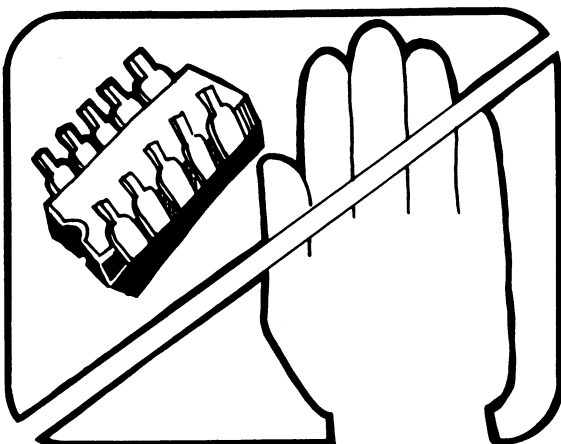


Some semiconductors and custom IC's can be damaged by electrostatic discharge during handling. This notice explains how you can minimize the chances of destroying such devices by:

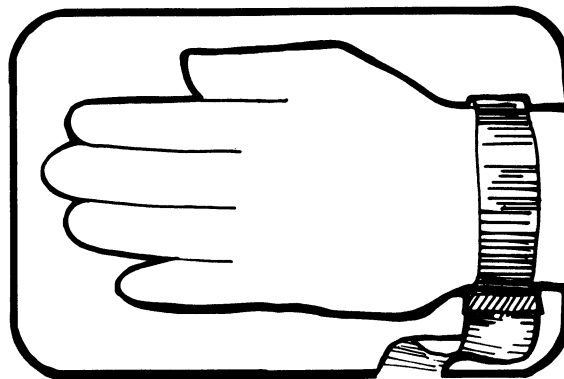
1. Knowing that there is a problem.
2. Learning the guidelines for handling them.
3. Using the procedures, and packaging and bench techniques that are recommended.

The Static Sensitive (S.S.) devices are identified in the Fluke technical manual parts list with the symbol "⊗"

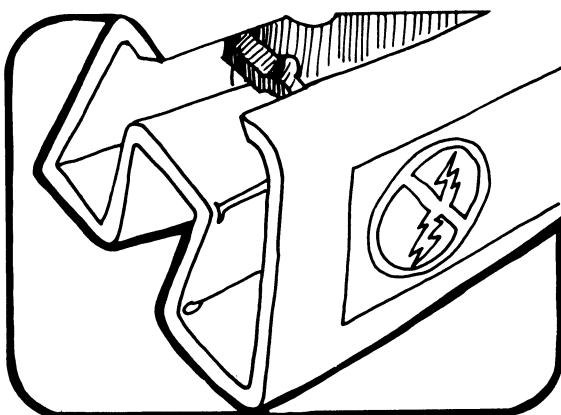
The following practices should be followed to minimize damage to S.S. devices.



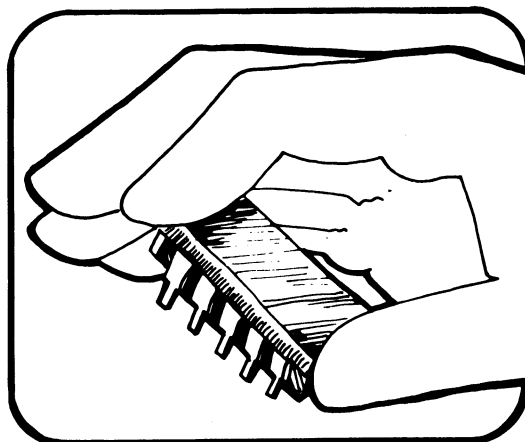
1. MINIMIZE HANDLING



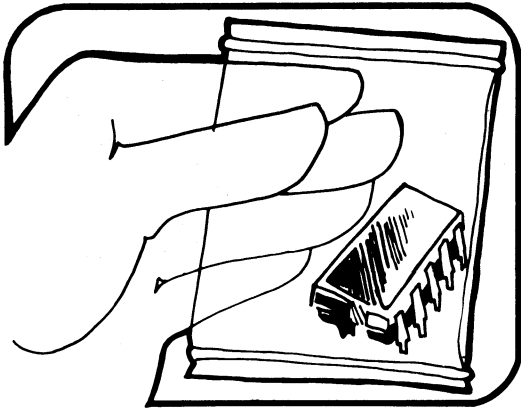
3. DISCHARGE PERSONAL STATIC BEFORE HANDLING DEVICES



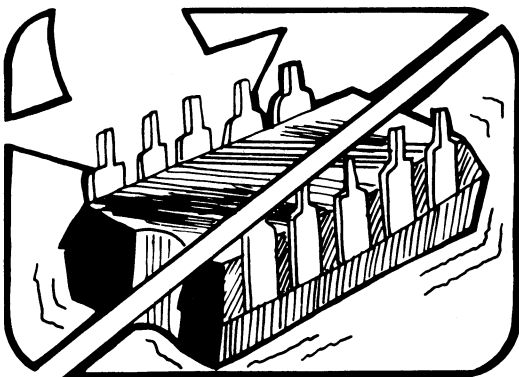
2. KEEP PARTS IN ORIGINAL CONTAINERS UNTIL READY FOR USE.



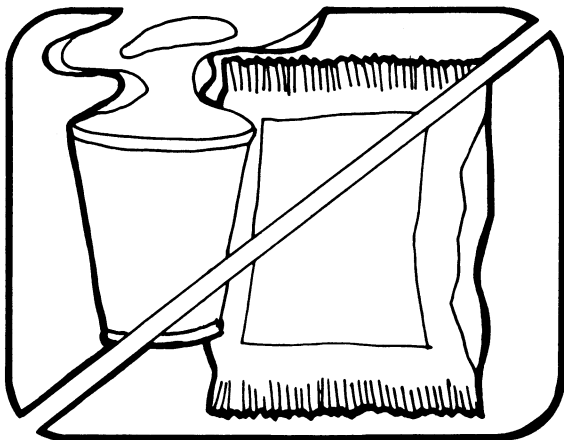
4. HANDLE S.S. DEVICES BY THE BODY



5. USE ANTI-STATIC CONTAINERS FOR HANDLING AND TRANSPORT

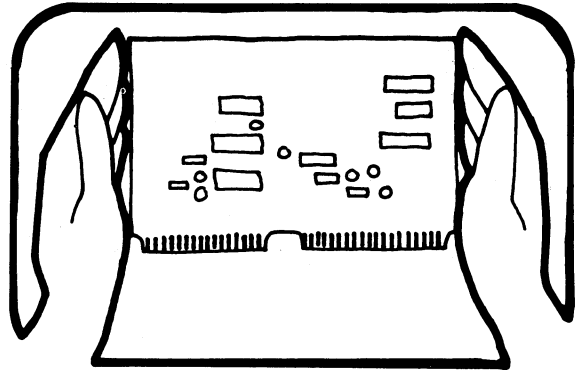


6. DO NOT SLIDE S.S. DEVICES OVER ANY SURFACE

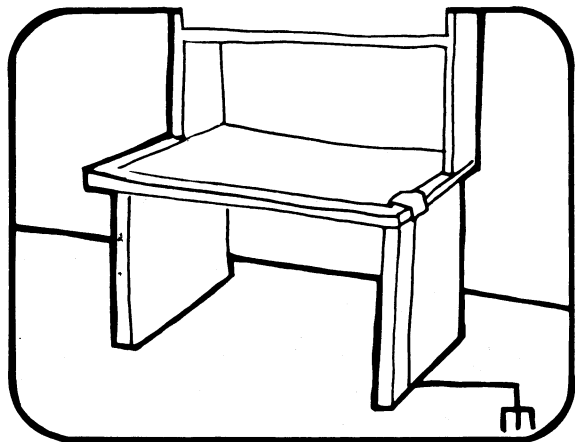


7. AVOID PLASTIC, VINYL AND STYROFOAM® IN WORK AREA

PORTIONS REPRINTED
WITH PERMISSION FROM TEKTRONIX, INC.
AND GENERAL DYNAMICS, POMONA DIV.



8. WHEN REMOVING PLUG-IN ASSEMBLIES, HANDLE ONLY BY NON-CONDUCTIVE EDGES AND NEVER TOUCH OPEN EDGE CONNECTOR EXCEPT AT STATIC-FREE WORK STATION. PLACING SHORTING STRIPS ON EDGE CONNECTOR USUALLY PROVIDES COMPLETE PROTECTION TO INSTALLED SS DEVICES.



- 9. HANDLE S.S. DEVICES ONLY AT A STATIC-FREE WORK STATION
- 10. ONLY ANTI-STATIC TYPE SOLDER-SUCKERS SHOULD BE USED.
- 11. ONLY GROUNDED TIP SOLDERING IRONS SHOULD BE USED.

Anti-static bags, for storing S.S. devices or pcbs with these devices on them, can be ordered from the John Fluke Mfg. Co., Inc.. See section 5 in any Fluke technical manual for ordering instructions. Use the following part numbers when ordering these special bags.

John Fluke Part No.	Description
680892	5" x 8" Bag
680934	8" x 10" Bag
680942	8" x 12" Bag
680983	12" x 16" Bag
681023	18" x 18" Bag

Pink Poly Sheet	Wrist Strap
30" x 60" x 60 Mil	P/N TL6-60
P/N RC-AS-1200	\$7.00
\$20.00	

Section 2

Operating Instructions

2-1. INTRODUCTION

2-2. This section contains information regarding installation and operation of the Model 5200A AC Calibrator. It is recommended that the contents of this section be read and understood before any attempt is made to operate the calibrator. Should any difficulties arise during operation, please contact your nearest John Fluke Sales Representative or the John Fluke Mfg. Co., Inc., P.O. Box 43210, Mountlake Terrace, WA 98043; telephone (206) 774-2211. A list of Sales Representatives is located in Section 7 of this manual.

2-3. SHIPPING INFORMATION

2-4. The Model 5200A is packaged and shipped in a foam-packed container. Upon receipt of the equipment, a thorough inspection should be made to reveal any possible shipping damage. Special instructions for inspection and claims are included in the shipping carton.

2-5. If reshipment of the equipment is necessary, the original container should be used. If the original container is not available, a new container can be obtained from the John Fluke Mfg. Co., Inc. Please reference the equipment model number when requesting a new shipping container.

2-6. INPUT POWER

2-7. The 5200A can be operated from a 100, a 115, a 200 or a 230V ac, 50 to 60 Hz, power line. (Installation of the -02 option permits operation from a 400 Hz power

line.) Before connecting the equipment to primary power, check and, if necessary, set the input power selection switches as follows:

- a. Remove the top dust cover.
- b. Remove the inner cover located in the right section (as viewed from the top front).
- c. Locate the input power selection switches shown in Figure 2-1.
- d. Set the two slide switches to accommodate the local line voltage. The different switch position combinations are printed on the printed circuit board.
- e. Replace the inner and top dust covers.
- f. Install the proper fuse (i.e. 1½A slo-blo for 100 and 115 vac, and ¾A slo-blo for 200 Vac line voltage) in the rear panel fuse holder.

2-8. RACK INSTALLATION

2-9. The 5200A is designed for bench-top use or for installation in a standard 19 inch equipment rack using the optional Accessory Rack Mounting Kit (part number M07-205-600). Accessory chassis slides (part number M00-208-610) can also be installed to better facilitate access to the rack-installed equipment. Information regarding installation of the mounting accessories is given in Section 6, Rack Installation subsection.

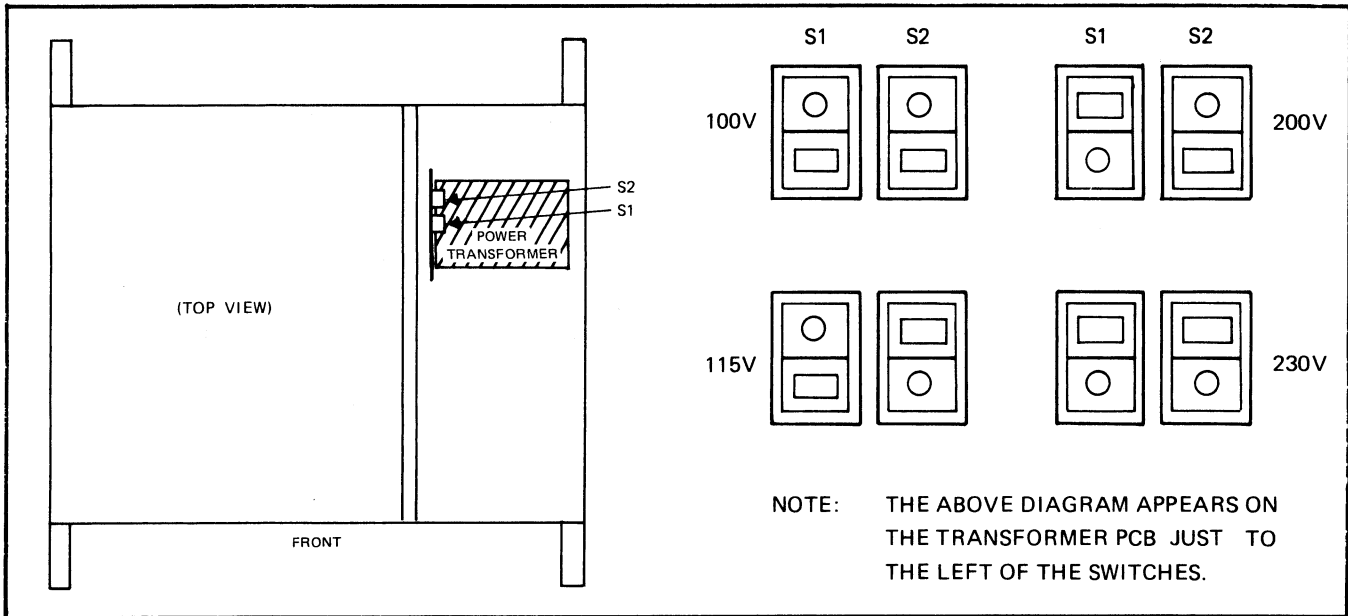


Figure 2-1. INPUT POWER SELECTION SWITCHES, LOCATION AND POSITIONS.

2-10. OPERATING FEATURES

are shown in Figure 2-2. The items shown are listed in numerical order in Table 2-1, together with the name and function of each.

2-11. The front panel controls, indicators and terminals

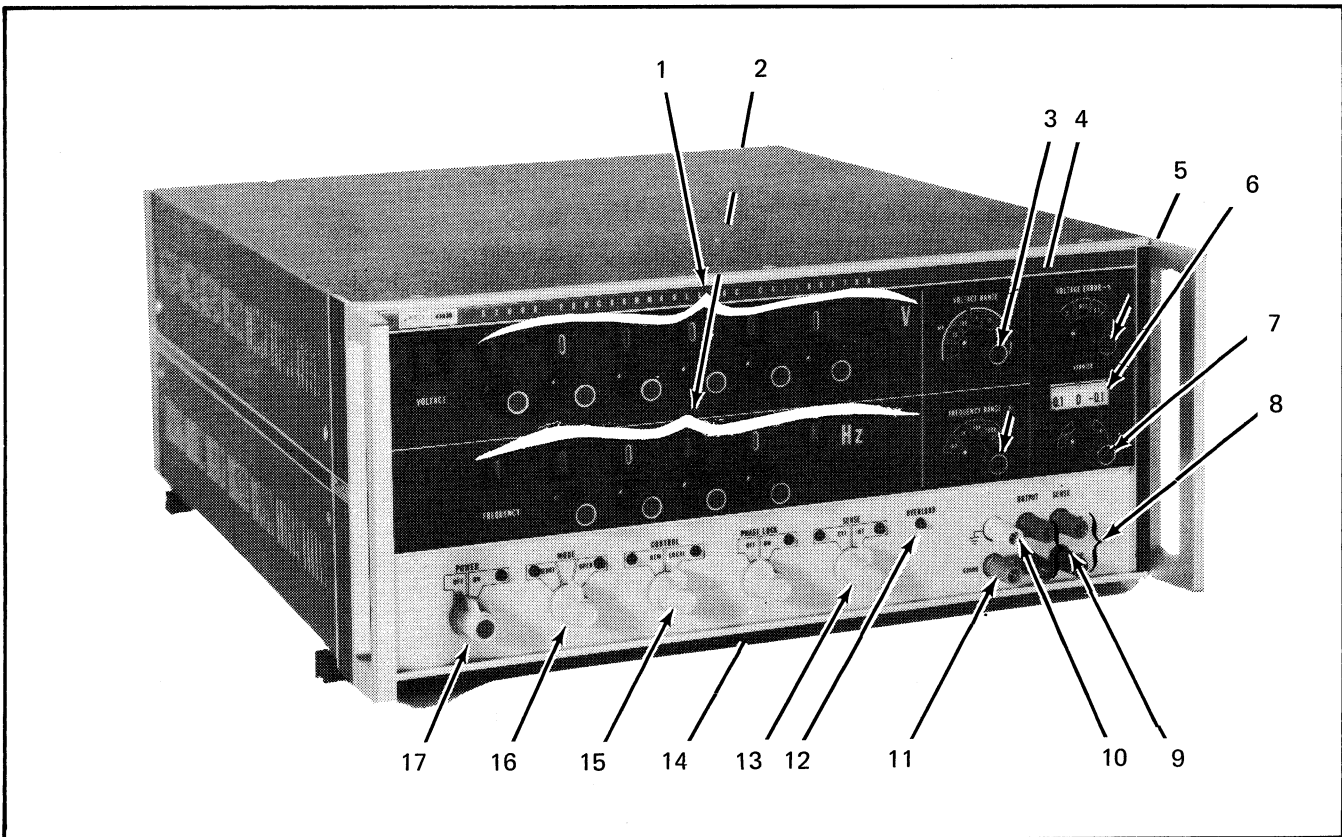


Figure 2-2. FRONT PANEL CONTROLS, INDICATORS AND TERMINALS

Table 2-1. FRONT PANEL CONTROLS, INDICATORS AND TERMINALS.


FIG. & INDEX NO.	NAME	FUNCTION
2-2, 1	VOLTAGE Selection Switches	Select desired calibrator output voltage (within range selected by VOLTAGE RANGE switch). Position of each switch is displayed in window above switch; windows form a readout that displays selected voltage. Leftmost switch has 11 positions (.1 thru 1.1 range) to provide 20% overrange; rest of switches have 10 positions (0 thru 9).
2	FREQUENCY Selection Switches	Select desired calibrator output frequency (within range selected by FREQUENCY RANGE switch). Operation of switches in same as VOLTAGE selection switches (direct readout of selected frequency, and 20% overrange capability).
3	VOLTAGE RANGE Switch	Selects desired output voltage range. Controls decimal point location in VOLTAGE readout. Also controls prefix for unit of measurement (window to left of "V" will be blank or have the prefix "m", depending upon range selected).
4	FREQUENCY RANGE-Hz Switch	Selects desired output frequency range. Controls decimal point location in FREQUENCY readout. Also controls prefix for unit of measurement (window to left of "Hz" will be blank or have either "K" or "M" for a prefix, depending upon range selected).
5	VOLTAGE ERROR —% Switch	Enables voltage error measurement feature and selects multiplier for VERNIER scale indication. When in X1 position, indication is read directly; when in X.1 position, indication must be multiplied by 0.1 (divided by 10). <i>NOTE: If the switch is left in the error position the error selected by the switch and dial positions are automatically entered on all outputs.</i>
6	VERNIER Scale	Indicates voltage error of instrument under test in percent of selected calibrator output, when voltage error measurement feature is enabled and instrument under test is brought to proper indication by VERNIER \pm control. Highest graduations are ± 3.0 , subject to selected multiplier.
7	VERNIER \pm Control	Adjusts output of calibrator up to $\pm 3\%$ when voltage error measurement feature is enabled, bringing instrument under test to proper indication, in order to determine amount of voltage error.
8	SENSE HI, SENSE LO Terminals	Provide front panel connection to sense inputs for external sensing (1V, 10V and 100V ranges only).
9.	OUTPUT HI, OUTPUT LO terminals	Provide front panel connection to calibrator output.
10	 (Ground) Terminal	Provides front panel connection to chassis, and to earth ground when power cord is properly connected. Refer to paragraph 2-30.
11	GUARD Terminal	Provides front panel connection to internal guard shield and is used to reduce effects of common-mode voltages. Refer to paragraph 2-32.

Table 2-1. FRONT PANEL CONTROLS, INDICATORS AND TERMINALS (Contd.)

FIG. & INDEX NO.	NAME	FUNCTION
2-2, 12	OVERLOAD Indicator	Lights to indicate overloaded calibrator output, and remains lit until overload condition is removed.
13	SENSE Switch and Indicators	<p>Selects desired sensing mode:</p> <p>INT Enables internal sensing mode (local sensing); sensing takes place at the output of Attenuator Assembly, A6.</p> <p>EXT Enables external sensing mode (remote sensing); sensing takes place at load, when sensing leads are connected between load and SENSE terminals. (Can only be selected on V ranges; on mV ranges, internal sensing is automatically selected.)</p>
14	PHASE LOCK Switch and Indicator	<p>Indicator for selected sensing mode lights.</p> <p>Switches phase lock feature on and off. When in ON position, causes oscillator to phase-lock to external reference signal applied to appropriate rear panel BNC connector. Refer also to paragraph 2-34. Indicator lights when phase lock is switched on.</p> <p><i>NOTE: If the PHASE LOCK Switch is ON and no phase reference signal is present the output frequency will be at the lower end of the search pattern.</i></p>
15	CONTROL Switch and Indicators	<p>Selects desired calibrator control mode:</p> <p>REM Places calibrator in remote control mode by enabling remote interface (Option -01) and inhibiting front panel controls, except for POWER switch.</p> <p>LOCAL Places calibrator in local control mode by enabling front panel controls.</p>
16	MODE Switch and Indicators	<p>Indicator for selected control mode lights.</p> <p>Selects the desired calibrator operating mode:</p> <p>STDBY Places calibrator in standby mode by removing selected output voltage from output terminals.</p> <p>OPER Places calibrator in normal operating mode. If the 1000V range is selected but a 5205A is not connected the mode switch will not go into operate.</p>
17	POWER Switch and Indicator	<p>Indicator for selected operating mode lights.</p> <p><i>NOTE!</i> <i>The calibrator automatically reverts to standby after a 30 second warm-up delay when power is initially applied.</i></p> <p>Switches calibrator on and off. Indicator lights when power is switched on.</p>

2-12. OPERATING NOTES

2-13. The following paragraphs describe various conditions which should be considered before operating the 5200A.

2-14. AC Line Connection

2-15. The input power cord plug is a three-prong polarized connector which permits connection to any of the power line voltages described in paragraph 2-6. Ensure that the round pin is connected to a high quality earth ground. The 5200A is energized by means of the front panel POWER switch.

2-16. Load Connections

2-17. Connection of the load (i.e. the voltmeter or other device or system using the calibrator output) to the 5200A may be made at the front panel, or at either of two rear panel connectors. The front panel connectors are shown in Figure 2-2; the rear panel connectors are shown in Figure 2-3.

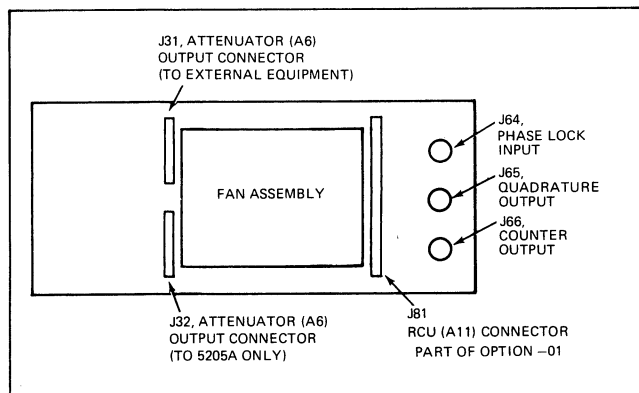


Figure 2-3. REAR PANEL CONNECTORS

2-18. FRONT PANEL

2-19. Front panel terminals permit connection of the load in several different configurations as shown in Figures 2-4, 2-6 and 2-7. Figure 2-4 shows a simple load connection with neither sensing or guarding (from common mode voltages). Sense connections are described in paragraph 2-27 and guard connections are described in paragraph 2-31.

2-20. REAR PANEL

2-21. A pair of printed circuit board edge connectors is accessible through openings in the rear panel when the cover plates are removed. The lower connector (shown in Figure 2-3) provides connection to the companion Model 5205A Precision Power Amplifier as described in paragraph 2-22,

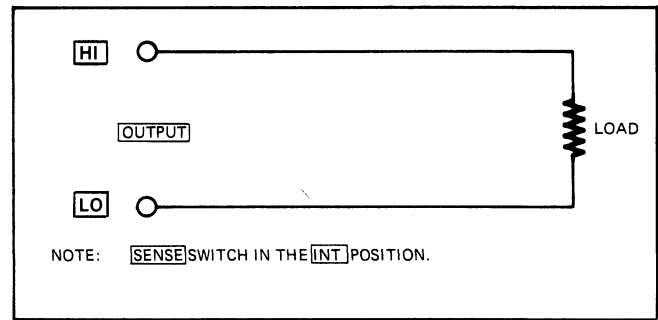


Figure 2-4. SIMPLE LOAD CONNECTION (WITH INTERNAL SENSE).

while the upper connector provides the calibrator output to any other external equipment by means of a user-supplied cable and a 5200A-4023 *(A6A1) connector assembly. The pin assignments of the printed circuit board output connector are shown in Figure 2-5 and should be referenced when constructing the interconnecting cable. If the guard feature is to be used, the interconnecting cable must be shielded. Refer also to the guard connection information contained in paragraph 2-31, and the sense connection information contained in paragraph 2-27.

*P/N 346577 (See A6A1 Parts Listing).

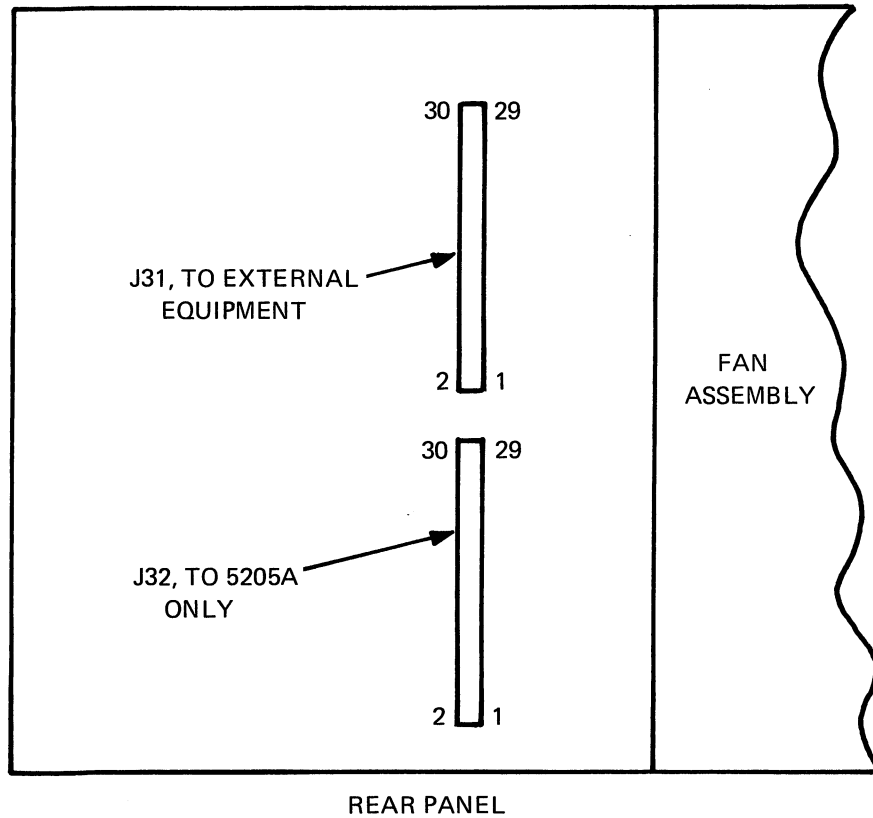
2-22. Model 5200A to Power Amplifier (5205A/5215A Connections)

2-23. The 5200A AC Calibrator output can be extended past its normal maximum 120V ac output by connecting it to either of the Fluke precision amplifiers available. Either the Model 5205A or Model 5215A can be connected to the 5200A with the cable (Fluke Part Number 341560) provided with the power amplifier. The cable mates to J32, on the 5200A (see Figure 3-2) and the 25-pin connector on the rear panel of the power amplifier marked 5200A.

2-24. Auxiliary Outputs

2-25. The 5200A is equipped with a pair of auxiliary outputs which appear at BNC connectors on the rear panel as shown in Figure 2-3. The upper connector provides a signal which leads the fundamental (main) output by 90 degrees and which has an amplitude proportional to that of the selected fundamental output. This output (quadrature) has a maximum amplitude of 10V rms, $\pm 10\%$ when the VOLTAGE decade switches are set to 100 percent of any selected amplitude range, and is reduced proportionally to 1V at the 10 percent setting.

2-26. A second auxiliary output provides a 3 volt pulse signal for application to an external frequency counter. The counter output is short-circuit protected and appears at a BNC connector shown in Figure 2-3.



J31		J32	
PIN NO.	FUNCTION	PIN NO.	FUNCTION
2	GUARD CONNECTION	1	5205A STANDBY STATUS
19	SENSE INPUT-LOW	3	5205A CONTROL
22	CALIBRATOR OUTPUT-LOW	5	+5V RETURN
27	SENSE INPUT-HIGH	7	+5V SUPPLY
29	CALIBRATOR OUTPUT-HIGH	11	5205A OPERATE COMMAND
		15	5205A OVERLOAD TRIP
		21	GUARD CONNECTION
		23	5205A SENSE-HIGH
		25	5205A INPUT-HIGH
		27	5205A INPUT-LOW
		29	5205A SENSE-LOW

Figure 2-5. CALIBRATOR OUTPUT CONNECTORS, PIN ASSIGNMENT

2-27. External (Remote) Sensing

2-28. When a load is connected to the calibrator output, and when the IR drop across the output leads is significant, the rated accuracy of the calibrator is available at the load if external sensing is used. High and low sense terminals and connectors are provided for this purpose, on the front panel output and on both of the rear panel outputs, and may be used when operating in the 1V, 10V and 100V ranges only. (Internal sensing is automatically selected on all three mV ranges, regardless of the position of the SENSE switch.) Polarities must be matched with the output terminals. Figure 2-6 shows a typical calibrator output connection using the external sense feature, but not the guard feature.

CAUTION!

When the external sense function is not being used, the front panel SENSE switch must be in the INT position in order to prevent higher-than-selected output voltages.

2-29. Ground Connections

2-30. A ground terminal is provided at the front panel output. The ground terminal is connected directly to the equipment chassis and to earth ground via the power cord. Note that no connection to chassis is provided at the two rear panel Attenuator output connectors.

2-31. Guard Connections

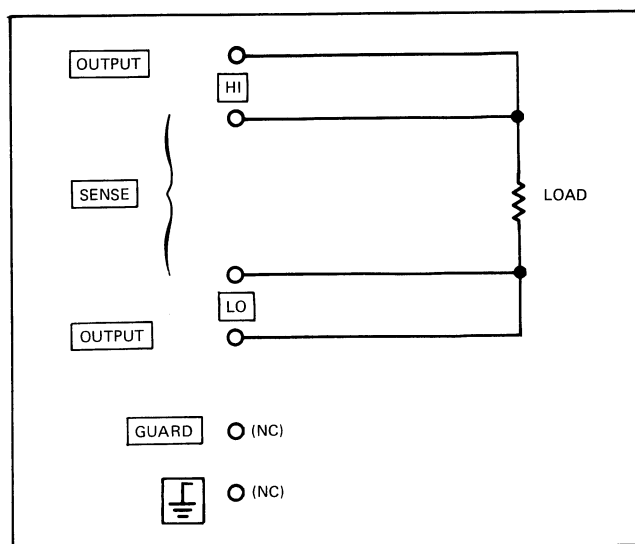


Figure 2-6. EXTERNAL SENSE CONNECTIONS

2-32. The calibrator is equipped with a guard shield that isolates its internal circuitry from the chassis and earth ground. Guard terminals and connectors are provided at the front panel and both rear panel calibrator outputs, and when used, greatly reduce errors caused by common-mode voltages. A typical connection of a load to the calibrator

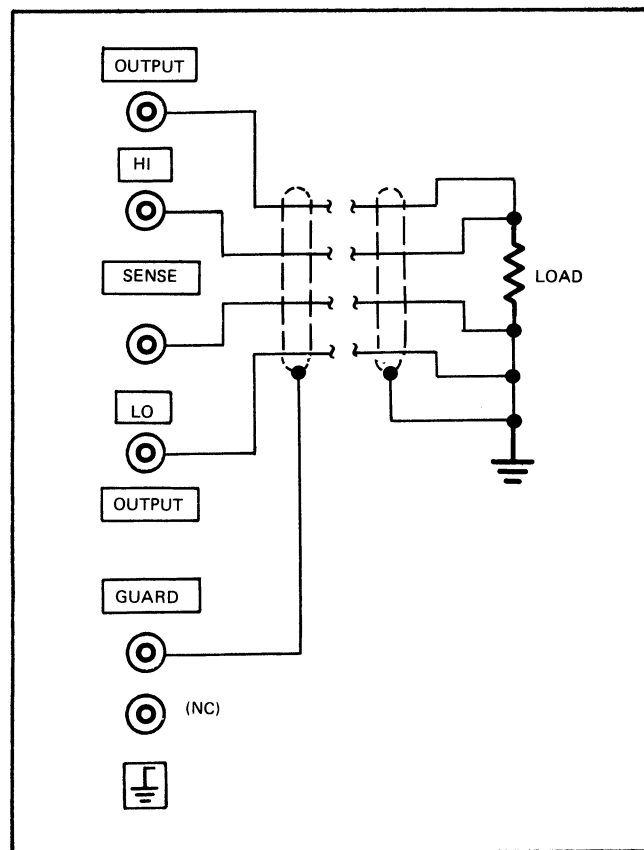


Figure 2-7. GUARD CONNECTIONS

output using the guard and remote sense features is shown in Figure 2-7.

2-33. External Frequency Input

2-34. The output frequency of the 5200A can be phase-locked to an external reference input signal if they are within $\pm 2\%$ of each other. The external reference signal should be between 1V and 10V rms, sine wave or square wave. Connection of the external reference signal is made to the calibrator by means of the BNC connector shown in Figure 2-3.

NOTE!

If the PHASE LOCK switch is ON and no phase reference signal is present, the output frequency will be at the lower end of the search pattern.

2-35. Output Accuracy

2-36. Following are some guidelines and comments that should help the operator to achieve the best possible calibration results when using the 5200A.

2-37. ACCURACY VERSUS OUTPUT CONNECTIONS

2-38. The mV output ranges of the 5200A are derived through precision step-down transformers from the 1V range, where internal sensing at the input to the transformers is employed to ensure accuracy. These low-level outputs are floating, with provision for guarding them from low-frequency (power line, primarily) ground loop currents. Because of the extremely low level of the mV outputs, and the fact that external sense cannot be used, it is necessary to exercise care when calibrating mV measuring instruments. Many of these instruments are ac-line operated, and nearly all of the broadband instrument inputs are referenced to chassis ground. Generally speaking, the optimum connections for low-level calibrations when using the mV ranges of the 5200A are as shown in Figure 2-8.

2-39. Due to the finite output impedance in the mV ranges ($< 1.5\Omega$ in series with $1.5\ \mu\text{H}$), the 5200A accuracy is specified for load impedances greater than $6\ \text{k}\Omega$. A typical millivoltmeter has an input resistance of $1\ \text{M}\Omega$, in parallel with about $30\ \text{pF}$. Below $100\ \text{kHz}$, up to 3 feet of coax cable (RG-58) will not cause significant error. When operating on the 1 MHz range, at specifically 1 MHz, the $30\ \text{pF}$ of the millivoltmeter input alone represents $5\text{-k}\Omega$ reactance. Therefore, the length and type of connecting cable may significantly affect accuracy at the higher frequencies.

2-40. ACCURACY VERSUS DISTORTION AND NOISE.

2-41. The 5200A amplitude accuracy statement refers in all instances to the rms value of the output which is, ideally a pure sine wave. The distortion and noise specifications characterize the contaminants to the sine wave output in the frequency band from $10\ \text{Hz}$ to $10\ \text{MHz}$. Within this band, the calibration of an rms-sensing meter is straightforward, and the output accuracy statement may be taken at face value since it refers to the rms value. The mV outputs of the 5200A, operating in the 1-MHz range, contain some low energy noise with Fourier components above $10\ \text{MHz}$. These are created by transients occurring for a very small fraction of the period of the output waveform. Assuming that these sources represent a 1 percent contribution (on a continuous-sine-wave basis), it is apparent that the rms output is affected less than 0.005% . (See Figure 2-9).

2-42. Calibrating an average-responding, rms-indicating meter in the presence of these low-energy components presents no problem since they have such a low average value referred to the period of the primary output waveform. Of more concern are the low-order harmonic components; specifically, the odd harmonics, since even harmonics are ignored by an average detector for the levels to be discussed. Odd harmonics can cause reading errors on average detecting instruments which are proportional to $(1/\text{Harmonic No.}) \times \text{rms value (Harmonic)}$. (See Harmonic 3 Figure 2-10 for multiplier.) Harmonics through the 9th are included in the distortion and noise specification passband of $10\ \text{MHz}$ for 5200A outputs up to $1\ \text{MHz}$. Effects of the 11th and higher order elements (which are excluded from the specification) are attenuated by more than 90 percent of their respective rms values. Finally, since the transients appearing in the 5200A mV output occur near the sine wave zero crossing, they will have no effect on peak-detecting instruments.

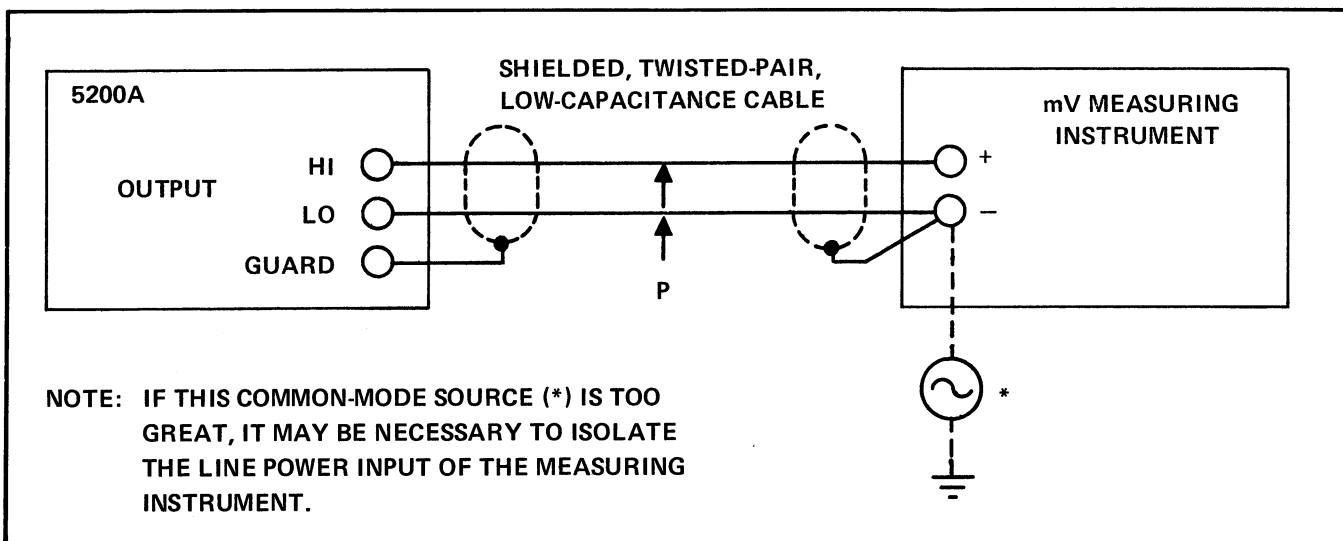


Figure 2-8: ACCURACY VERSUS OUTPUT CONNECTIONS

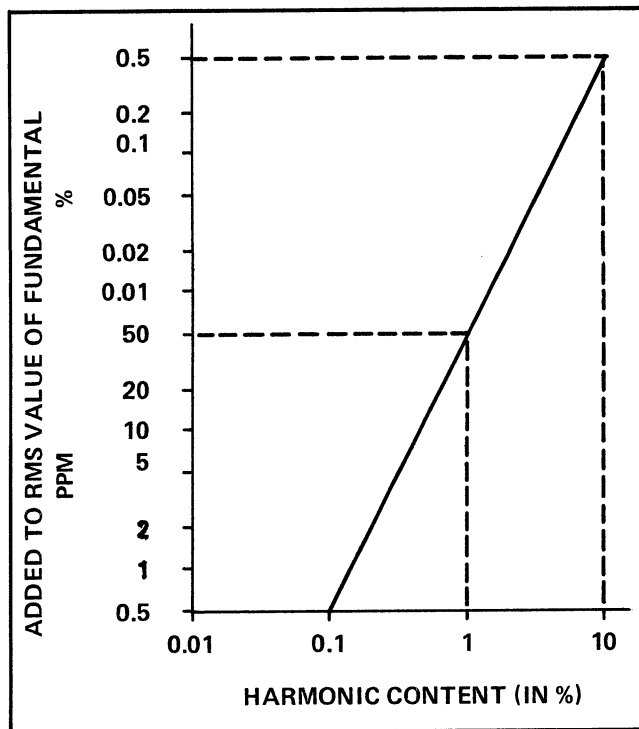


Figure 2-9. ACCURACY VERSUS HARMONIC CONTENT

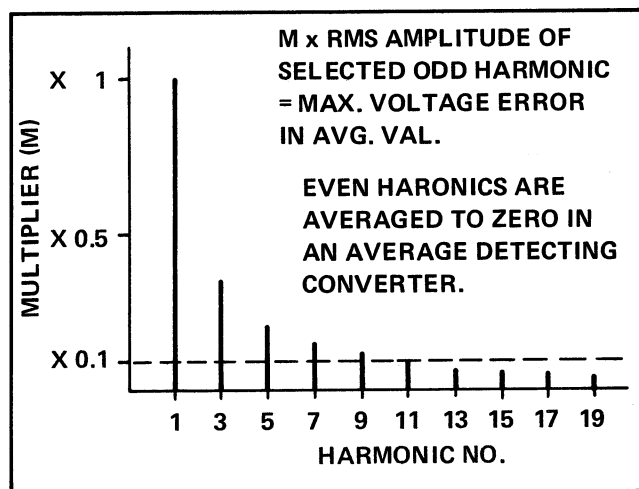


Figure 2-10. ACCURACY VERSUS LOW-ORDER ODD HARMONICS

2-43. LOCAL OPERATION (MANUAL)

NOTE!

If it is desired, prior to operation of the calibrator, to verify its performance against the specifications listed in Section 1, refer to the calibration procedure presented in Section 4.

2-44. Turn-On Procedure

2-45. Use of the following procedure is suggested for initial turn-on of the equipment, and for familiarization with

the controls and indicators. With reference to the previous paragraphs, turn-on the 5200A as follows:

- a. Ensure that the proper input power switching is selected (Refer to paragraph 2-7).
- b. Connect the calibrator to ac power.
- c. Make all necessary load and sense connections.
- d. Set the CONTROL switch to LOCAL.
- e. Set the PHASE LOCK and SENSE switches as required.
- f. Set the POWER switch to ON. Observe that the OVERLOAD lamp lights for five to ten seconds.

CAUTION!

If the OVERLOAD lamp remains lit for more than 30 seconds, turn power off and refer to the troubleshooting procedures presented in Section 4.

- g. Momentarily set the MODE switch to OPER to energize the output.

NOTE!

The 5200A assumes the standby mode after a 30 second warm-up delay when power is initially applied.

- h. If it is desired to verify operation of the calibrator, connect a suitable scope across the load and select several values of frequency and amplitude while observing the results on the scope.

2-46. Amplitude Selection

2-47. Manual amplitude selection of the calibrator output is performed using the front panel VOLTAGE decade switches shown in Figure 2-2. (The CONTROL switch must be set to LOCAL in order to control the 5200A from the front panel.) The minimum selectable output amplitude is 100 μ V rms. The maximum selectable output amplitude is 119.9999V rms, or 1199.999V rms when used in conjunction with the 5205A Precision Power Amplifier. The VOLTAGE RANGE switch provides the necessary range selection.

2-48. Frequency Selection

2-49. Manual frequency selection of the calibrator output is performed using the front panel FREQUENCY de-

cade switches shown in Figure 2-2. (The CONTROL switch must be set to LOCAL in order to control the 5200A from the front panel.) Five frequency ranges provide outputs of 10 Hz to 1.1999 MHz. The FREQUENCY RANGE - Hz switch provides the necessary range selection. When used with the 5205A Precision Power Amplifier, the output signal meets specification only to 100 kHz.

NOTE!

If the PHASE LOCK switch is on and no phase reference signal is present, the output frequency will be at the lower extreme of the phase lock capture range (typically 4% below the selected output frequency).

2-50. Voltage Error Measurement

2-51. In the local mode of control (only), the 5200A can be used to measure the amount of voltage error (expressed as a percentage of the output) present in a voltmeter under calibration. To measure voltmeter error, proceed as follows:

- a. Set the MODE switch to STDBY.
- b. Set the VOLTAGE ERROR - % switch to X.1.
- c. Set the VOLTAGE RANGE and the FREQUENCY RANGE - Hz switches to the desired ranges.

- d. Set the VOLTAGE and the FREQUENCY decade switches to the desired values.
- e. Connect the voltmeter under measurement to the calibrator output using one of the previously described methods of connection.
- f. Select the proper voltage range on the voltmeter to correspond with the calibrator output selected in steps c and d.
- g. Set the MODE switch to OPER.
- h. Adjust the VERNIER control to obtain an indication on the voltmeter that corresponds to the selected calibrator output voltage. (If necessary, set the VOLTAGE ERROR - % switch to X1.)
- i. Read the amount and polarity of voltmeter error directly from the VERNIER scale.
- j. Return the VOLTAGE ERROR - % switch to OFF.

2-52. REMOTE OPERATION

2-53. Remote operation of the 5200A is controlled by an external programming source when the calibrator is equipped with the -01 Option. Refer to Section 6 of this manual for remote programming information used with this option.

Section 3

Theory of Operation

3-1. INTRODUCTION

3-2. This section contains the theory of operation for the Model 5200A. The theory is presented first in a simplified block diagram description, followed by a functional block diagram description, then in a schematic-level circuit description. A complete set of schematic diagrams is contained in Section 8 of this manual.

3-3. SIMPLIFIED BLOCK DIAGRAM DESCRIPTION

3-4. The main function of the Model 5200A is to generate an ac voltage which can be precisely selected over wide ranges of frequency and amplitude. (The accuracy and stability of the output voltage and frequency are listed in the specifications contained in Section 1.) Output sensing of the amplitude is provided, either at the load or the calibrator output, so that the calibrator operates as a closed-loop control system and provides accurate output voltages over a wide range of loads and selected amplitudes.

3-5. A simplified block diagram of the 5200A is presented in Figure 3-1. The ac signal source is a double-integrator type oscillator. The oscillator output is selectable over a wide range of frequencies by means of the front panel switches, and is fed to the input of a Power Amplifier. The Power Amplifier provides the gain necessary to accommodate the two higher amplitude ranges (not counting the 1000V range), and feeds the Attenuator which accommodates the four lower amplitude ranges. The Attenuator output connects the selected ac signal to the load, which can be converted to either the front panel or the rear panel connectors.

3-6. In order to maintain precise control of the output amplitude, the calibrator operates as a closed-loop control

system using output sense connections to complete the loop. The sense connections are made at either the load or the Attenuator output, and feed the sense signal back into the calibrator via a high-impedance input within the AC-DC Converter. The ac sense signal is converted to a proportional dc value by a wideband rectifier contained in the AC-DC Converter. The dc sense signal is then compared (summed) with an amplitude reference voltage of the opposite polarity and a difference (error) voltage is produced to adjust the oscillator amplitude to the proper value.

3-7. The amplitude reference voltage is produced within the calibrator as a result of the amplitude selector switch settings. That is, the Reference Assembly interprets the settings of the front panel amplitude switches and generates a corresponding reference voltage. The reference voltage is compared to the dc sense voltage and any error voltage produced by the integrator is fed to the Oscillator Control Assembly. The Oscillator Control Assembly, in turn, uses the error voltage (amplitude control voltage) to control the amount of feedback voltage to the Oscillator.

3-8. The action of the described control loop is such that when a different output amplitude is selected, a change in amplitude reference voltage (produced by the Reference Assembly) results. Since the sense input has not yet changed and the dc sense voltage is compared with the changed amplitude reference voltage, a resulting amplitude control voltage (error voltage) is fed to the Oscillator Control Assembly. The Oscillator Control Assembly uses the amplitude control voltage to adjust the oscillator amplitude in the proper direction. When the calibrator output reaches the selected amplitude, the dc sense voltage (at the wideband rectifier output) becomes balanced with the amplitude reference voltage, and no error voltage is produced. At this point, the Oscillator Control Assembly ceases to alter Oscillator amplitude.

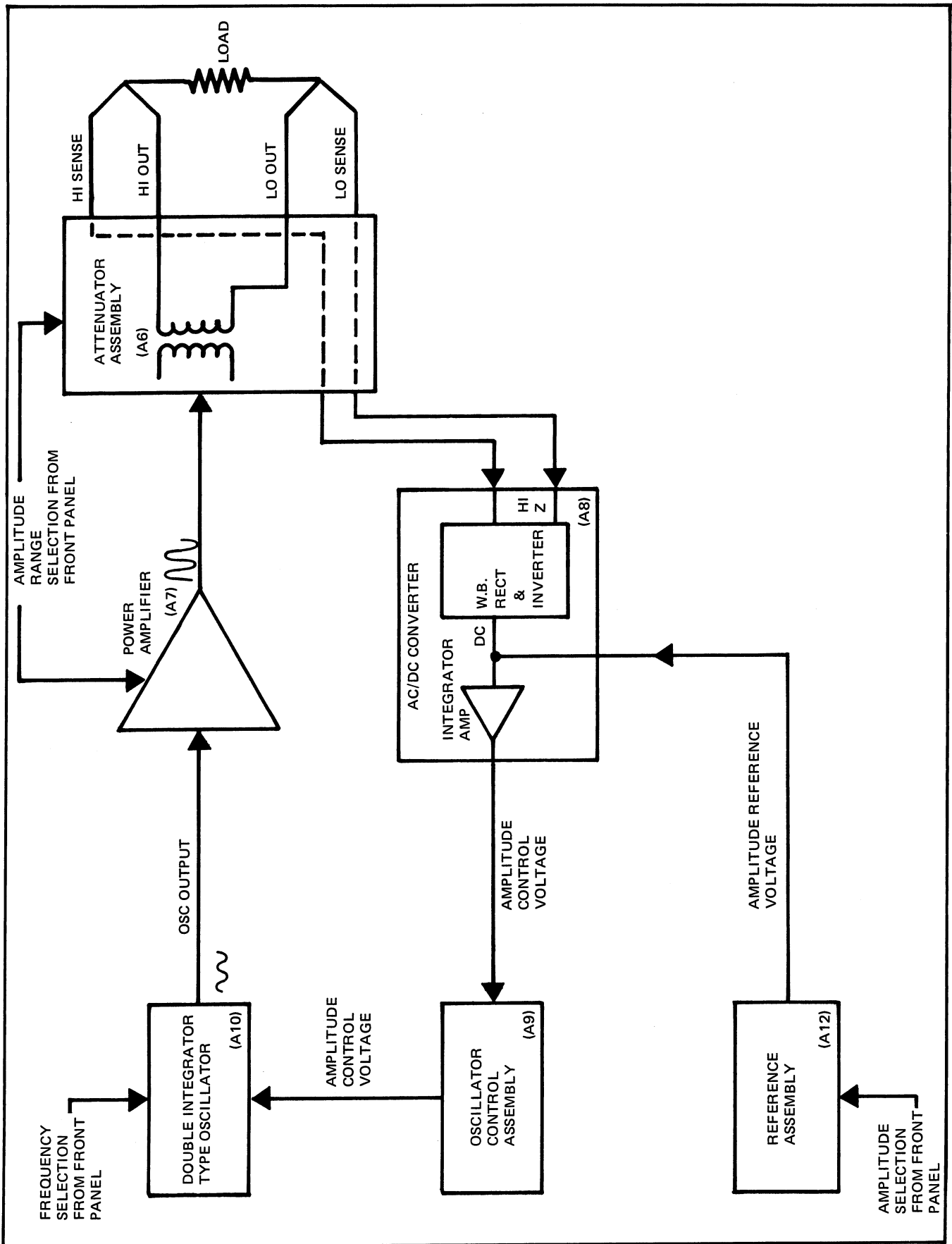


Figure 3-1. 5200A SIMPLIFIED BLOCK DIAGRAM

3-9. The Oscillator Control Assembly controls oscillator amplitude over a 12:1 range. Amplitude range selection is provided by the two selectable gain values of the Power Amplifier and several settings of the attenuator. Frequency and frequency range selection are made by switching selected values of R and C within the Oscillator. In addition, all front panel amplitude and frequency selection switches (except for the error measurement feature) can be duplicated by a remote programming source when option -01 is installed in the calibrator.

3-10. FUNCTIONAL BLOCK DIAGRAM DESCRIPTION

3-11. Oscillator

3-12. The heart of the 5200A is a double-integrator type, RC oscillator contained in the Oscillator Assembly (A10) and shown in Figure 3-2. (Figure 3-2 is a block diagram of the 5200A which shows the functional elements.) The Oscillator comprises a summing amplifier, a quadrature amplifier, an oscillator amplifier and their associated resistors and capacitors. The quadrature and oscillator amplifiers, in conjunction with their frequency, select resistors and frequency range select capacitors, form a pair of integrators, each providing a phase shift of 90 degrees; or a total phase shift of 180 degrees. The output of the oscillator amplifier is fed back through a resistor (R1) into the summing amplifier, which provides an additional 180 degrees of phase shift by means of signal inversion. The result of the combined phase shifts around the loop is approximately 360 degrees at all frequencies. As a result, the loop is on the verge of sustaining oscillation at a frequency that yields unity gain. It needs only the parallel, electronically controlled feedback paths on the Oscillator Control pcb to bring the combined loop phase shifts to exactly 360 degrees and thus sustain oscillation at the selected frequency.

3-13. The oscillator frequency is controlled over a 12:1 range by switching values of the frequency select resistors at the inputs of the quadrature and oscillator amplifiers. The range of frequencies is controlled by the frequency range select capacitors (located on the oscillator control assembly) whose values are switched in accordance with the desired frequency range. The switching of the oscillator frequency select resistors is accomplished entirely by means of FET switches, and the switching of the frequency range capacitors is accomplished with reed relays. Both are controlled by either the front panel switches or the Remote Control Unit.

3-14. Power Amplifier Assembly

3-15. The Power Amplifier accepts the 0.33 to 4.0V rms output of the Oscillator and provides the gain necessary to obtain attenuator inputs of 1.0 to 120V rms. The Power Amplifier has two fixed gain settings of 3 and 30; the latter is used only on the 100V range.

3-16. As shown in Figure 3-2, the Oscillator output signal is fed to the negative side of the Power Amplifier input stage, while the positive side is connected to the output of a low-drift dc amplifier. The purpose of the low-drift dc amplifier is to compensate for any dc offset voltages developed within the Power Amplifier, which result in an error at the output. Since the output is fed back via R1/R2 and R4 to the dc amplifier, and the output of the amplifier feeds the positive side of the input stage, any dc voltage appearing at the Power Amplifier output is compensated for. That is, any error on the negative side of the input stage is matched on the positive side by the dc amplifier, resulting in a net dc error at the assembly output of zero.

3-17. The mid-stage of the Power Amplifier drops the dc operating point of the amplified oscillator output to -190V dc and provides voltage gain. The output stage operates in conjunction with a bootstrap amplifier to produce the 1-to-120V rms output to the attenuator. The function of the bootstrap amplifier is to eliminate the need to connect the output stage directly across the +190-volt and -190-volt regulated supplies by allowing the stage to float between these potentials. The low voltages produced by zener diodes CR8 and CR9 provide the necessary collector voltages for the output transistors, in place of the 190-volt supplies.

3-18. Attenuator Assembly

3-19. Since the output of the Power Amplifier is always greater than 1V rms, the Attenuator is necessary in order to obtain calibrator outputs in the range of 0.1 to 1000 mV rms. Figure 3-2 shows that the Attenuator assembly inserts a series of ratio transformers into the calibrator output when operated in the 1-mV, 10-mV, 100-mV and 1V ranges. For operation in the 10-volt and 100-volt ranges, the ratio transformers are bypassed. When operating in the 100V range, the Power Amplifier has a gain of 30 so that the input to the Attenuator is in the range of 10 to 120V rms, depending upon the front panel amplitude selection. For all other amplitude ranges, the Power Amplifier has a gain of 3, resulting in an Attenuator input of 1 to 12V rms.

3-20. Three ratio transformers are used to provide an output for any of the four lower ranges that is flat over the entire frequency range of the calibrator. The transformers have a primary-to-(full) secondary step-down ratio of 10:1, to accommodate the 1V range. The secondary winding of each transformer is also tapped to provide step-down ratios of 100:1, 1000:1 and 10,000:1 to accommodate the 100mV, the 10mV and the 1mV ranges, respectively. Switching within the Attenuator selects the correct tap on the correct transformer in accordance with the front panel amplitude range selection, and connects that tap to the calibrator output.

3-21. The Attenuator also provides the necessary division or attenuation of the sense input signal. When operating in the 1-, 10- and 100-volt ranges, the sensing may be internal within the calibrator, or external at the load. In the 1-volt range, the sense signal is taken directly from the load or calibrator output with no attenuation required for application to the AC-DC Converter Assembly. In the 10-volt range, the sense signal is inductively divided by a factor of 10; and in the 100-volt range, the sense signal is resistively divided by a factor of 100.

3-22. On the 1-, 10- and 100- millivolt ranges, sensing is always internal and is derived from the ratio transformers used in these ranges to step down the power amplifier output to a level suitable for application to the AC-DC Converter. Since the ratio transformers are fixed, the outputs which supply the sense signal are proportional to the amplitude of the calibrator output, and are in the range of 0.1 to 1.2V rms as required by the AC-DC Converter assembly. External sensing cannot be provided in the three lowest ranges due to the 0.1 to 1.2V rms sense input requirement of the AC-DC Converter assembly.

3-23. AC-DC Converter Assembly

3-24. The AC-DC Converter produces an amplitude control voltage for use by the Oscillator Control assembly, which is derived from the sense signal input and a selected reference input. (The reference input is produced as a result of front panel amplitude selection, and is described in paragraph 3-34.) As shown in Figure 3-2, the 0.1 to 1.2V rms sense signal is fed to the buffer amplifier within the AC-DC Converter. The buffer amplifier has a high impedance input to minimize IR drop in the sense leads. The output of the buffer amplifier is fed to a wideband rectifier for conversion to a proportional dc value. The rectifier is a multi-path operational amplifier which rolls off at 6 dB per octave from 0.001 Hz to 150 MHz, and is equipped with a pair of diodes in the feedback paths.

3-25. The dc output of the rectifier is summed with a variable reference voltage (dc) produced by the Reference assembly in accordance with the front panel amplitude selection switches. The rectifier output is of the opposite polarity to the variable reference, and when the two are in the proper ratio to each other, the input to the high-gain integrator amplifier is zero and the output is constant. If either the dc sense signal or the variable reference voltage changes value, the integrator amplifier output amplitude control voltage changes accordingly, and the Oscillator Control assembly, in turn, adjusts the amplitude of the Oscillator in the proper direction and by the required amount. In this manner, the servo action of the amplitude control loop adjusts the Oscillator amplitude in response to load changes and amplitude selection changes.

3-26. The input to the integrator is also directly affected by selection of the amplitude least significant digit. Front panel (or remote) selection of the least significant amplitude digit adds or subtracts positive voltage to or from the integrator input, resulting in an adjustment of amplitude control voltage. The other five amplitude digits adjust the oscillator control voltage by means of the Reference Assembly.

3-27. Oscillator Control Assembly

3-28. The two main functions of the Oscillator Control assembly are to adjust the amplitude of the Oscillator output in accordance with a negative amplitude control voltage from the AC-DC Converter, and to keep the Oscillator output in phase with some external reference frequency when that feature is used. Oscillator amplitude control is a function of feedback from the output of the quadrature amplifier (contained in the Oscillator assembly) to the input of the summing amplifier, effecting an adjustment in phase shift around the loop to provide a means of oscillator amplitude adjustment.

3-29. As shown in Figure 3-2, the quadrature amplifier output is fed from the Oscillator assembly to the y-input of an analog multiplier (U3) contained in the Oscillator Control assembly. The output of the multiplier is fed to the input of the summing amplifier to control the oscillator output amplitude in accordance with the x-input of the multiplier. The x-input of the multiplier (U3) is derived from the negative amplitude control voltage (produced by the AC-DC Converter) after comparison with the peak output of the oscillator quadrature amplifier. The comparison of the quadrature amplifier output to the amplitude control voltage creates a secondary control loop, and is provided for by a diode switch operated indirectly by the Oscillator output signal.

3-30. The Oscillator output signal is fed to a zero-crossing detector. The zero-crossing detector operates to produce an output pulse whenever the Oscillator output passes through zero while going from negative to positive (i. e., once each cycle). Since quadrature amplifier output is 90 degrees out of phase with the oscillator output, the zero crossing pulses close the diode switch for a brief period of time when the quadrature amplifier output is at its peak. The quadrature amplifier output and the negative amplitude control voltage (from the AC-DC Converter) are both fed to the input of a dc amplifier preceding the diode switch. As a result, the diode switch supplies a signal to the succeeding integrator whenever the peak quadrature amplifier output is different from the negative amplitude control voltage. The integrator output is connected to the x-input of the analog multiplier to control the amplitude of the oscillator accordingly.

3-31. The action of this secondary control loop is such that any change in the amplitude control voltage causes an output from the integrator next time the diode switch closes. The integrator output causes the analog multiplier to adjust the amplitude of the oscillator output in accordance with the change in oscillator control voltage. This control loop operates within the previously described main control loop which employs the sense input and the AC-DC Converter assembly.

3-32. The Oscillator Control assembly also provides for the phase-lock feature of the calibrator. The external phase-lock input is squared-up and applied to one input of a phase detector. The second input of the phase detector is derived from a one shot multivibrator triggered by the zero-crossing detector. The one shot supplies a pulse to the phase detector which compares the phase relationship of the oscillator output and the external phase-lock reference signal. The phase detector produces an output proportional to their difference, which is summed with the other inputs to the summing amplifier. The phase detector provides a slight adjustment of oscillator loop gain, and thus provides a small amount of frequency control.

3-33. The action of the phase-lock loop is such that any phase difference between the Oscillator output and phase-lock reference input results in a proportional phase detector output. The output of the phase detector is summed with the other Oscillator inputs, and adjusts the total Oscillator feedback by an amount necessary to bring about synchronism with the reference phase lock input.

3-34. Reference Assembly

3-35. The Reference Assembly receives the amplitude selection information (except for the least significant digit)

from the front panel switches (or from the Remote Control Unit) and generates a corresponding dc reference voltage used to control the calibrator output amplitude. The output of the Reference assembly is referred to as the Variable Reference signal, and is fed to the AC-DC Converter where it is compared with the rectified AC Sense signal to control the Oscillator amplitude.

3-36. To generate the Variable Reference signal, which is proportional to the selected output amplitude, a 10-MHz clock is employed to drive a digital counter. The counter divides the clock signal by a factor of 1.3×10^5 , and all counter outputs are fed (in parallel) to one set of inputs on a digital comparator. The other set of inputs to the digital comparator is supplied by the front panel switches (or by the Remote Control Unit). The comparator accepts both sets of inputs, and when the counter reaches the same state as selected on the front panel amplitude switches, produces a "compare" output. The compare output pulse sets a flip-flop which by means of FET switches, removes the output of a 7-volt reference supply from the input of a five-pole, active filter, and replaces it with a ground.

3-37. When the counter reaches full count and wraps around to zero, a pulse is fed into the clear input of the flip-flop. When the flip-flop is cleared, it changes state to open the ground connection and connect the 7-volt reference supply to the active filter. The result of the opening and closing of the fet switches is the generation of dc pulses at the active filter input. The duty cycle of the pulses is determined by the timing of the compare signal, which is determined by the setting of the front panel amplitude switches. The active filter removes all ac components from this pulse train, leaving a dc average voltage proportional to the pulse duty cycle. The averaged dc voltage is applied to the integrator within the AC-DC Converter.

3-38. The Reference assembly also provides the error measurement feature. Error measurement is made by slightly adjusting the 7-volt reference supply in either direction. Since the Variable Reference signal is derived from the 7-volt supply, and also controls calibrator output amplitude, adjustment of the supply results in adjustment of the calibrator output amplitude.

3-39. CIRCUIT DESCRIPTION

3-40. The following paragraphs present a circuit description of each pcb assembly within the 5200A. The schematic diagrams referenced are located at the very back of the manual. Without the Inverter Assembly (-03 Option), the 5200A interfaces with external equipment on a negative-active basis. That is, a contact closure to ground is required to activate a given function. With the Inverter Assembly installed, interfacing is on a positive-active basis (open contacts activate function). In either case, the system

)

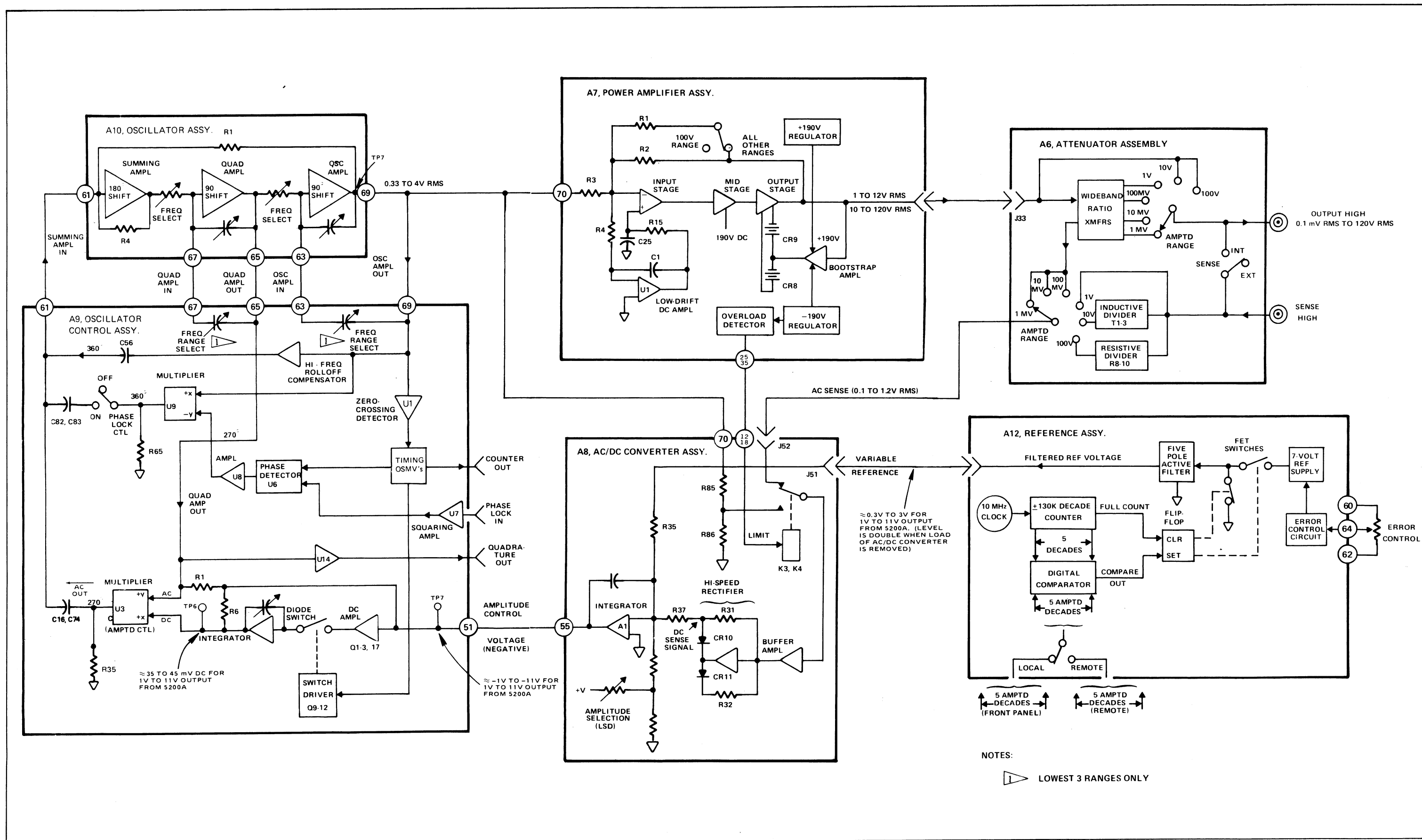


Figure 3-2. 5200A FUNCTIONAL BLOCK DIAGRAM

of logic notation employed throughout the schematics is the standard, positive-true notation. That, the more positive of the two voltage levels (a high) represents the truth of the signal name, the less positive (a low), the falseness of that signal. Also, a bar over an expression represents the word “not” placed before the expression (i.e., \overline{OP} = not operate).

3-41. This system of positive-true logic notation is illustrated on the simplified schematic in Figure 3-3. When the MODE switch (S14) is in the STDBY position, as shown, the input line to inverter U2 will be low. With the line low, this signal on this line is OP (operate). With the line low, this expression (or signal name) is false. Since the operate condition is false, the OPER indicator should be off, and the STDBY indicator should be lit. An inspection of the schematic will show that this is the case. If switch S14 were set to OPER, the STDBY indicator would go out, and the OPER indicator would light. The OP line would then be high, and the expression OP (operate) would be true. At this same time, the output of U2 is low. Therefore, the expression on that line \overline{OP} (not operate) would be false, implying that the operate condition is true. Note that the signal name to the right of jack J12H could just as well be STANDBY, since “not operate” is the equivalent of “standby.”

3-42. Motherboard PCB Assembly, A2

3-43. This assembly interconnects the other pcb's of the 5200A (dwg No. 5200A-1010). It is located across the

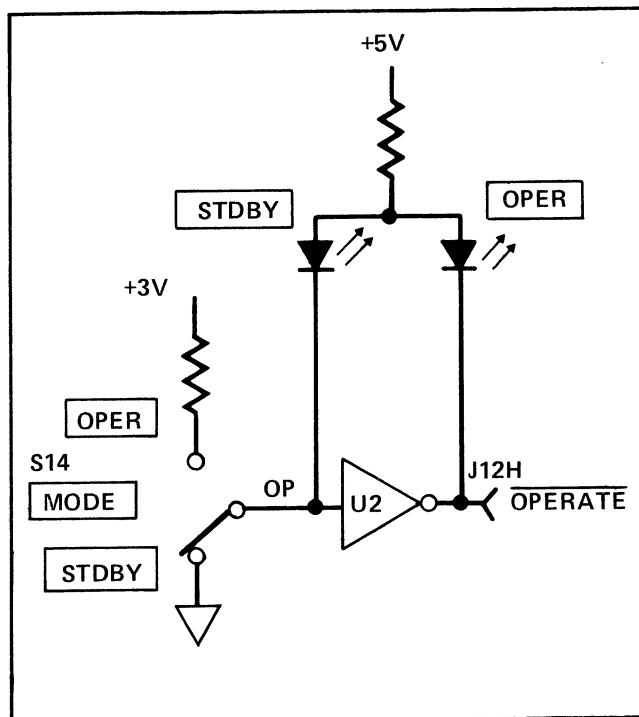


Figure 3-3. LOGIC SIGNAL NOTATION

front of the unit, just behind the Switch pcb assembly, A3 (see Figure 5-1). The Motherboard assembly consists of 8 female, 86-pin, card-edge connectors and 83 individual male connector pins all mounted on a pcb. The 8-card-edge connectors mate with pcb's A5 through A12; the 83 connector pins mate with corresponding receptacles on pcb A3. The 83 individual pins are divided into 8 groups lettered A through F, H, and K. Each pin is uniquely designated, starting at the top of each group with P1, suffixed with the group letter, and proceeding consecutively to the bottom. For example, the fifth pin from the top in group H is pin P5H (mates with jack J5H on pcb A3).

3-44. Switch PCB Assembly, A3

3-45. The Switch pcb assembly, A3, is located between the front panel and the Motherboard assembly. (See Figure 5-1). This pcb contains the switch decks and the light-emitting diodes (LED's) for the front panel switches and indicators, respectively. It also contains logic elements associated with these switches and LEDs.

3-46. (Refer to schematic diagram 5200A-1011.) When dc power comes on, the ON indicator by the POWER switch will light. Until sufficiently charged, capacitor C1 will place a low on pin 13 of U2, initially placing the Mode flip-flop in the Standby state ($\overline{OP1}$, or “not operate 1” will go high, or true). (Throughout the schematics, the numeral 1 following an OP, an EXT SEN, or a PHASE LOCK signal, denotes the signal as originating in the 5200A, while the numeral 2 denotes an external origin.) Should an overload occur, LIMIT will go low at jack J12, lighting the OVERLOAD indicator. CR43 and CR48 are connected as a wired OR circuit to form the Interrupt Operate (INT OP) function. This circuit acts to place the instrument into the STANDBY condition at power-off and during frequency range switching. U5 on the Power Supply Mother PCB acts as a 30 second turn on delay. The switch PCB input on J19H will be high for approximately 30 seconds after power is applied. This signal is inverted by U3 and connected to the Interrupt Operate Line by CR48. U10 and CR43 will activate the Interrupt Operate line during frequency range switching. U8 stores the range setting. U7 detects changes and triggers U10. U8 is then reset by a pulse from U11. Q18 on the Power Supply Mother PCB acts as a power-off detector. The signal from Q18 is connected to the Interrupt Operate line on the Mother PCB.

3-47. The CONTROL switch, S15, selects either local or remote control for the 5200A. When S15 is set to REM, pin 6 of gate U2 goes high, disabling the MODE, the PHASE

LOCK, and the SENSE switches. This high also turns off transistor Q1, disabling the FREQUENCY decade switches and the VOLTAGE (least significant digit) decade switch. (The rest of the VOLTAGE decade switches are disabled by using the low from switch S15 through jack J10C to inhibit their signals at the RCU Gating circuits on the Reference Supply Assembly, A12.) The high out of U2-6 is also applied to input D of bcd-to-decimal converters U4 and U5. This causes outputs 0 through 7 to be held high, allowing no decimal point LED to light. The high out of U2-6 is inverted to a low at pins 8, 4, and 10 of three U3 inverters. The low out of pin 8 inhibits the three U1 and the three U6 gates, thus disabling the FREQUENCY RANGE - Hz and the VOLTAGE RANGE switches, respectively. The low out of pin 4 of U3 turns off transistor Q2, de-energizing relay K1, and thus disabling the VOLTAGE ERROR - % switch. The low out of pin 10 of U3 turns on the REM indicator and holds the Mode flip-flop in the Standby state. All of the foregoing conditions will be true regardless of the position of the CONTROL switch if an external programming source has activated the Remote function. The CONTROL switch would be overridden by a low at jack J1C (RCU REMOTE, or “not RCU remote”, would be false).

3-48. When the 5200A is in the Remote mode of control (whether locally or remotely selected), and there are no (other) external commands, the STDBY and the INT indicators will be lit, and the ON indicator by the PHASE LOCK switch will be out. Externally programmed commands may alter any of these three conditions. An external contact closure to ground may be applied, by way of the Remote Control Unit pcb, A11, to jack J3C. This would have the same effect on the 5200A as setting the PHASE LOCK switch to ON when the CONTROL switch is set to LOCAL; the phase lock ON indicator would light, and the phase lock feature would be activated (PHASE LOCK, at jack J1E, would be false). Similarly, a ground applied by way of A11 to pin 54 of connector P30 (edge connector of pcb A6) would cause jack J11H to go high, having the same effect as setting the SENSE switch to INT while in the Local mode of control; the INT indicator would go out and the EXT indicator would light. Again similarly, a ground applied by way of A11 to pin 30 of connector P30 would cause jack J17H to go low, having the same effect as momentarily setting the MODE switch to OPER while in the Local mode of control; the STDBY indicator would go out, the OPER indicator would light, and the 5200A would be placed into the Operate mode. Note that the Mode flip-flop would be unaffected, remaining locked in the Standby state by the low state of pin U3-10. The output of this flip-flop is by-passed by the external Operate command, which is applied to the 5200A downstream of the flip-flop.

3-49. When the CONTROL switch is set to LOCAL, and jack J1C is high (RCU REMOTE, or “not RCU remote”, is true), pin 6 of gate U2 goes low. This low enables the MODE, the PHASE LOCK, and the SENSE switches. It also turns on transistor Q1, enabling the FREQUENCY decade switches and the least significant digit of the VOLTAGE decade switches. (The rest of the VOLTAGE decade switches are enabled by using the high from switch S15 through jack J10C to enable their signals at the RCU gating circuits on pcb A12). The low out of U2-6 applied to input D of U4 and of U5 enables them to output a unique low at outputs 0 through 7 in response to the inputs at A through C, lighting the proper decimal point for the selected range. The three U6 and three U1 gates that feed the A through C inputs of U4 and of U5, respectively, will be enabled by the high out of pin 8 of U3. The high out of pin 4 of U3 will turn on transistor Q2, which will energize relay K1 to enable the VOLTAGE ERROR - % switch, S8. The high out of pin 10 of U3 will unlock the Mode flip-flop, allowing it to respond to the MODE switch.

3-50. Signals from the VOLTAGE RANGE switch are routed to the Attenuator Assembly, A6, by way of Jacks J16H, J14H, and J15H. External voltage range signals exit by the same jacks, after entering A3 by way of J9C, J7C, and J8C, respectively. Signals from the FREQUENCY RANGE - Hz switch are also routed to A6, by way of jacks J9H, J8H, and J13H, and to the Oscillator Control Assembly, A9, by way of jacks J4E, J3E, and J2E. External frequency range signals exit the same jacks, after entering A3 by way of jacks J5C, J4C, and J6C, respectively. (The group M jacks are not used.) Amplitude control signals from VOLTAGE decade switches S1 through S5 are routed by way of group B jacks to the Reference Assembly A12; those from S6, by way of group F jacks to the AC-DC Converter Assembly, A9. Frequency control signals are routed by way of group C and Group D jacks to the Oscillator Assembly, A10. (The group L and group M jacks are not used.)

3-51. Power Supply Assembly, A5 (A5A1, A5A2, and A5A3)

3-52. The Power Supply Assembly supplies all of the dc operating voltages for the rest of the 5200A. It consists of a Power Supply Motherboard assembly; A5, a Power Supply assembly; A5A1, a Power Supply Regulator assembly; A5A2, and a Power Supply Transformer assembly; A5A3. The Power Supply Motherboard assembly, A5, mates with J20 on the 5200A Motherboard assembly; A2. The other three power supply assemblies mate with connectors on A5. All four of the foregoing assemblies are shown on a single schematic diagram: (5200A-1020). The Power Supply Assembly is divided into four functional supplies, each having

special properties. Of all the four supplies, one is outside the guard, the other three, inside. Of the three inside the guard, one is floated (referenced to the SENSE LO terminal), one is referenced to the OUTPUT LO terminal, and the third provides two levels of high voltage for the Power Amplifier circuits.

3-53. The outside supply is so designated because it is the only one of the four that is outside the guard and is used to supply circuits that are also outside. It is located on pcb A5A1 (lower left corner of schematic). The output voltages from this supply are identified by "(O)" following the voltage; such as +5V (O). The letter "O" is also used to distinguish the circuit return symbol for this supply from that of the other supplies.

3-54. The output voltages and circuit return symbol for the floated supply (upper right corner of schematic) are similarly identified with the letter "F". This supply is referenced to the SENSE LO terminal and is used primarily in circuits having to do with amplitude control (AC-DC Converter and Reference Supply). The floated supply occupies part of pcb A5A2.

3-55. The other part of pcb A5A2 holds the supply (lower right corner of schematic), that is referenced to the OUTPUT LO terminal. The voltages for this supply are identified by the absence of any special marking, but the circuit return symbol is identified by the letter "L". This supply provides the voltages for the bulk of the circuits inside the guard.

3-56. The last of the four supplies (right center of schematic) is located directly on pcb A5, and provides the operating voltages for the output stage of the Power Amplifier, A7. The +190V RAW and -190V RAW voltages are actually approximately +240V and -240V, respectively. They are identified as 190V merely because they are the raw voltages that are regulated to 190V on the Power Amplifier pcb.

3-57. Attenuator Assembly, A6

3-58. The Attenuator assembly has two main functions; to attenuate the output of the Power Amplifier assembly (A7) on the 1V and the 1-, 10- and 100-mV ranges, and to provide a proper level of AC Sense signal back to the AC-DC Converter assembly (A8). Both the output and the AC Sense signals are routed within the assembly by means of relays. The relays are controlled by logic circuits that detect the various combinations of selected voltage and frequency ranges, and Sense and Mode commands. Table 3-1 lists the relay paths for both types of signals during Operate mode for each combination of voltage and frequency range. For internal sensing, relay K3 on Switch PCB Assembly is included in the sense path for the 100V, 10V and 1V ranges.

3-59. The attenuation of the output signal is accomplished by one of three precision, ratio transformers; T1, T2 or T3, depending on the selected frequency range. (See schematic diagram 5200A-1030, sheet 1). When either the 100V or the 10V range is selected, the output signal is applied directly to the front and the rear attenuator output connectors by relay K1 (no attenuation takes place). However, when the 1V range or any of the three mV ranges are selected, relay K1 is open, and relay K34 applies the output signal to one of the three transformers by way of relay K4, K5 or K6. The selected frequency range determines which of the three relays is closed (in addition to K34), and therefore, which of the three transformers is used. (On the schematic diagram, all relay contacts are marked with the conditions required to close them. For all other conditions, the contacts are open).

3-60. In order to provide the AC-DC Converter with the same level of AC Sense signal (0.1 to 1.2V rms) no matter what the selected voltage range, the Sense signal is attenuated on the 100V and the 10V ranges, fed straight through on the 1V range, and taken directly from the secondary of the applicable transformer on all three mV ranges. The attenuation on the 100V range is accomplished by a resistor voltage divider consisting of resistors R8, R9 and R10. Resistor R9 is a potentiometer used for calibration purposes. Capacitor C3 is variable to provide calibration of the divider on the 1-MHz frequency range. On the 10V range, the Sense signal is attenuated by the primary of the applicable transformer. The transformers are not being used for output signal attenuation on the 10V range, so the primaries are used as inductive voltage dividers. The Sense signal is applied to the primary by section A of relay K10, K12 or K14, as applicable, and the attenuated Sense signal is picked off by section B of the relay.

3-61. The foregoing is true only for the Operate mode. When the MODE switch is set to STDBY, relays K1 and K15 through K26 cannot be energized. (Refer to sheet 2 of 5200A-1030.) Whenever input D of decoder U10 is high, as it is during Standby mode, outputs 0 through 7 are held high. Logic signals F through N (outputs 0 through 7 inverted) are held low, inhibiting the drive gates for K1 and K15-26. Whichever of these relays are closed during Operate mode, will open when the unit is placed into Standby mode, thereby removing the output voltage from the OUTPUT HI terminal (and the corresponding pin of the rear output connector).

3-62. Also during the Standby mode, a substitute AC Sense signal to the AC DC Converter is provided to maintain balance in the amplitude control loop. With the output voltage removed from the output line, there can be no voltage on the sense line, and the AC Sense signal must come

Table 3-1. ATTENUATOR PCB, SIGNAL PATH SUMMARY

RANGE	SIG TYPE	100 Hz & 1 kHz	10 kHz & 100 kHz	1 MHz									
1000V*	O	K34 → K3A											
	S	K3B → K32											
100V	O	K1											
	S	(R9 →) K27											
10V	O	K1											
	S	K8 → K10 → K32	K8 → K12 → K32	K8 → K14 → K32									
1V	O	K34 → K4 → K15 → K2	K34 → K5 → K19 → K2	K34 → K6 → K23 → K2									
	S	K8 → K7 → K32											
100 mV	O	K34 → K4 → <table border="1" style="display: inline-table; vertical-align: middle;"><tr><td>K16</td></tr><tr><td>K17 → K2</td></tr><tr><td>K18</td></tr></table>	K16	K17 → K2	K18	K34 → K5 → <table border="1" style="display: inline-table; vertical-align: middle;"><tr><td>K20</td></tr><tr><td>K21 → K2</td></tr><tr><td>K22</td></tr></table>	K20	K21 → K2	K22	K34 → K6 → <table border="1" style="display: inline-table; vertical-align: middle;"><tr><td>K24</td></tr><tr><td>K25 → K2</td></tr><tr><td>K26</td></tr></table>	K24	K25 → K2	K26
K16													
K17 → K2													
K18													
K20													
K21 → K2													
K22													
K24													
K25 → K2													
K26													
10 mV													
1 mV													
mV (all)	S†	K9 → K32	K11 → K32	K13 → K32									

* Used only in conjunction with Model 5205A Power Amplifier.

† Internal sensing only, on all mV ranges, from secondary of xfmr.

by another route. (Refer to sheet 1 of 5200A-1030.) In Standby mode, relays K32 and K34 close regardless of the position of the VOLTAGE RANGE switch. Also, depending on the position of the FREQUENCY RANGE-Hz switch one of the following pairs of relays closes: K4, K9; K5, K11 or K6, K13. This established a path for the output of the Power Amplifier to be attenuated by factor of 10 (step-down ratio of transformers, primary to full secondary) and fed to the AC-DC Converter as the AC Sense signal. The output of the Power Amplifier in Standby mode is the same as it would be in Operate mode for any range other than 100V. The output range of the Power Amplifier is controlled by a signal from pin 2 of U10 (sheet 2). Pin 2 of U10 is held high in Standby mode, regardless of the voltage range selected. Further, in Standby mode, pin 2 of NAND gate U17 goes low, inhibiting the selection of external sensing. The INT indicator will light, and the EXT indicator will be out, regardless of the position of the SENSE switch.

3-63. When a Model 5205A Precision Power Amplifier is used in conjunction with the 5200A, its operation is controlled through the 5200A. When the 1000V range is se-

lected, and the 5200A is placed into the Operate mode, pins 8, 10 and 12 of U11 are all high. This causes pin 2 of U9 to go low, activating the 5205A.

3-64. Power Amplifier Assembly, A7

3-65. The function of the Power Amplifier assembly is to amplify the output of the Oscillator assembly to a voltage level adequate to feed the OUTPUT terminals on either the 100V or the 10V range. (The voltage level obtained for the 10V range is also obtained on the four lowest ranges, but attenuated to the desired range by assembly A6.) The gain of the Power Amplifier is fixed at 3 for all ranges except the 100V range. For the 100V range, the gain is fixed at 30 (Operate mode only; the gain reverts to 3 in Standby mode.) Gain switching is accomplished by relays K1 and K2, (see schematic diagram 5200A-1040) The relays are controlled by a signal from the logic circuits of the Attenuator assembly, applied to pin 29 of card connector P40. When the signal is low, K1 opens, and K2 closes. This alters the overall and the input-stage feedback resistances, respectively, and fixes the gain of the Power Amplifier at 30. The only time the signal or pin 29 is low is when both the 100V range and the Operate mode are selected.

3-66. The input stage of the Power Amplifier consists of transistors Q1 through Q9 and their related components. The input stage is a differential, voltage-to-current amplifier. The positive (reference) input to this amplifier is the output of a low-drift dc amplifier (U1). Amplifier U1 monitors the feedback to the input stage from the output stage. Any error in the dc level of the output signal fed back to the signal input (negative side) of the input stage, is detected by U1, which compensates by altering the dc level of the reference input (positive side). This control loop locks the output of the Power Amplifier to a dc level of 0 volts, preventing drift during operation. During calibration, this output dc level is set to zero, as required, by adjusting potentiometer R6.

3-67. The mid-stage amplifier consists of transistors Q34 through Q37 and Q15, and their related components. The mid-stage is a current-to-voltage amplifier. Transistors Q34 through Q37 provide current gain, while Q15, in a common-base configuration, provides high voltage gain.

3-68. The output stage of the Power Amplifier consists of transistors Q14, Q17, Q18 and Q20 through Q23 and their related components. This stage is a complementary emitter-follower bootstrap amplifier. Transistors Q21 and Q22, in Darlington configurations with Q17 and Q18, respectively, provide on-off control for power transistors Q20 and Q23, respectively. Transistors Q17 and Q18 are driven by Q15 of the mid-stage amplifier. Transistor Q14, together with current source diode CR17, provides the potential differential for the bases of Q17 and Q18 that is necessary for smooth transition of the output waveform at the zero-crossing point. The bootstrap effect is provided by zener diodes CR8 and CR9. These two diodes maintain a potential difference of 20V (nominal) between the bases of the power transistors (Q20, Q23) while those bases are swinging through approximately 340V ac, peak-to-peak.

3-69. Transistor Q23, shown on the schematic as a single transistor, is actually a multiple transistor assembly. The transistors are a matched set, making the assembly non-repairable. Hence, it is treated as a single, replaceable transistor.

3-70. Operating power for the output stage is provided by two voltage regulators supplied with raw voltage from assembly A5. The +190V regulator consists of series-pass transistors Q25 and Q26, control transistor Q28, and sensing divider R48/R49. The -190V regulator consists of series-pass transistors Q31 and Q32, differential control transistors Q29 and Q30, and sensing divider R55/R53. The expression, "+190V RAW" literally means, "the raw input voltage for

the +190V regulator"; the dc value of that raw input voltage is actually approximately +240V. Similarly, "-190V RAW" is approximately -240V dc.

3-71. Overload detection begins with transistors Q24 and Q19. As current drawn from the -190V regulator, through resistor R61, increases, the current through Q19 increases, decreasing current through Q24. This makes the collector of Q24 (-190V LIMIT) increasingly positive. When -190V LIMIT becomes positive enough, with respect to -190V REGULATED, transistors Q11 will be turned on. This will turn on Q12, which will turn on Q13. Transistor Q13 will apply a low to pins 12 and 13 of NAND gate U12, and pins 35 and 25 of connector P40 will go high and low, respectively. These two signals are used by assembly A8 to place the 5200A into the Limit mode of operation. Also, the low at pin 25 is used to light the OVERLOAD indicator.

3-72. AC-DC Converter Assembly, A8

3-73. The function of the AC-DC Converter assembly is to rectify the AC Sense signal, compare it to the Variable Reference signal, and develop an Amplitude Control signal (error voltage) directly related to the comparison. The comparison takes place in a summing junction, at the input to a dc operational amplifier (see schematic diagram 5200A-1050, sheet 1). The summing junction is fed on one side by the Variable Reference signal from the Reference assembly (A12) and on the other side by the parallel outputs of a buffer amplifier and a rectifier amplifier. These latter two outputs are derived from the AC Sense signal from the Attenuator assembly (A6).

3-74. The output of the buffer amplifier is a sine wave, equal in amplitude, but 180 degrees out of phase to the input signal (see Figure 3-4, A and B). The buffer amplifier output is fed to the summing junction through resistor R36, and to the rectifier amplifier. The output of the rectifier amplifier is also a sine-wave of equal amplitude, shifted another 180 degrees. Only the negative half-cycles of this output (C) are fed to the summing junction, through diode CR10 and resistor R37. The net result of these two signals being mixed in the summing junction is a full-wave-rectified, pulsating dc voltage (D). When the AC Sense signal and the variable Reference signal are in the proper balance, that is, when all of the current supplied to the summing junction by the positive Variable Reference voltage is drawn by the outputs of the two amplifier, the summing junction potential will be at virtual circuit-common potential, (the pulsating dc voltage will be centered around zero volts) and no error voltage will be developed at the converter output (pin 55 of P50). When more current is drawn, or when less

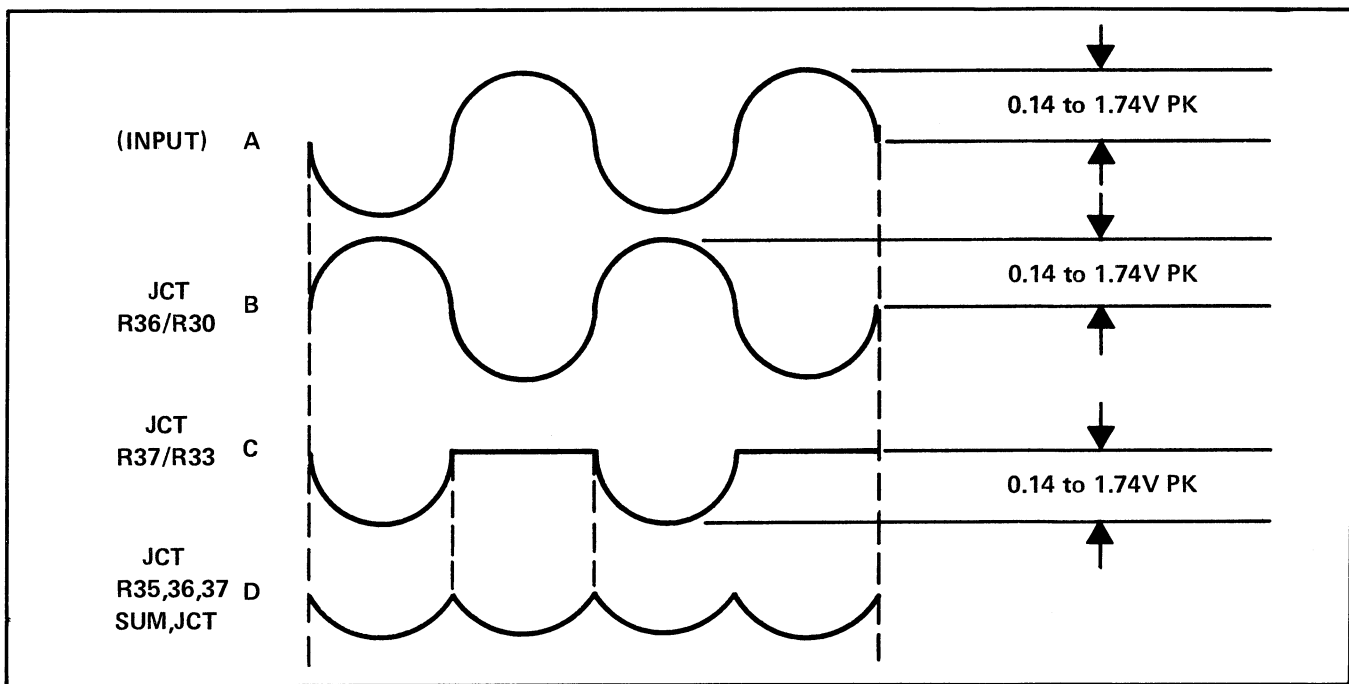


Figure 3-4. AC SENSE SIGNAL PROCESSING

current is drawn, through R36 and R37 than is supplied by R35, the difference is supplied or drawn, respectively, through a summing junction voltage divider (four series resistor pairs in parallel: R48/R49, R51/R52, R54/R55 and R57/R58) to circuit common. This alters the dc potential of the summing junction, and an error voltage is produced at pin 55.

3-75. Also affecting the current supplied to the summing junction, is a resistor-switching circuit (lower left quadrant of the schematic) connected to the junction voltage divider. The resistors (R47, R50, R53, and R56) are switched by FET's into any of 10 possible combinations, corresponding to the 10 positions of the rightmost VOLTAGE decade switch (least significant digit). This resistor-switching circuit is connected between the junctions of the voltage divider resistor pairs and +15V (F) dc. With the decade switch set to 0, all four FET's are open, and no current is supplied by the circuit. As the switch is rotated from 1 to 9, current in digitally increasing increments, is supplied. These amounts of current are small but discrete (approximately $7\mu\text{A}$ on position 1 to approximately $70\mu\text{A}$ on position 9), creating small imbalances in the amplitude control loop that can only be cancelled by small, corresponding increases in the output voltage.

3-76. The pulsating dc signal at the summing junction is applied to one side of an operational amplifier (A8A1, pin 1) This amplifier is referenced to circuit common through pin 2 and resistor R60. (Potentiometer R63 and the three associated resistors R59, R61 and R62, provide a means of precise zero-adjusting during calibration.) The amplifier feeds

output transistor Q24 (an emitter follower). The pulsating dc at the summing junction appears at the emitter of Q24, but is filtered at the output by resistor R75 and an active filter U2. Feedback for the operational amplifier is provided by capacitor C25 on the 100 Hz range, and by C26 for the other four ranges.

3-77. Should an overload condition be detected, a Limit signal and its complement would be generated on the Power Amplifier assembly (A7) and applied to the AC-DC Converter assembly (pins 18 and 12 of P50 would go high and low, respectively). Relay K4 would open, removing the AC Sense signal from the input of the buffer amplifier. Relay K3 would close, replacing the AC Sense signal with the output the oscillator amplifier (attenuated by divider R85-R86 to the approximate value of the normal AC Sense signal). This is to maintain stability in the amplitude control loop during overload conditions. It should be noted that voltage is not removed from the OUTPUT HI terminal during a Limit (overload) condition, as it is during Standby mode.

3-78. Oscillator Control Assembly, A9

3-79. The Oscillator Control assembly has a number of functions. The primary function of the assembly is to compare the amplitude control voltage to the positive peaks of the quadrature oscillator output and, as required, provide a correcting input current for the summing amplifier. Second-

ary among the functions is the locking of the Oscillator frequency to an externally supplied frequency when the Phase Lock feature is on. (The external frequency must be within 2 percent nominal of the 5200A selected frequency for phase lock to be achieved.) Other functions are: to translate Frequency Range signals for Oscillator range control, to amplify the output of the quadrature amplifier for application to rear panel BNC connector J65, and to provide the Counter output to rear panel BNC connector J66.

3-80. Control of the Oscillator output amplitude starts with detection of the positive slope zero crossings of the oscillator amplifier output by amplifier U1 (sheet 2). The output of U1 is used to trigger the timing one shots U2A and U2B. The Q output of U2A is used, in turn, to trigger one shots U11, U15A and U15B. The duration of each one shot and the frequency ranges for which they are enabled are shown in Table 3-2. (The enabling signals come from IC gate pack U4 on sheet 1.) The \bar{Q} output of the five one shots are connected to the switch driver circuit (Q9 through Q11) through an AND gate consisting of diodes CR16, CR17, CR64, CR65 and CR67. This AND gate is used to perform the OR function for low inputs). The switch driver circuit will be controlled by the longest-duration pulse applied to the gate. While the input is low, the switch driver will "close" the diode switch, consisting of diodes CR9 through CR12. During this time, the output of the dc amplifier, which is fed by the Amplitude Control voltage from A8, is connected to the input of the integrator. The integrator in turn feeds the +x input of multiplier U3. The +y input is being fed by the output of the Quadrature amplifier from pcb A8. If the positive peaks of the quadrature amplifier and the Amplitude Control voltage are not in balance, U3 will provide a correcting input current to the summing amplifier on pcb A8.

3-81. In order for the integrator to operate properly over the entire bandwidth of the 5200A, external RC feedback paths are switched in and out, depending on the frequency range selected. The switching is performed by FET's Q29-31 and Q4. These FET's are controlled by BCD-to-decimal converter U5 (sheet 1) through drive transistors Q14-16, and Q25.

3-82. The high-frequency roll off compensator (sheet 2) slightly increases overall Oscillator gain at high frequencies to compensate for intrinsic deficiencies in the three amplifier stages of the Oscillator. It acts as an electronically variable resistor in parallel with feedback resistor R1 on the Oscillator pcb.

3-83. Phase locking starts when an external frequency is squared, by amplifier U7 (sheet 3) and applied to phase detector U6. Zero-Crossing pulses from the timing one-shots

are also applied to U6. The phase and frequency differences are detected by U6, which applies a correspondingly offset ac signal to be applied to amplifier U8. The output of U8 feeds the $-y$ input of multiplier U9; the +x input is fed by the output of the oscillator amplifier, on pcb A8. The amplified offset signal will upset the balance between the $-y$ and the +x inputs, and U9 will apply a correcting input current to the summing amplifier on pcb A8. This is, of course, provided that the PHASE LOCK switch is set to ON, energizing relay K5. When the phase and the frequency of the Oscillator, represented by the Zero-Crossing pulses, are the same as those of the external frequency, no offset will be introduced to the input of U8, and no correcting input current will be supplied to the summing amplifier.

3-84. In order for amplifier U8 to operate properly over the entire bandwidth of the 5200A, external RC feedback paths are switched in and out, depending on the frequency range selected. The switching is performed by FET's Q20-23). These FET's are also controlled by BCD-to-decimal converter U5 (sheet 1) through drive transistors Q14-16 and Q25, as are the FET switches for the amplitude control circuit integrator.

3-85. The frequency range of the Oscillator assembly is determined by the selection of feedback capacitors for the quadrature and the oscillator amplifiers. The capacitors for the three lower ranges are located here on the Oscillator Control assembly (sheet 1). The relays that switch the capacitors in and out of the oscillator circuits are controlled by the same circuit that controls the selection of feedback capacitors for amplifier U8 in the phase-lock circuit. Relays K1, K2 and K3, normally open, close for the 100-Hz, 1-kHz and 10-kHz ranges, respectively. Feedback capacitors for the two higher frequency ranges are located on the Oscillator pcb.

3-86. Rear panel BNC connector J65 (QUADRATURE OUT) is fed by amplifier U14 (sheet 1). Amplifier U14 is fed by the quadrature amplifier (A10A2) and has a gain of 3. The output of U14 is a sine wave with an amplitude of 1V to 12V rms, depending on the settings of the VOLTAGE decade switches, no matter which voltage range is selected.

NOTE !

The quadrature output has a minimum impedance specification of 3 k Ω . Therefore, Lead length from J65 to external equipment becomes critical at the higher frequencies. At 1 MHz, the distributed capacity along a coaxial lead greater than 1 foot in length, could overload the quadrature output.

3-87. Rear panel BNC connector J66 (COUNTER OUT) is fed by pin 6 of gate U13 (sheet 2). This signal is the complement of the longest of the three negative-going pulses applied to U13 from the timing one shot circuit.

3-88. Oscillator Assembly, A10

3-89. The function of the Oscillator assembly is to provide a sine wave, 0.3V to 4.0V rms in amplitude and from 10 Hz to 1.2 MHz in frequency, to the input of the Power Amplifier assembly, A7.

3-90. The Oscillator is the double-integrator type. (Refer to schematic diagram 5200A-1070.) Each of the two integrators (A2 and A3) has five separate capacitive feedback paths (two on this pcb, three on the A9 pcb) that can be switched in and out of the circuit to change the frequency range of the oscillator. The switching is by means of relays, which are operator-controlled by means of the FREQUENCY RANGE-Hz switch. Table 3-2 shows the relay configuration for each selected frequency. For all four relays, section A applies to the quadrature amplifier; section B, to the oscillator amplifier. Relay A10K1 is held closed on all ranges except 1 MHz. The extra capacitance it provides on the three lower ranges offsets the slight isolation of the range-select capacitors on the A9 pcb caused by the distributed inductance of the traces to those capacitors.

Table 3-2. FREQUENCY RANGE RELAYS

RANGE	RELAY			
	A9K1	A9K2	A9K3	A10K1
100 Hz	C	O	O	C
1 kHz	O	C	O	C
10 kHz	O	O	C	C
100 kHz	O	O	O	C
1 MHz	O	O	O	O

C = Closed; O = Open

3-91. The frequency of the Oscillator, within the selected range, is determined by the net value of resistance between amplifier stages. There are 16 separate resistor paths between amplifiers A1 and A2 and an identical circuit between amplifiers A2 and A3. These resistor paths are switched in and out of the Oscillator circuits by FET's Q18 through Q49. The FET's are driven by 16 drive transistors (Q1 through Q17; Q4 not used) in response to the FREQUENCY decade switches. Each drive transistor drives two FET's, one from each interstage resistor circuit. Each group of four drive transistors and their associated FET's translates the position of one of the four FREQUENCY decade switches on an 8-4-2-1, binary code basis.

3-92. Reference Assembly, A12

3-93. The function of the Reference assembly is to provide a Variable Reference voltage, proportional to the settings of the VOLTAGE decade switches, for use by the AC-DC Converter for amplitude control. This Variable Reference voltage is the positive dc output of a five-pole active filter. The input to the filter is alternately switched back and forth from circuit common to +7V dc. The duty cycle of the +7V portion of the filter input is controlled by the selected-amplitude information from the VOLTAGE decade switches (or from the RCU, as applicable).

3-94. The selected-amplitude information is applied to the RCU gating circuits (see schematic diagram 5200A-1090, sheet 2). The signal on pin 53 of P90 determines which set of amplitude information is gated to the comparator. When pin 53 is high, the information from the VOLTAGE switches is gated; when it is low, that from the RCU is gated.

3-95. The other side of the comparator is fed by a counter that is driven by a 10-MHz clock. Every 13 ms, the counter increments from 00000 to 130000. The most significant digit (U16) of the counter is monitored by a NAND gate. When U16 reaches 13 (full count), normally high pin 6 of gate U18 goes low. This low clears U16 and pin 6 reverts to a high. This short-duration low from pin 6 pulses transformer T2.

3-96. The other side of T2 is fed by pin 8 of NAND gate U18. This gate monitors the output of the comparator. As the counter increments, there will be a 0.1- μ s period of time (somewhere from 10000 to 119999, inclusive) when the counter output is exactly the same as the selected-amplitude information. During that period of time the outputs of all the comparator gates will be high, and normally high pin 8 of U18 will go low. This 0.1- μ s low from pin 8 pulses T2 in the opposite direction as pin 6.

3-97. The two opposite-polarity pulses to T2, the first when a compare is reached; the second when full count is reached, are fed to a flip-flop inside the guard (see sheet 1). The flip-flop driven FET's Q9 and Q11, which control the input to the five-pole filter. From a Full Count pulse to the following Compare pulse, Q9 is on, Q11 is off, and +7V dc is applied to the filter. From the Compare pulse to the following Full Count pulse, Q9 is off, Q11 is on, and circuit common [15V (F) Return] is applied to the filter. The resulting output of the filter is a positive dc voltage proportional to the settings of the VOLTAGE decade switches (except for the rightmost switch), or to the remotely supplied amplitude control inputs, as applicable.

Section 4

Maintenance

4-1. INTRODUCTION

4-2. This section contains information on General Maintenance, a Performance Verification test, a Calibration procedure and Troubleshooting information. The calibration procedure should be performed on a periodic basis (90 days) to detect the need for and to make required adjustments. The performance verification test can be used upon receipt of the 5200A and any other time desired to verify the correct operation of the equipment. The troubleshooting procedures will aid in the isolation of a fault to a particular pcb assembly and further, to a circuit or particular section of the pcb.

4-3. SERVICE INFORMATION

4-4. Each instrument that is manufactured by the John Fluke Mfg. Co., Inc. is warranted for a period of one year upon delivery to the original purchaser. The WARRANTY is located at the front of the manual.

4-5. Factory authorized calibration and service for each Fluke product is available at various world-wide locations. A complete list of domestic service centers is located at the front of this manual. Shipping information is given in Section 2. If requested, an estimate will be provided to the customer before any repair work is begun on instruments that are beyond the warranty period.

4-6. GENERAL MAINTENANCE

4-7. Cleaning Instructions

4-8. Periodically (at least every 90 days) clean the 5200A to remove dust, grease and other contaminants using the following procedure:

- a. Insure power is removed from the 5200A.
- b. Remove the top and bottom covers and the internal top covers from the power supply and instrument compartments.
- c. Remove the air filter from the rear of the fan compartment. Clean the filter using either low pressure clean dry air or a water and mild detergent solution.
- d. Clean the interior of the 5200A using low-pressure clean dry air or a vacuum cleaner.
- e. If required, clean the pcb assemblies by spraying them with anhydrous ethyl alcohol to loosen the dirt and then remove it with low pressure clean dry air. Allow at least six hours for drying time before reapplying power to the 5200A.
- f. Clean the front panel and exterior surfaces with anhydrous ethyl alcohol or a soft cloth dampened with a mild solution of detergent and water.

4-9. Fuse Replacement

4-10. Listed below are the correct replacements for the Line Power Fuses. Use only the correct rating as a replacement, dependent upon the supply voltage:

- a. Line voltage 100 or 115 volts - MDX 1½ amp
- b. Line voltage 200 or 230 volts - MDX ¾ amp

4-11. Line Voltage Selection

4-12. The 5200A can operate from any one of four possible line voltages. Selection between 100, 115, 200, or

230 is performed by a combination of switch settings which may be changed locally if required. The switches may be set to the desired configuration using the procedure given in Section 2 under the heading of Input Power.

CAUTION

Voltages of ± 300 volts are present within the instrument (Power Supply, Power Amp and Front Motherboard) for up to two minutes after power is removed from the system. Extreme caution should be exercised any time that the inner covers are removed from the instrument for servicing.

4-13. Lamp Replacement

4-14. The indicators on the 5200A are Light Emitting Diodes (LEDs). If replacement is required, use the following procedure:

- a. Insure power is removed from the 5200A.
- b. Remove the VERNIER control knob.
- c. Remove, if installed, the shorting links on the front output terminals.
- d. Remove the top and bottom covers.
- e. Remove the five screws under the side decals that secure the front handles and front panel to the mainframe.
- f. The front panel is now free to be moved away from the switch panel for access to the LEDs. The front panel may be removed entirely if desired by removing the wires from the pcb that bring the line voltage to the power switch.
- g. Remove the LEDs requiring replacement from the extension sockets and replace.
- h. After replacement reassemble the 5200A in reverse order.

4-15. Access to the Mainframe PCB Assemblies

4-16. Use the following procedure to gain access to the pcs: (Location of the individual pcs within the instrument compartment is illustrated in Figure 4-1.)

- a. Insure power is removed from the 5200A.
- b. Remove the top outer and inner covers from the instrument.

- c. The desired pcb may be removed by grasping the color-coded retainers and gently rocking the pcb while moving it to the rear. Once the pcb is free from the motherboard lift it out of the instrument compartment. Both the pcb and its location in the motherboard are color-coded for ease in removal and replacement. Some pcs have conhex cable connectors which must be removed prior to lifting the board free from the motherboard.
- d. The two top inner covers have labeled adjustment ports to facilitate the calibration procedure. All calibration points but two power supply adjustments can be reached through these ports. For troubleshooting the boards are removed from the motherboard and installed on an optional extender board. (A4)

- e. Reverse the procedure to replace the boards.

4-17. Power Supply Motherboard Removal

4-18. To service the Power Supply Motherboard and its unregulated voltage components use the following procedure:

- a. Insure power has been disconnected from the 5200A for at least two minutes.
- b. Remove the top outer and inner covers from the instrument.
- c. Remove the Attenuator pcb from the instrument.
- d. Remove the two small power supply pcs from the power supply motherboard with a gentle rocking motion and movement to the right.
- e. Disconnect the Line Power plug from the Power Supply Transformer board located on the top edge of the pcb at the rear of the Power Supply compartment.
- f. Remove the three hold down screws that connect the Power Supply Motherboard bulkhead to the bottom inner cover.
- g. Carefully move the power supply motherboard bulkhead with the transformer pcb still attached to the rear with a gentle rocking motion. Once free, move the front of the bulkhead toward the right side and forward to remove the bulkhead and pcs from the power supply compartment.
- h. Reverse the procedure to replace the boards.

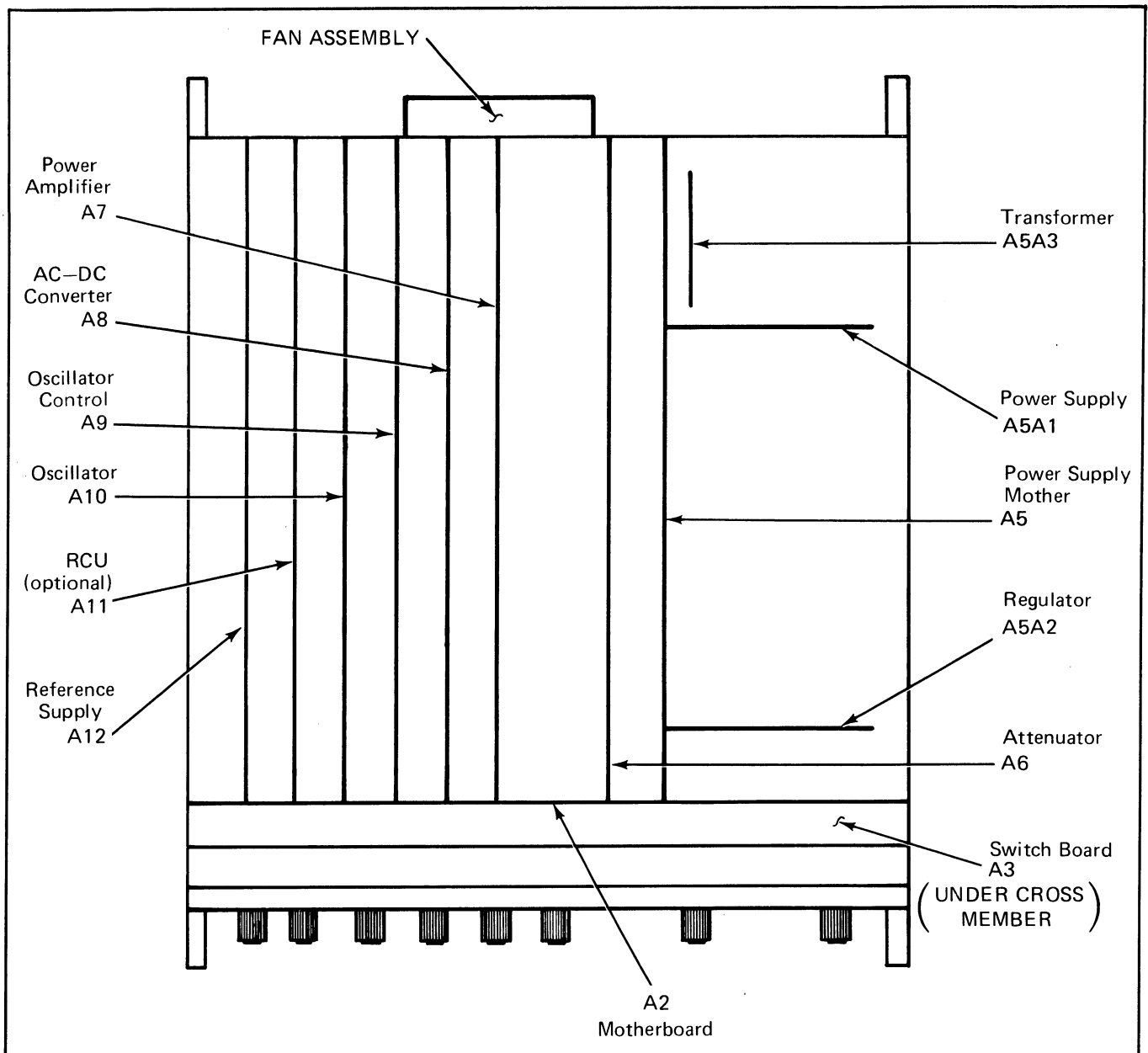


Figure 4-1. PCB ASSEMBLY LOCATIONS

4-19. Front Motherboard Removal

4-20. The front motherboard may be removed using the following procedure after all of the mainframe pcbs and the power supply pcbs have been removed.

- a. Set the opened 5200A upright with the Front Panel down.
- b. Remove the screws that fasten the motherboard to the mainframe.
- c. Carefully lift the motherboard away from the mainframe.
- d. Reverse the procedure to replace the motherboard.

CAUTION

Long pins extend from the motherboard through the mainframe and connect to the Switch pcb assembly. Care must be used to insure that none of these pins are bent or broken while handling this pcb.

4-21. Access to the Switch PCB Assembly

4-22. Use the following procedure for access to the switch pcb assembly.

- a. Insure power is removed from the 5200A.
- b. Remove the VERNIER control knob.
- c. Remove, if installed, the shorting links on the front output terminals.
- d. Remove the top and bottom covers.
- e. Remove the five screws under the side decals that secure the front handles to the front panel.
- f. Move the front panel away to gain access to the power switch pcb and disconnect the power wires from it.
- g. Remove the hardware holding the four metal covers in place for access to the switches and the switch assembly pcb.
- h. Remove the ten screws securing the top cover of the power supply section of the instrument and remove the cover.
- i. Unplug and remove the REG ASSY PCB (the board closest to the front of the instrument).
- j. Remove the three screws securing the Vernier Assembly to the main chassis and lower the assembly away from the chassis. Unplug the three leads from the Vernier Assy pot to the PCB.
- k. Reverse the procedure to replace the assembly PCB

CAUTION

Long pins connect the switch assembly pcb to the motherboard through the mainframe. Care must be used to insure that none of these pins are bent or broken while handling this pcb.

4-23. PERFORMANCE VERIFICATION CHECKS

4-24. Introduction

4-25. The following paragraphs contain a performance verification procedure. These tests may be used as an acceptance test upon original receipt of the equipment, to verify calibration at any time prior to a scheduled calibration cycle or as an aid in troubleshooting.

4-26. The test equipment required for the performance test is listed in Table 4-1. If the recommended equipment is not available replacements with equivalent specifications may be used.

4-27. In addition to the test equipment recommended in Table 4-1, several accessory items are required to calibrate and service the 5200A. With the exception of the extender board, these are common items which may be easily obtained or fabricated locally. These accessory items are listed in Table 4-2.

Table 4-1. TEST EQUIPMENT

TEST EQUIPMENT	RECOMMENDED MODEL
Digital Voltmeter	Fluke Model 8600A
Thermal Transfer Standard	Fluke Model 540B *
DC Voltage Calibrator	Fluke Model 343A
RMS Differential Voltmeter	Fluke Model 931B
Differential AC-DC Voltmeter	Fluke Model 887A
Test Oscillator	General Radio Model 1310A or Fluke Model 5200A
Phase Meter	Wiltron Model 351 or 355
Wave Analyzer	Hewlett-Packard Model 310A
Frequency Counters	Fluke Model 1900A
Oscilloscope (with sensitive differential plug-in)	Tektronix Model 7603 (with model 7A22 vertical plug-in)
Autotransformer	Variac
Distortion Analyzer	HP 330 Series

* A Standards Lab calibration on the 540B is required to give correction at 100 kHz to 100V that are accurate within +/-0.02% or better.

Table 4-2. TEST ACCESSORIES

ACCESSORY	USE						
Extender Board	Used to gain access to pcb during troubleshooting. Available from John Fluke Mfg. Co., Inc. Request 5200A-7015K Extender Board Kit.						
Coax Extension Cables (2 ea.)	Part of Extender Board Kit or can be fabricated from RG 187A/U, RG 188A/U or equivalent. Make approximately 18 inches long with a conhex male connector on one end and a female connector on the other. Used when pcb are on the extender board.						
Coax Test Cables (2 ea.)	Fabricate from RG 58U or coax cable with a similar capacity per foot rating. Each cable should be 12 inches long with a BNC male connector on one end and a GR double banana plug on the other. These cables and a BNC "T" are used for voltage accuracy verification and calibration.						
Grounding Leads (2 ea.)	Standard leads with insulated alligator clips at each end. Used for proper grounding during accuracy measurements.						
Twisted Pair Cable	Fabricate from twisted pair with foil or similar shielding. The cable should be approximately three feet long. It should have two BNC male connectors on one end with the shield connected to the BNC shell. The other end should have the pair connected to the GR double banana and the shield connected to a GR single banana plug. This cable is used for verification and calibration of the millivolt levels.						
Loads	<p>Loads with the following values are required to check load regulation at various levels. Placing each load across a GR double banana plug facilitates their use.</p> <table border="0" data-bbox="630 1010 1382 1073"> <tr> <td>0 ohms (short)</td> <td>20 ohms/1 watt</td> <td>50 ohms/2 watts</td> </tr> <tr> <td>200 ohms/2 watts</td> <td>2K ohms/10 watts</td> <td>593pF/100 volts</td> </tr> </table>	0 ohms (short)	20 ohms/1 watt	50 ohms/2 watts	200 ohms/2 watts	2K ohms/10 watts	593pF/100 volts
0 ohms (short)	20 ohms/1 watt	50 ohms/2 watts					
200 ohms/2 watts	2K ohms/10 watts	593pF/100 volts					
Accessories	Standard adapters, connectors and cables as required.						

4-28. Equipment Set-Up

4-29. Perform the following procedure prior to beginning any operation. The equipment should have a warm-up period of at least one hour prior to performing any test.

- a. Insure that power is applied to the 5200A and the POWER switch is ON.
- b. Set the MODE switch to STDBY.
- c. Set the CONTROL switch to LOCAL.
- d. Set the PHASE LOCK switch to OFF.
- e. Set the SENSE switch to EXT.
- f. Set the VOLTAGE ERROR-% switch to OFF.
- g. Verify that only those indicators selected by the listed switch settings, plus the decimal indicators applicable for the voltage and frequency ranges selected are illuminated. All other indicators, including OVERLOAD, should be extinguished.

4-30. Output Accuracy Test - Voltage Ranges

4-31. The output accuracy test may be performed by either of two different methods. The first and preferred method uses the thermal transfer method (Fluke Model 540B). The A55 Thermal Converters may also be used with the transfer standard for increased accuracy if available. The second method requires a Certified AC Differential Voltmeter (Fluke Model 931B) to perform the test.

4-32. THERMAL TRANSFER METHOD

4-33. Use the following procedure to perform the output accuracy test by the thermal transfer method. Connect the equipment as shown in Figure 4-2 to perform the test.

- a. Insure the equipment set-up procedure in paragraph 4-28 has been performed.
- b. Select the desired output voltage and frequency from the 5200A. Suggested, representative voltage and frequency combinations are given in Table 4-3.

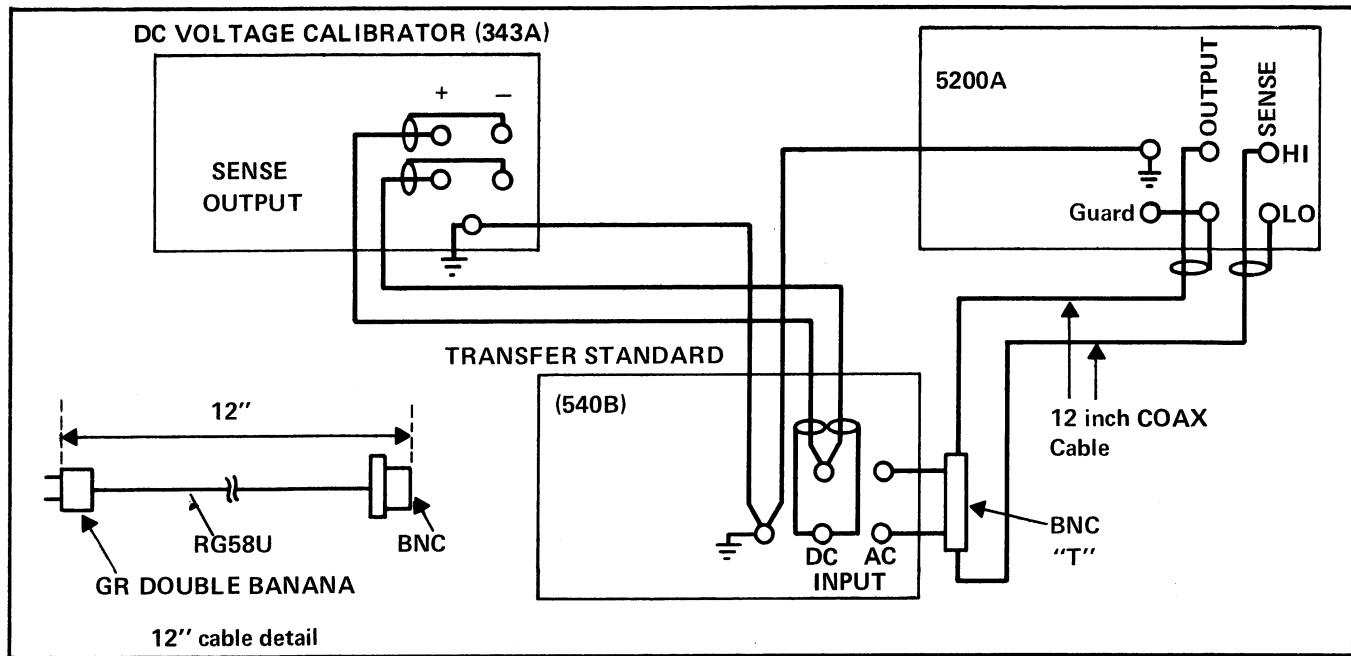


Figure 4-2. OUTPUT ACCURACY TEST EQUIPMENT CONFIGURATION

Table 4-3. OUTPUT VOLTAGE ACCURACY TEST TOLERANCES

FREQ/RANGE	VOLTS/RANGE			
	1/1	1/10	10/10	100/100
1kHz/1kHz	±0.02%	±0.04%*	±0.02%*	±0.02%*
20 kHz/100 kHz	±0.02%	±0.04%	±0.02%	±0.02%
100 kHz/100 kHz	±0.05%	±0.10%	±0.05%	±0.05%
1MHz/1MHz	±0.33%*	±0.66%*	±0.33%	NOT ALLOWED

* These points are adjusted during the calibration procedure.

CAUTION

Ensure that the selected 5200A output voltage and the voltage rating of the thermal transfer standard are the same before continuing.

- c. Set the MODE switch to OPER.
- d. Perform the transfer measurements. Refer to the transfer standard instruction manual for the procedure for precision ac/dc transfer measurements.
- e. Repeat step d for each desired voltage and frequency combination.

4-34. CERTIFIED AC DIFFERENTIAL VOLTMETER METHOD

4-35. This method requires certifying an AC Differential Voltmeter, such as the Fluke Model 931B, at the desired voltage/frequency settings and using it as a Transfer Standard.

Care must be taken that the 931B is cycled through certification often enough to verify its stability and repeatability. Use the following procedure to perform the Output Accuracy Test:

- a. Connect the equipment as shown in Figure 4-3.
- b. Insure the equipment set-up procedure in paragraph 4-28 has been performed.
- c. Select the desired output voltage and frequency from the 5200A. Suggested representative voltage and frequency combinations are given in Tabel 4-3.
- d. Set the MODE switch to OPER.
- e. Perform the measurements using the AC Differential Voltmeter.
- f. Repeat step e for each desired voltage and frequency combination.

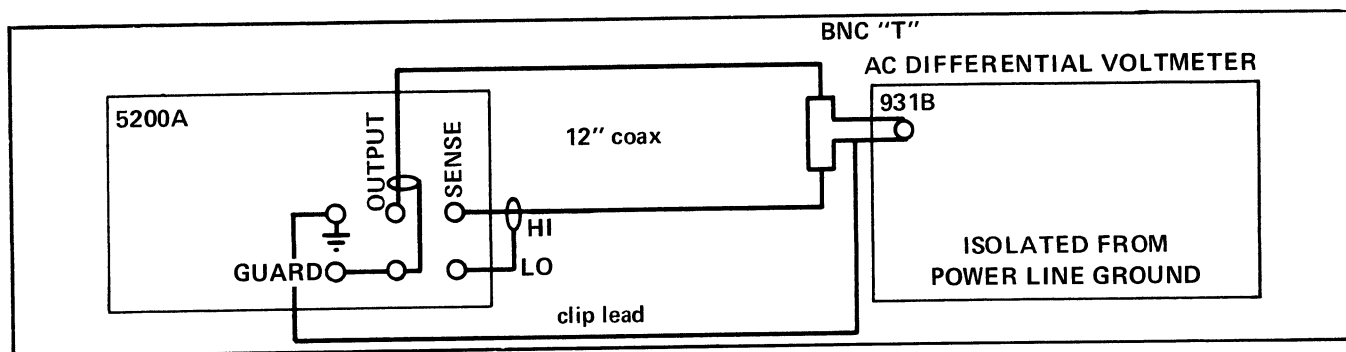


Figure 4-3. OUTPUT ACCURACY ALTERNATE CONFIGURATION

4-36. Output Accuracy Test - Millivolt Ranges

4-37. The 5200A millivolt accuracy depends primarily on the linearity of the control loop and the ratio accuracy of the attenuator transformers. The control loop linearity is calibrated at full scale and one-tenth of full scale in the 10V mode of operation. The source control loop levels are maintained even in the millivolt range of operation, therefore the millivolt output depends primarily on the accuracy of the attenuator transformers and their related circuitry. To test and verify these voltages care is required to insure that ground, guard, shield, thermal, and line related currents are not present, and that external rf radiations do not enter into the measurement signal level.

4-38. The basic method used to verify the millivolt levels is to ratio-down from ten-percent of full-scale on one range to full scale on the next lower range. Voltage accuracy is then the algebraic sum of all errors noted up to that measurement level. The following procedure is recommended for use, and if followed closely, will yield measurements that are substantially correct. It is recommended that the frequencies used be selected according to the normal application of the instrument.

NOTE!

This test assumes results of 1/10 and 10/10 columns of Table 4-3 are sufficiently close to zero error to be ignored, i.e. 1/4 or less of the applicable tolerance for the point being measured in Table 4-4. If required, adjustment per the "Calibration Procedures Section" is recommended to minimize the 10:1 control loop non-linearity.

4-39. Use the following procedure to perform the millivolt output accuracy test. (Use the specifications listed in Table 4-4 and connect the equipment as shown in Figure 4-3.)

NOTE!

During the following tests always set the differential null meter to the lowest range that gives an on-scale reading for a final null.

- a. Insure the equipment set-up procedure in paragraph 4-28 has been performed.
 - b. Set the 5200A output to 100 mV (0.1 volt) on the 1 volt range. Set the frequency range for the desired frequency (typically 1 kHz, 10 kHz, 100 kHz, 1 MHz, etc.).
 - c. Set the MODE switch to OPER.
 - d. Vary the ac differential voltmeter (931B) dial settings to obtain a precise null. Do not change the setting of the 931B voltage dials.
 - e. Set the 5200A output to 100 mV on the 100 mV range. Remove the 12-inch coaxial cable from the SENSE terminals of the 5200A and ac differential voltmeter.
- NOTE!**
- Internal sensing is automatic on the 5200A millivolt ranges.*
- f. Note and record the 931B null meter reading in percent. The reading should not be greater than the figure listed for the voltage/frequency selected in Table 4-4.
 - g. Connect the equipment as shown in Figure 4-4 for the remainder of the test.
 - h. Set the 5200A output to 10 mV on the 100 mV range.
 - i. Adjust the oscilloscope differential amplifier for a gain of 100 (1 volt output) and the ac differential voltmeter (931B) for a precise null on the 1 volt range. Do not change the test equipment settings until the 10 mV readings are complete.
 - j. Set the 5200A output to 10 mV on the 10 mV range.
 - k. Record the null meter reading in percent. Algebraically add it to the reading of step f.

Table 4-4. MILLIVOLT RANGES OUTPUT ACCURACY TESTS TOLERANCES

	10Hz - 30Hz (0.1% + 10 uV)	30Hz - 20kHz (0.02% + 10 uV)	20kHz-100kHz (0.05% + 20 uV)	0.1MHz-1.0MHz (0.33% + 30uV)
Difference = A 100mV/1V range compared to 100mV/100mV range	±0.11%	±0.03%	±0.07%	±0.36%
Difference + A = B 10mV/100mV range compared to 10mV/10mV range	±0.2%	±0.12%	±0.25%	±0.63%
Difference + B = C 1mV/10mV range compared to 1mV/1mV range	±1.1%	±1.02%	±2.05%	±3.33%

An algebraic total must be calculated to verify the 10mV and 1mV levels. Add the difference noted in the 100mV comparison to the difference noted in the 10mV comparison for a 10mV verification total. Further, add this 10mV verification total to the 1mV comparison difference for a 1mV verification total. If the algebraic totals for each millivolt level is significantly below the specification levels in this table the small error in linearity from full scale to tenth scale may be ignored.

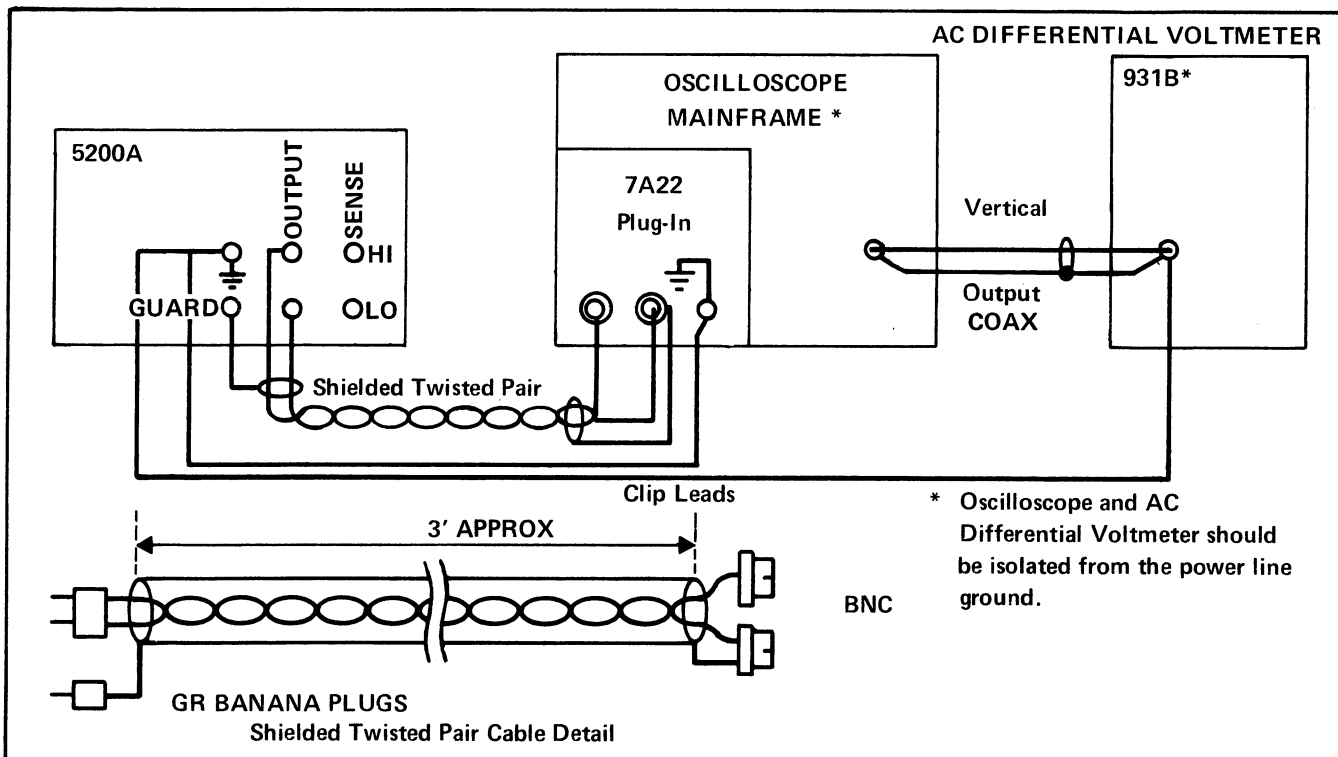


Figure 4-4. OUTPUT ACCURACY MILLIVOLT CONFIGURATION

Record the result. It should not be greater than the figure listed for the voltage/frequency selected in Table 4-4.

Adjust the oscilloscope differential amplifier (7A22) gain to 1,000 (1 volt output) and adjust the 931B for a precise null on the 1 volt range. Do not change the test equipment settings until the 1 mV readings are complete.

1. Set the 5200A output to 1 mV on the 10 mV range.

- n. Set the 5200A output to 1 mV range.
- o. Record the null meter reading in percent and algebraically add it to the result in step k and record. The result should not be greater than the figure listed for the voltage/frequency selected in Table 4-4.

NOTE!

The following procedure makes the assumption that the tests in Table 4-3 were sufficiently close to zero to ignore any errors; i.e., less than 25% of the allowable error at the testing point. If the readings do not meet this four-to-one requirement perform the calibration procedure to obtain the desired accuracies.

The statement, "Do not change the equipment setting", does not apply to the null range switch. Movement of this switch is often required to obtain null meter readings.

4-40. Frequency Output Test

4-41. The frequency accuracy of the 5200A may be verified using the following procedure.

- a. Connect the frequency counter to the COUNTER OUT connector (J66) at the rear of the 5200A.
- b. Set the 5200A to the frequency and voltage desired.
- c. Monitor the frequency counter for the selected frequency within the tolerances listed in the specifications in Section 1.

NOTE!

A list of representative frequencies and their tolerances are given in Table 4-5.

4-42. Connect an oscilloscope to the J66 connector at the rear of the 5200A. The output should be at least 2.5 volts peak-to-peak at all frequency ranges.

4-43. Distortion Tests

4-44. Paragraph 4-45A tests harmonic distortion from 20 kHz to 400 kHz using a wave analyzer. Paragraph 4-45

tests harmonic distortion from 10 Hz to 20 kHz using a total distortion analyzer and filter network. Table 4-6 lists voltage levels and frequencies from 20 kHz to 400 kHz which may be tested using either the wave analyzer or a total distortion analyzer. If desired, a spectrum analyzer may be used to test frequencies above 600 kHz using a method similar to that detailed in paragraph 4-45A.

4-45. The procedure to verify output frequencies less than 20 kHz is listed below. The filter shown is not required at voltage outputs of 1V or greater on the 1 volt range, greater than 5V on the 10 volt range, or at any higher range.

- a. Insure that the equipment set-up procedure in paragraph 4-38 has been performed.
- b. Set the SENSE switch to INT.
- c. Connect the equipment as shown in Figure 4-4A.

NOTE!

Ground the 5200A at the power line. Connect the power line ground and front panel ground on the distortion analyzer as required to obtain the lowest distortion reading.

- d. Measure the distortion present at the frequencies and voltage levels listed in Table 4-5A, verifying that the measured distortion is less than the figure shown in the maximum distortion column.

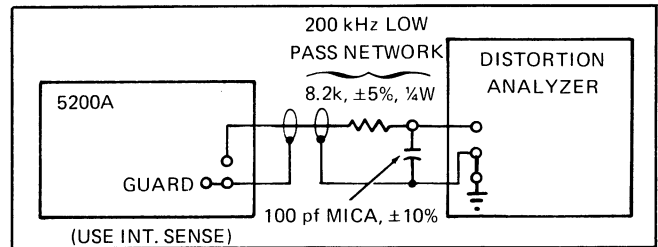


Figure 4-4A. LOW FREQUENCY DISTORTION TESTS

Table 4-5. FREQUENCY ACCURACY TEST TOLERANCES

FREQUENCY RANGE	SELECTED FREQUENCY	TOLERANCE
100 Hz	50 Hz	±0.6 Hz
	100 Hz	±1.1 Hz
1 kHz	0.5 kHz	±0.006 kHz
	1 kHz	±0.011 kHz
10 kHz	5 kHz	±0.06 kHz
	10 kHz	±0.11 kHz
100 kHz	50 kHz	±0.6 kHz
	100 kHz	±1.1 kHz
1 MHz	0.5 MHz	±0.018 MHz
	1 MHz	±0.033 MHz

Table 4-5A. LOW FREQUENCY DISTORTION TESTS

FREQUENCY	RANGE	VOLTAGE	RANGE	MAX. DISTORTION
10 Hz	100 Hz	0.3V	1V	0.081%
50 Hz	100 Hz	0.3V	1V	0.041%
1 kHz	1 kHz	0.3V	1V	0.041%
10 kHz	10 kHz	0.3V	1V	0.041%
20 kHz	100 kHz	0.3V	1V	0.041%
10 Hz	100 Hz	1.0V	10V	0.041%
20 kHz	100 kHz	1.0V	10V	0.041%
Remove Filter Network from Set-up				
10 Hz	100 Hz	1.0V	1V	0.081%
20 kHz	100 kHz	10.0V	10V	0.041%
20 kHz	100 kHz	100.0V	100V	0.041%

4-45A. The procedure to verify the 20 kHz to 400 kHz area is described below. To use either of the other methods refer to the instruction manual for the test instrument selected.

- a. Insure the equipment set-up procedure in paragraph 4-28 has been performed.
- b. Set the SENSE switch to INT.
- c. Connect the 5200A output to the Wave Analyzer input.
- d. Set the 5200A output to the voltage and frequency range desired.
- e. Set the MODE switch to OPER.
- f. Measure and record the reading on the wave analyzer at the second and third harmonic of the selected frequency.
- g. Calculate the root mean square (the square root of the sum of the squares) of the readings obtained above and verify it is within the specifications listed in Section 1 for the frequency and voltage selected.
- h. Apply a 50 mA load.
- i. Repeat steps f and g above with the load applied.

NOTE!

Table 4-6 contains a list of representative frequencies, voltages, loads and tolerances for the Harmonic Distortion test.

4-46. Overload Test

4-47. The overload indicator illuminates when the output load substantially exceeds the maximum specified 50 mA

load limit on the 1, 10 and 100-volt ranges. Use the following procedure to perform the overload test:

- a. Insure the equipment set-up procedure in paragraph 4-28 has been performed.
- b. Set the 5200A output to 10 volts on the 10-volt range.
- c. Set the 5200A output to 1 kHz on the 1 kHz range.
- d. Connect a power-line grounded AC Differential Voltmeter to the 5200A sense terminals using a 12" length of coaxial cable. Use INT* sense. Connect the 5200A OUTPUT LOW-TO-GUARD link.

***NOTE!**

On older Phase One instruments built before 1974 generally having 5-digit serial numbers, it may be necessary to use EXT sense and shorting bars between output and sense due to location of internal sense relay too far from output terminals.

- e. Apply a 200-ohm, 2-watt carbon composition resistor to the output terminals of the 5200A.
- f. The output voltage should change less than ± 500 uV rms ($\pm 0.005\%$) for the applied 50 mA rms load.
- g. Remove the 200-ohm resistor and apply a 50-ohm, 2-watt carbon composition resistor.
- h. The overload indicator should light and the measured output voltage should drop.
- i. Remove the 50-ohm resistor.
- j. The overload indicator should go out and the measured output voltage should return to its original reading.

Table 4-6. DISTORTION TEST SETTINGS AND TOLERANCES

FREQUENCY	RANGE	VOLTAGE	RANGE	LOAD VALUE	NO LOAD	FULL LOAD
20 kHz	100 kHz	1 volt	1 volt	20 ohms	< 0.041%	< 0.1%
50 kHz	100 kHz	1 volt	1 volt	20 ohms	< 0.041%	< 0.19%
100 kHz	100 kHz	1 volt	1 volt	20 ohms	< 0.041%	< 0.34%
20 kHz	100 kHz	10 volts	10 volts	200 ohms	< 0.041%	< 0.046%
50 kHz	100 kHz	10 volts	10 volts	200 ohms	< 0.041%	< 0.055%
100 kHz	100 kHz	10 volts	10 volts	200 ohms	< 0.041%	< 0.07%
400 kHz	1 MHz	10 volts	10 volts	200 ohms	< 0.303%	< 0.303%

- k. Repeat steps g through j substituting a shorting wire for the 50-ohm resistor. The results should be the same.

4-48. Load Regulation Verification Test

4-49. Perform the load regulation test using the following procedure:

- a. Connect the equipment as stated in step d of paragraph 4-47.
- b. Insure the equipment set-up procedure in paragraph 4-28 has been performed.
- c. Set the 5200A output to the voltage and frequency combinations desired for load regulation verification. Representative values are listed in Table 4-7.
- d. Set the MODE switch to OPER.
- e. Obtain a null on the ac differential voltmeter (931B).
- f. Apply the required load to the 5200A OUTPUT terminals.
- g. Note the reading on the ac differential voltmeter (931B). After settling it must not have shifted more than allowed in the specifications in Section 1.

4-50. Line Regulation Test

4-51. The 5200A line regulation may be checked using the following procedure:

- a. Connect the 5200A to the input line voltage through an autotransformer. Adjust the autotransformer for an input voltage of 115 volts AC.

NOTE

This procedure is written on the assumption that the standard 115 volts has been selected as the input line voltage. If any of the other three pos-

sibilities (100, 200 or 230) have been selected the figures listed as the basic $\pm 10\%$ must be adjusted accordingly.

- b. Insure the equipment set-up procedure in paragraph 4-28 has been performed.
- c. Set the 5200A output to 10 volts on the 10-volt range and 1 kHz on the 1 kHz range.
- d. Connect the equipment as shown in Figure 4-3, replacing the ac differential voltmeter (931B) with a Fluke Model 887A AC-DC Differential Voltmeter.
- e. Set the MODE switch to OPER.
- f. Adjust the differential voltmeter for an ac null.
- g. Lower the line voltage to 103 volts.
- h. The output voltage should not change more than $\pm 100 \mu\text{V}$.
- i. Raise the line voltage to 127 volts.
- j. The output voltage should not change more than $\pm 100 \mu\text{V}$ from the reading at 115 volts.

4-52. Phase Lock

4-53. The 5200A Phase Lock circuitry may be checked using the following procedure:

- a. Insure the equipment set-up procedure in paragraph 4-28 has been performed.
- b. Connect the 5200A OUTPUT terminals to one channel of a dual channel oscilloscope.
- c. Connect the other channel of the oscilloscope to a test oscillator.
- d. Connect the test oscillator output to the 5200A PHASE LOCK input (J64) on the 5200A rear panel.

Table 4-7. LOAD REGULATION TEST VALUES AND TOLERANCES

VOLTAGE	RANGE	FREQUENCY	RANGE	LOAD	TOLERANCE
1 volt	1 volt	20 kHz	100 kHz	20 ohms	$\pm 0.006\%$
1 volt	1 volt	100 kHz	100 kHz	20 ohms	$\pm 0.01\%$
1 volt	1 volt	1 MHz	1 MHz	50 ohms	$\pm 0.1\%$
10 volts	10 volts	20 kHz	100 kHz	200 ohms	$\pm 0.006\%$
10 volts	10 volts	100 kHz	100 kHz	200 ohms	$\pm 0.01\%$
10 volts	10 volts	1 MHz	1 MHz	200 ohms	$\pm 0.1\%$
100 volts	100 volts	20 kHz	100 kHz	2k ohms	$\pm 0.006\%$
100 volts	100 volts	100 kHz	100 kHz	2k ohms	$\pm 0.012\%$
60 volts	100 volts	0.2 MHz	1 MHz	593 pF	$\pm 0.04\%$

- e. Obtain an output from the test oscillator of 10 volts rms at 1 kHz.
- f. Set the 5200A for an output of 10 volts at 1 kHz.
- g. Set the oscilloscope to external trigger and the input mode to chop. The two wave forms should be displayed, out of phase with each other.
- h. Set the PHASE LOCK switch to ON. The two waveforms should come into sync on the display.
- i. Further verification of the phase lock operation may be made by adjusting the 5200A frequency to $\pm 2\%$ of the test oscillator frequency. When the PHASE LOCK switch is turned back ON sync between the two waveforms should be restored. Lock should occur at all 5200A output frequencies as long as the 5200A and test oscillator frequencies are within 2% of each other.

NOTE

If phase lock angles require verification use the phase lock calibration procedures.

4-54. Quadrature Output Test

4-55. The voltage level at the QUADRATURE OUT (J65 on the rear panel) should vary from one to ten volts $\pm 10\%$, as selected by the most significant digit of the voltage range. The following procedure verifies the amplitude accuracy for the 1 MHz range: (Other frequency ranges should be substantially better in output level flatness versus frequency.)

- a. Insure the equipment set-up procedure in paragraph 4-28 has been performed.
- b. Set the 5200A output to 10 volts on the 10-volt range and 1 MHz on the 1 MHz range.
- c. Connect the ac differential voltmeter to the quadrature output using a 12-inch RG58U or equivalent coaxial cable.
- d. Set the MODE switch to OPER.
- e. Obtain a 10% range null on the differential voltmeter.
- f. Vary the frequency through the 1 MHz range. The quadrature output should be 10 volts rms $\pm 10\%$ throughout the entire range.
- g. Other frequency ranges, as desired, may be checked in the same manner.

4-56. Voltage Error Control Test

4-57. Use the following procedure to check the voltage error control:

- a. Insure the equipment set-up procedure in paragraph 4-28 has been performed.
- b. Set the 5200A for an output of 10 volts on the 10-volt range and 1 kHz on the 1 kHz range.
- c. Connect the equipment as shown in Figure 4-3.
- d. Set the MODE switch to OPER.
- e. Obtain a null on the ac differential voltmeter (931B).
- f. Set the VERNIER dial to 0 and the VOLTAGE ERROR-% switch to X1.
- g. The ac differential (931B) indication should not change more than $\pm 0.01\%$ (± 1 mV).
- h. Check the end point accuracy of the vernier by setting the ac differential voltmeter (931B) dials to 10.3XXX (least-significant digits are variable) and the 5200A VERNIER dial to -3.0 . The null on the ac differential voltmeter (931B) should be the same as in step g, $\pm 0.05\%$.
- i. Check the other end point accuracy by setting the 931B dials to 9.7XXX and the 5200 VERNIER dial to $+3.0$. The null on the ac differential voltmeter (931B) should again be the same as in step g, $\pm 0.05\%$.
- j. Repeat steps g through i with the VOLTAGE ERROR-% switch in the X.1 position. The tolerances increase to $\pm 0.001\%$ and $\pm 0.005\%$ for steps g and h, i respectively.

4-58. CALIBRATION PROCEDURES**4-59. Introduction**

4-60. The 5200A Calibration procedure should be performed at least every 90 days. Because of circuit interaction it should be performed in the sequence given in the following paragraphs. The recommended test equipment and accessories are listed in Tables 4-1 and 4-2. It is further recommended that all adjustments be made with a small insulated blade screwdriver.

NOTE

Prior to beginning the periodic calibration procedure it is recommended that the Cleaning Instructions contained in paragraph 4-7 be performed.

4-61. Equipment Preparation

4-62. Prepare the equipment for calibration using the following procedure:

- a. Remove the top outer cover from the 5200A.

- b. Remove the two inner covers to expose the pcbs.
- c. Perform the equipment set-up procedure in paragraph 4-28.

CAUTION!

Voltages of ± 300 volts are present within the instrument (Power Supply, Power Amp and Front Motherboard) for up to two minutes after power is removed from the system. Extreme caution should be exercised any time that the inner covers are removed from the instrument for servicing.

4-63. Power Supply Calibration

4-64. Use the following procedure to calibrate the Power Supply: (Refer to Figure 4-5 for the test point locations of the Power Supply Regulator and Power Amplifier PCB Assemblies.)

- a. Insure the equipment set-up procedure in paragraph 4-28 has been performed.
- b. Connect a DVM to tp8 (HI) and tp5 (LO) on the A5A2 Power Supply Regulator pcb assembly (brown retainer pins).
- c. Adjust R32 on the Power Supply Regulator for a DVM reading of 15 ± 0.01 Vdc.
- d. Prepare the DVM to read +190 volts and move the HI lead to tp3 on the A7 Power Amplifier pcb assembly (yellow retainer pins).
- e. The DVM should read at least +185 Vdc. If the reading is less than +185Vdc readjust R32 on the Power Supply Regulator for a minimum reading of +185 volts at tp3. If the error is excessive (20% or greater) the +190V power supply is defective.

4-65. Power Amplifier Bias Calibration

4-66. Use the following procedure to calibrate the Power Amplifier Bias: (Refer to Figure 4-5 for the test point and adjustment locations on A7 Power Amplifier Assembly (yellow retainer pins).)

- a. Insure the equipment set-up procedure in paragraph 4-28 has been performed.
- b. Replace the top inner covers. Secure the cover over the power supply compartment only. Allow the 5200A to operate with the covers in place for at least 5 minutes before continuing.
- c. Set the MODE switch to OPER and the SENSE switch to INT.

CAUTION!

In the following step tp4 and tp5 are floating at approximately +190 Vdc. Use a floating DVM

only. If the DVM has a guard it must be connected to the low input terminal.

- d. Remove the inner cover from the instrument compartment and connect the DVM between tp5 (HI) and tp4 (LO) on the Power Amplifier. The DVM should read between 0.34 and 0.36 Vdc.
- e. If the reading is not within tolerance turn R26 (Bias Control) fully counter-clockwise for an approximate voltage of 0.2 Vdc. Rotate R26 clockwise until the DVM reads between 0.34 and 0.36 Vdc.

4-67. Special Calibrations

4-68. The calibration procedure in the following six subparagraphs (4-69 thru 4-74) are for circuits that do not normally require calibration. However if the performance test reveals an out of tolerance condition or a component in one of the affected circuits is changed due to a failure they should all be performed in the sequence given at this time. Refer to Figure 4-5 for the test point and adjustment locations on the A9 Oscillator Control pcb Assembly (blue retainer pins) and the A10 Oscillator pcb Assembly (violet retainer pins).

4-69. INTEGRATOR ZERO CALIBRATION

- a. Insure the equipment set-up procedure in paragraph 4-28 has been performed.
- b. Set the 5200A output to 1.19 volts on the 1-volt range and to 10Hz on the 100Hz range.
- c. Set the MODE switch to OPER and the SENSE switch to INT.
- d. Connect the DVM between tp1 (LO) on the oscillator pcb and tp5 (HI) on the oscillator control pcb. Connect a 10K-ohms resistor in series with the HI lead of the DVM.
- e. Adjust R110 on the oscillator control board for a reading of 0 ± 10 mVdc.

4-70. HIGH FREQUENCY COMPENSATION CALIBRATION

- a. Insure the equipment set-up procedure in paragraph 4-28 has been performed.
- b. Set the 5200A output to 10 volts on the 10 volt range and to 1.1999MHz on the 1MHz range.
- c. Set the MODE switch to OPER and the SENSE switch to INT.
- d. Connect a DVM between tp1 (LO) on the oscillator pcb and tp6 (HI) on the oscillator control pcb. Connect a 10K-ohm resistor in series with the HI lead of the DVM.

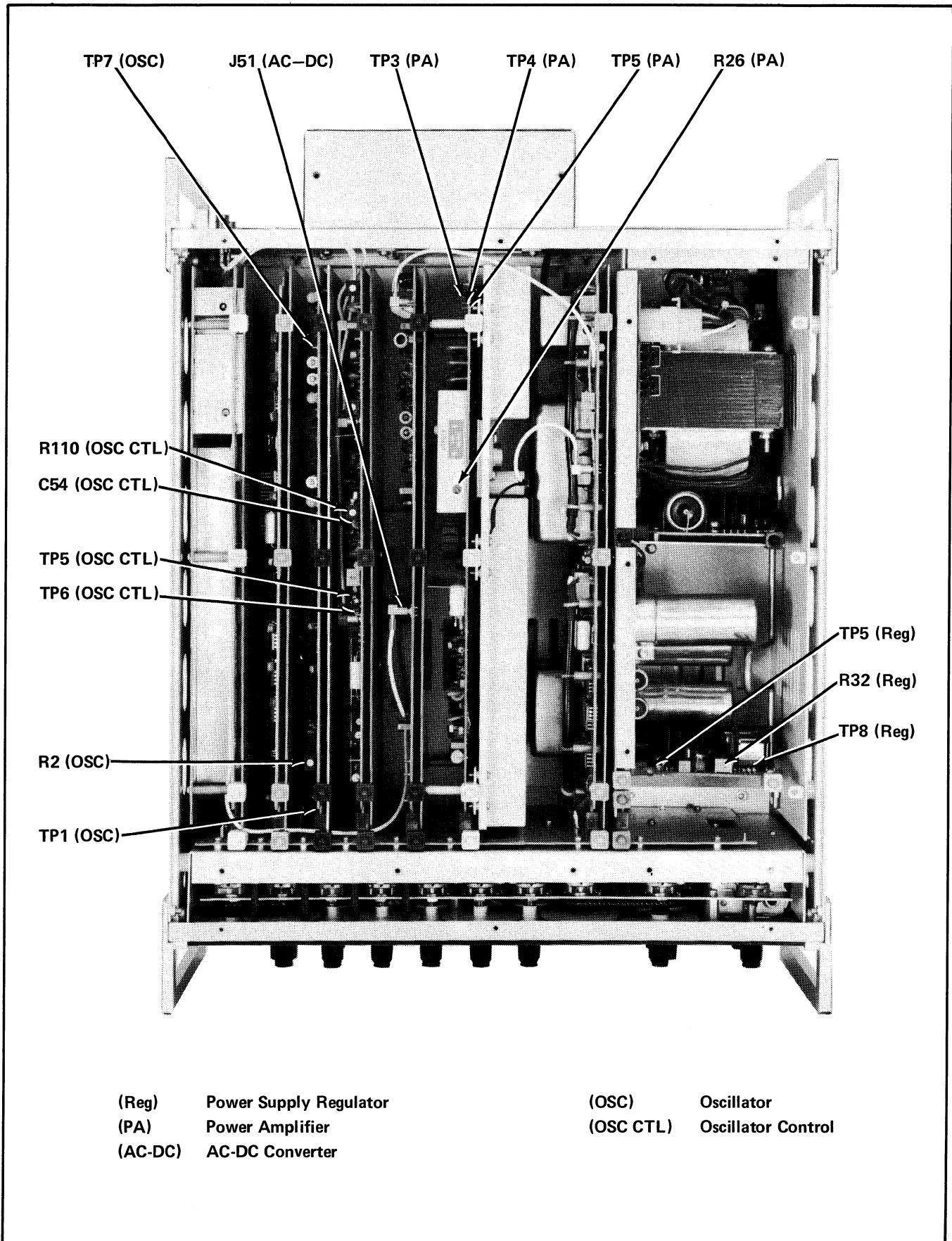


Figure 4-5. TEST POINT AND ADJUSTMENT LOCATIONS

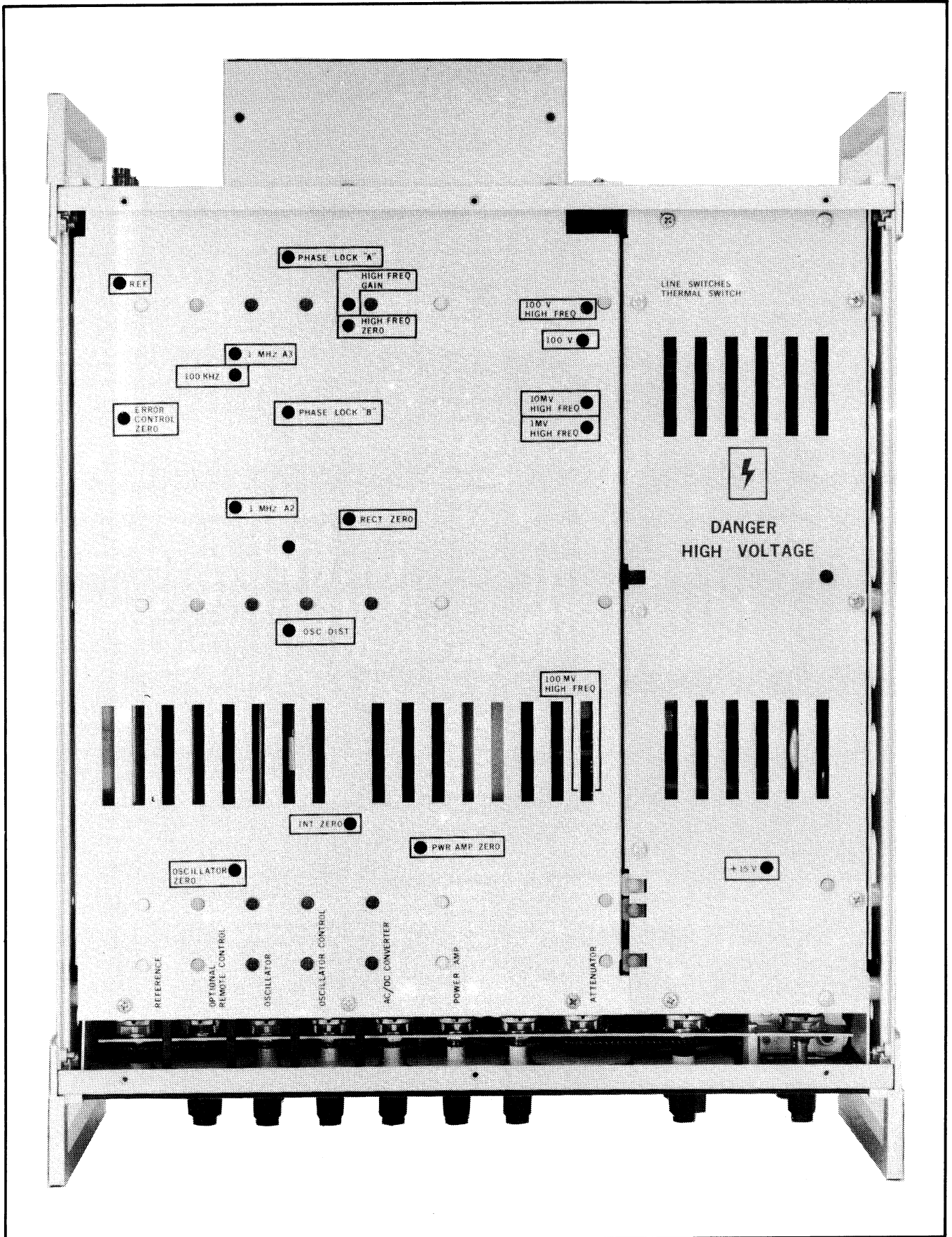


Figure 4-6. LABELED ADJUSTMENT PORTS

- e. Adjust C54 on the oscillator control pcb for a reading of 0 ± 200 mVdc.

4-71. FREQUENCY ACCURACY AND QUADRATURE LEVEL CALIBRATION

NOTE

These procedures are combined because of the interaction between the circuits.

- a. Insure the equipment set-up procedure in paragraph 4-28 has been performed.
- b. Set the 5200A output to 10 volts on the 10-volt range and 1.0520 MHz on the 1 MHz range.
- c. Install the instrument compartment inner cover and secure it at one point front and rear.

NOTE

Adjustments may be made through the installed cover at the labeled points, as shown in Figure 4-6.

- d. Connect a frequency counter to the 5200A at the COUNTER OUT connector (J66) on the rear panel.
- e. Connect an ac differential voltmeter (931B) to the QUADRATURE OUT connector (J65) on the rear panel with a 12-inch RG58U coaxial cable.
- f. Set the MODE switch to OPER and the SENSE switch to INT.
- g. The frequency counter should read between 1.0420 and 1.0620 MHz and the quadrature level should be between 9 and 11 volts.
- h. If a frequency adjustment is required, adjust 1MHz A2 (C41) and 1MHz A3 (C45) equal amount in the same direction until the frequency is within tolerance.
- i. If a quadrature level adjustment is required, adjust 1MHz A2 and 1MHz A3 equal amounts in opposite directions until the level is within tolerance.
- j. Set the 5200A output to 80kHz on the 100kHz range.
- k. Adjust 100kHz (C42) for a frequency counter reading between 79.6kHz and 80.4kHz.

4-72. PHASE LOCK CALIBRATION

- a. Insure the equipment set-up procedure in paragraph 4-28 has been performed.
- b. Set the 5200A output to 10 volts on the 10-volt range and 1kHz on the 1kHz range.

- c. Connect a test oscillator set to 10 volts rms at 1kHz to the PHASE LOCK INP connector (J64) on the 5200A rear panel.
- d. Connect two cables of the same length (approximately 2 feet) between the 5200A output and the E1 and E2 inputs of the phase meter as shown in Figure 4-7.
- e. Set the MODE switch to OPER and the SENSE switch to INT.
- f. Zero the phase meter.
- g. Disconnect the 5200A output going to the phase meter E1 input and move it to the PHASE LOCK INP connector (J64).
- h. Set the PHASE LOCK switch to ON.
- i. Record the phase meter indication.
- j. Set the 5200A output to 1 volt on the 10-volt range.
- k. The phase meter should indicate the angle obtained in step i ± 0.2 degrees. Adjust PHASE LOCK B (R109, Oscillator Control pcb) if required.
- l. Repeat steps i through k until the two readings are within 0.2 degrees without making any adjustments.
- m. Set the test oscillator output to 1 volt rms.
- n. Set the 5200A output to 10 volts on the 10-volt range.
- o. Adjust PHASE LOCK A (R52, Oscillator Control pcb) until the phase meter reads 0 ± 0.3 degrees.
- p. Set the test oscillator output to 10 volts rms.
- q. The phase meter reads 0 ± 0.3 degrees.
- r. Repeats steps o through q until the two readings are within 0.2 degrees without making any adjustments.

4-73. DISTORTION CALIBRATION

- a. Insure the equipment set-up procedure in paragraph 4-28 has been performed.
- b. Set the 5200A output to 10 volts on the 100-volt range and 100 kHz on the 100 kHz range.
- c. Remove the instrument compartment inner cover.
- d. Set the MODE switch to OPER and the SENSE switch to INT.
- e. Recheck the Power Amplifier bias level. The procedure is detailed in paragraph 4-65.
- f. Replace the instrument compartment inner cover.

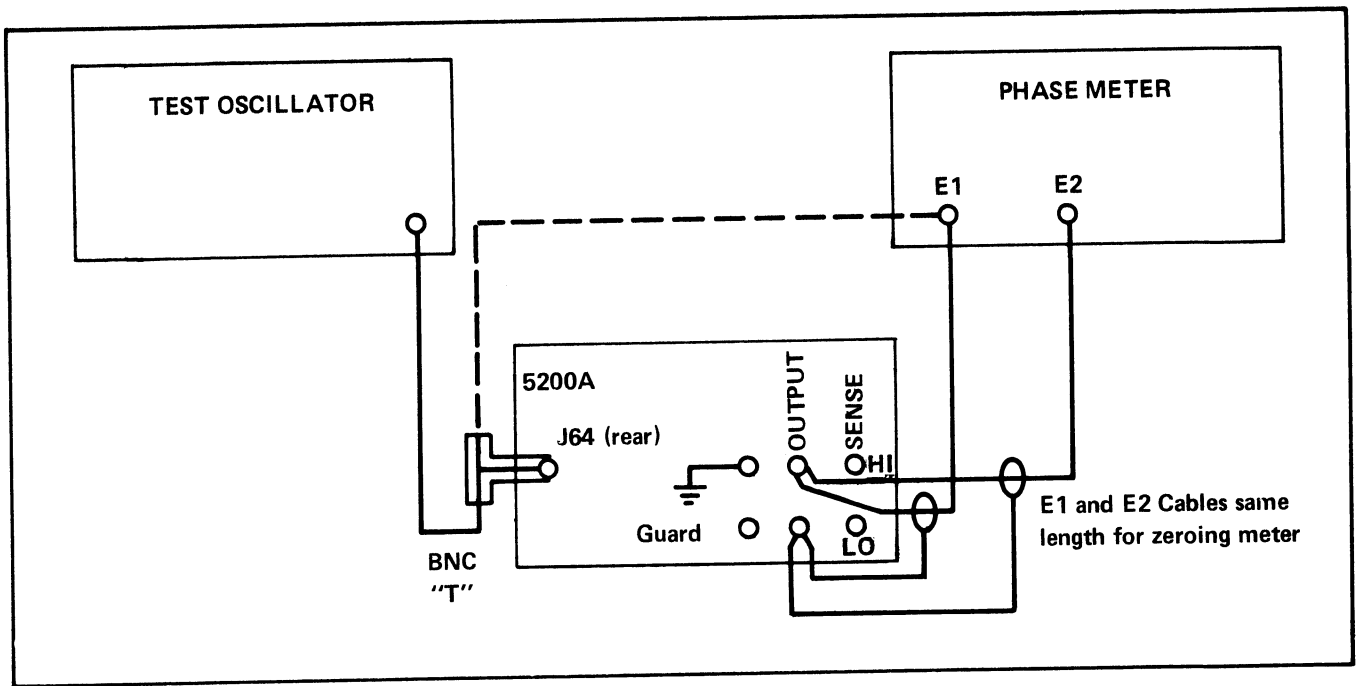


Figure 4-7. PHASE LOCK CALIBRATION CONFIGURATION

- g. Connect the wave analyzer to the 5200A output and tune to the second harmonic, approximately 200 kHz, of the input frequency.
- h. Adjust OSC DIST (R31, Oscillator Control pcb) for a minimum deflection and record this reading.
- i. Tune to the third harmonic and record the meter reading.
- j. The root mean square of the readings obtained in steps h and i should be less than 0.041%.

4-74. OSCILLATOR ZERO CALIBRATION

- a. Insure the equipment set-up procedure in paragraph 4-28 has been performed.
- b. Set the 5200A output to 1 volt on the 10-volt range and 1kHz on the 10kHz range.
- c. Remove the instrument compartment inner cover.
- d. Disconnect the white coax cable from J51 on the AC-DC Converter pcb. Connect the shields of the jack and plug together with a short alligator clip lead.
- e. Connect a DVM between tp1 (LO) and tp7 (HI) on the oscillator pcb.
- f. Set the MODE switch to ON and the SENSE switch to INT.

- g. Adjust OSCILLATOR ZERO (R2, Oscillator pcb) for a reading of $0 \pm 5\text{mVdc}$.
- h. Reconnect the coax to J51 and replace the inner cover.

4-75. Power Amplifier DC Zero Calibration

- a. Insure the equipment set-up procedure in paragraph 4-28 has been performed and both inner covers are installed.
- b. Connect the equipment as shown in Figure 4-3, replacing the ac differential voltmeter (931B) with a Fluke Model 887A AC-DC Differential Voltmeter.
- c. Set the 5200A output to 1 volt on the 10-volt range and 1kHz on the 1kHz range.
- d. Set the MODE switch to OPER.
- e. Adjust PWR AMP ZERO (R6, Power Amplifier pcb) for $0 \pm 100\text{uVdc}$.

4-76. Voltage Amplitude and Linearity Calibration

4-77. The following procedural sub-paragraphs deal with voltage amplitude and linearity for all voltage ranges except the millivolts. The equipment should be connected as shown in Figure 4-2 with both inner covers installed. Adjustments are made through the marked ports in the instrument compartment inner cover as shown in Figure 4-6. Perform the test

in sequence, insuring the equipment set-up procedure in paragraph 4-28 has been performed prior to starting the test.

4-78. LOW FREQUENCY ZERO AND GAIN CALIBRATION

- a. Set the transfer standard and dc Calibrator for 1 volt operation.
- b. Set the 5200A output to 1 volt on the 10-volt range and 1kHz on the 1kHz range.
- c. Set the MODE switch to OPER.
- d. Perform the transfer test. The transfer standard null should be $0 \pm 50 \text{ uV}$ ($\pm 0.005\%$).
- e. Adjust INT ZERO (R63, AC/DC Converter pcb) until the reading is within tolerance.
- f. Set the transfer standard and dc calibrator for 10 volt operation.
- g. Set the 5200A output to 10 volts on the 10-volt range.
- h. Perform the transfer test. The transfer standard null should be $0 \pm 500 \text{ uV}$ ($\pm 0.005\%$).
- i. Adjust REF (R48, Reference pcb) until the reading is within tolerance.
- j. Repeat steps b through i until both readings are within tolerance without and adjustment.

4-79. 100 VOLT LOW FREQUENCY CALIBRATION

- a. Set the transfer standard and dc calibrator for 100 volt operation.
- b. Set the 5200A output to 100 volts on the 100-volt range.
- c. Adjust 100 V (R9, Attenuator pcb) for a transfer standard null of $0 \pm 5\text{mV}$ ($\pm 0.005\%$).

4-80. HIGH FREQUENCY ZERO CALIBRATION

- a. Set the 5200A output to 10 volts on the 10-volt range and 1MHz on the 1MHz range.
- b. Set the transfer standard and dc calibrator for 10 volt operation.
- c. Measure the error with the transfer standard and record the value.

- d. Set the 5200A output to 1 volt on the 10-volt range.
- e. Set the transfer standard and dc calibrator for 1 volt operation.
- f. Adjust HIGH FREQ ZERO (R89, AC-DC Converter pcb) for the same error as recorded in step c $\pm 0.02\%$.
- g. Repeat steps a through f until they can be performed without adjustment.

4-81. HIGH FREQUENCY GAIN CALIBRATION

- a. Set the 5200A output to 1 volt on the 1-volt range.
- b. Set the transfer standard and dc calibrator for 1 volt operation.
- c. Adjust HIGH FREQ GAIN (R91, AC-DC Converter pcb) for a transfer standard null of $0 \pm 0.01\%$.

4-82. HIGH FREQUENCY 100V RANGE CALIBRATION

- a. Set the transfer standard and dc calibrator for 10 volt operation. Set the DC Calibrator for 9.967 volt output.
- b. Set the 5200A output to 10 volts on the 100-volt range.

NOTE!

The output at 1 MHz is purposely adjusted 0.33% low in order to optimize accuracy at lower frequencies.

- c. Adjust 100V HIGH FREQ (C3, Attenuator pcb) for a transfer standard null of zero $\pm 0.01\%$.

4-83. Millivolt Amplitude Calibration

4-84. The millivolt amplitude calibration procedure requires the voltages be checked by a ratio method between ranges. Refer to the Output Accuracy - Millivolt Range performance test, paragraph 4-36 for an explanation of this procedure. The inner covers must be installed and firmly secured for these tests.

NOTE!

The statement, "Do not change the equipment setting" does not apply to the null range switch. Movement of this switch is often required to obtain on scale null meter readings.

- a. Connect the equipment as shown in Figure 4-3.

- b. Insure the equipment set-up procedure in paragraph 4-28 has been performed.
- c. Set the 5200A output to 0.1 volts on the 1-volt range and 1MHz on the 1MHz range.
- d. Set the MODE switch to OPER.
- e. Adjust the ac differential voltmeter (931B) for a null indication. Do not change the settings on the ac differential voltmeter until the 100 mV calibration is complete.
- f. Set the 5200A output to 100 millivolts on the 100-millivolt range. Remove the 12-inch coaxial cable from the sense terminals of the 5200A and the ac differential voltmeter

NOTE!

Internal Sensing is automatic on the 5200A millivolt ranges.

- g. Adjust 100 mV HIGH FREQ (L1 attenuator pcb) until the ac differential voltmeter (931B) indicates the null obtained in step e.
- h. Connect the equipment as shown in Figure 4-4.
- i. Set the 5200A output to 10 mV on the 100-mV range.
- j. Adjust the ac differential voltmeter (931B) and oscilloscope differential amplifier (7A22) gain for an approximate 1 V rms null. Do not change the test equipment settings until the 10mV calibration is complete.
- k. Set the 5200A output to 10 mV on the 10mV range.
- l. Adjust 10 mV HIGH FREQ (R12 attenuator pcb) until the 931B indicates the same null as obtained in step j.
- m. Set the 5200A output to 1mV on the 10 mV range.
- n. Re-adjust the ac differential voltmeter (931B) and the oscilloscope differential amplifier (7A22) gain for an approximate 1 V rms null. Do not change the test equipment settings until the 1 mV calibration is complete.
- o. Set the 5200A output to 1 mV on the 1 mV range.
- p. Adjust the 1 mV HIGH FREQ (R11 atten. pcb) until the ac differential voltmeter (931B) indicates the same null as obtained in step n.

4-85. Error Control Calibration

4-86. Use the following procedure for the Error Control calibration:

- a. Connect the equipment as shown in Figure 4-3, insuring that both inner covers are installed and secured and the equipment set-up procedure in paragraph 4-28 has been performed.
- b. Set the 5200A output to 10 volts on the 10-volt range and 1kHz on the 1kHz range.
- c. Set the MODE switch to OPER.
- d. Obtain null on the ac differential voltmeter (931B) and record the indication.
- e. Set the VERNIER dial to 0 and the VOLTAGE ERROR-% to x1.
- f. Adjust ERROR CONTROL ZERO (R75 Reference pcb) to the reading obtained in step d $\pm 0.01\%$.
- g. Check the adjustment by rotating the VOLTAGE ERROR-% switch between the X1 and OFF positions. The ac differential voltmeter (931B) reading should not vary as the switch positions change.

4-87. TROUBLESHOOTING**4-88. Troubleshooting Notes**

4-89. Troubleshooting for the 5200A consists of a series of text, tabular flow charts and tables. When operating from one tabular flow chart and referred to a second or a table, perform the stated table and then return to the original table and the step being performed when the transfer originated. When a step is completed, if there is no requirement for a decision, follow through and perform the next step in sequence.

4-90. The 30 second time delay is built into the circuit to prevent surges on the output that might damage an instrument connected to the output. This circuit can be disabled while troubleshooting by connecting tp1 to tp2 on the Motherboard Assembly A2.

4-91. Several times the procedure calls for shorting tp4 to tp5 on the AC-DC Converter Assembly A8. This results in the OVERLOAD indicator illuminating. This is the normal condition for this sequence and is not indicative of a fault.

4-92. Refer to the General Maintenance instructions in paragraph 4-6 when the test procedure indicates a lamp replacement (para. 4-13) or access to the switch pcb assembly (para. 4-21). Access to the switch pcb components, other than the indicator LED, requires removal of the pcb shields and should be done only after it has been verified that all inputs to the applicable circuit are present and correct.

4-93. Troubleshooting Sequence

4-94. Start with the Performance Verification check, outlined in Table 4-8 to verify operation of the mainframe, Refer to the test of the indicated assembly or assemblies if troubles arise during the performance tests.

WARNING!

Lethal voltages up to 750V are present on the Power Supply, Power Amplifier, Atten-

uator, Motherboard and Extender assemblies when in the instrument. In addition, the voltages may be present for up to 3 minutes after power is removed. Extreme caution should be exercised when working with these assemblies.

4-95. Motherboard Assembly A2

4-96. The Motherboard Assembly has no active components. It consists of land patterns and connectors. Check it for continuity with an ohmmeter, removing it from the main frame if required. Group pins B and C are shown out of sequence on the schematic for clarity, however, they are in sequence on the Motherboard, i. e., number one at the top and working down.

Table 4-8. MAIN PROGRAM

STEP NO.	ACTION	Go to the step number given for correct response	
		YES	NO
1	Assemble the equipment listed in Tables 4-1 and 4-2 required for the performance test.		
2	Verify the instrument is set for the correct input line voltage. If required, reset using the procedure in Section 2.		
3	Perform the equipment set-up procedure in paragraph 4-28, selecting 1 volt on 1-volt range and 1 kHz on 1-kHz range.		
4	Are the results satisfactory?	6	5
5	Perform the Switchboard Assembly Test in Table 4-9. Repeat the test in step 3 when completed.		
6	Perform the Output Accuracy Test. Voltages Ranges, paragraph 4-30.		
7	Are the results satisfactory?	8	10
8	Perform the Output Accuracy Test - Millivolt Ranges, paragraph 4-36.		
9	Are the results satisfactory?	16	10
10	Remove power from the instrument. Wait at least three minutes, then disconnect the Power Amplifier Assembly and install a jumper between tp 4 and tp 5 on the AC-DC Converter Assembly. Apply power to the instrument in the local mode.		
11	Connect an oscilloscope between tp 7 and tp 1 (common) on the oscillator assembly.		
12	Is a signal present, controllable in amplitude and frequency with the Front Panel Magnitude Switches?	13	14
13	Perform the tests in Tables 4-12 Power Amplifier Assembly and 4-11, Attenuator Assembly to isolate the fault. When the tests are complete and any fault located repaired, return to step 6 or step 8 as applicable.		
14	Perform the minor loop tests. This consists of performing the tests in Tables 4-10 Power Supply Assembly, 4-16 Reference Assembly, 4-13 AC-DC Converter Assembly, 4-15 Oscillator Assembly and 4-14 Oscillator Control Assembly. When the tests are complete and any fault located repaired then return to steps 6 or steps 8 as applicable.		
15	Perform the Frequency Output Test, paragraph 4-40.		
16	Are the results satisfactory?	18	19
17	Perform the tests in Tables 4-15 Oscillator Assembly and 4-14 Oscillator Control Assembly. When the tests are complete and any fault located repaired, return to step 15.		
18	Perform the Distortion Tests, paragraph 4-43.		
19	Are the results satisfactory?	21	20
20	Perform the test in Table 4-12 Power Amplifier Assembly beginning at step 99. When the test is complete, and any fault located is repaired, return to step 18.		
21	Perform the Overload Test, paragraph 4-46.		

Table 4-8. MAIN PROGRAM (Cont.)

STEP NO.	ACTION	Go to the step number given for correct response	
		YES	NO
22	Are the results satisfactory?	24	23
23	Perform the tests in Tables 4-12 Power Amplifier Assembly and 4-11 Attenuator Assembly. When the tests are complete and any fault located repaired, return to step 21.		
24	Perform the Load Regulation Verification Test, paragraph 4-48.		
25	Perform the Line Regulation Test, paragraph 4-50.		
26	Are the results of both tests satisfactory?	28	27
27	Perform the test in Table 4-11 Attenuator Assembly, beginning at step 19. When the test is complete and any fault located is repaired, return to step 24.		
28	Perform the Phase Lock Test, paragraph 4-52.		
29	Are the results satisfactory?		
30	Perform the tests in Table 4-14 Oscillator Control Assembly beginning at step 84. When the test is complete, and any fault located is repaired, return to step 28		
31	Perform the Quadrature Output Test, paragraph 4-54.		
32	Are the results satisfactory?	34	33
33	Perform the tests in Table 4-14 Oscillator Control Assembly beginning at step 59. When the test is complete, and any fault located is repaired, return to step 31.		
34	Perform the Voltage Error Control Test, paragraph 4-54.		
35	Are the results satisfactory?	37	36
36	Perform the tests in Tables 4-9 Switchboard Assembly beginning at step 47 and 4-16 Reference Supply Assembly beginning at step 22. When the test is complete and any fault located is repaired, return to step 34.		
37	The Performance Test is now complete, if any component was replaced or an adjustment changed, a calibration procedure should be performed.		

Table 4-9 . SWITCHBOARD ASSEMBLY A3

STEP NO.	ACTION	Go to the step number given for correct response	
		YES	NO
1	If not already done, disconnect Line Voltage from the instrument, remove the top outer cover and the two inner covers.		
2	Verify the proper line voltage switch settings and fuse values. Refer to Section 2, Input Power for detailed instructions if required.		
3	Set the POWER Switch to OFF, the CONTROL Switch to LOCAL, the PHASE LOCK Switch to OFF, the SENSE Switch to INT, and the VOLTAGE ERROR % Switch to OFF. Select 1 volt on the 1-volt range and 1 kHz on the 1 kHz range. Reapply line voltage to the instrument.		
4	Set the POWER Switch to ON.		
5	Does the POWER ON indicator illuminate?	7	6
6	Check the indicator CR37, the +5 volt supplied from the Power Supply and the interconnections through the motherboard.		
7	Does the OVERLOAD indicator illuminate for less than 5 seconds and then extinguish?	9	8
8	The OVERLOAD indicator should illuminate until the ± 190 supplies reach their operating points and then extinguish. Check the indicator CR33 and the $\pm 190V$ Power Supplies on the Power Amplifier.		
9	After a 30 second delay, does the instrument automatically go into STDBY? Are the STDBY and LOCAL indicators illuminated and the OPER and REM indicators extinguished?	11	10
10	If neither indicator operates, check the indicators CR22 and CR23, and the logic gates U3 and U12. If the indicators are reversed, remove the RCU to isolate it from the fault, then check the input logic from the Power Supply (turn on delay) and Attenuator (STANDBY and INT OP) assemblies and that originating from the switchboard Mode Latch.		
11	Exercise the MODE Switch several times to insure the indicators reverse and display the proper status.		
12	Do the indicators reverse with the switch movement and the OPER indicator illuminate when selected?	14	13
13	Check the indicator CR22. Remove the RCU if still installed to isolate the fault from it. Check the Standby logic lines from the Attenuator assembly and back to the switchboard Mode Latch and Remote Circuitry. If the 1000 Volt range is selected or the logic line is low and a 5205A is not connected, the instrument will not go into operate, but remains in Standby.		
14	Is the LOCAL indicator illuminated?	16	15
15	Check CR24 and remove the RCU to isolate it from the fault.		
16.	Exercise the CONTROL Switch several times to insure the indicators reverse and display the proper status.		
17	Do the indicators reverse with the switch movement and the REM indicator illuminate when selected? Do all indicators except Power ON, STDBY, INT and REM extinguish when Remote is selected by the CONTROL Switch?	19	18
18	Check CR24, CR25, S15, U2 and U3.		

Table 4-9. SWITCHBOARD ASSEMBLY A3 (Cont.)

STEP NO.	ACTION	Go to the step number given for correct response	
		YES	NO
19	Is the PHASE LOCK indicator extinguished?	21	20
20	Check U2, U3 and for fault creating low from the RCU.		
21.	Exercise the PHASE LOCK Switch several times.		
22.	Does the Phase Lock ON indicator illuminate when selected and extinguish when PHASE LOCK OFF is selected?	24	23
23	Check CR26, U2, U3, S16 and the enabling voltage from the Local circuit (LOCAL).		
24.	Is the SENSE INT. indicator illuminated and the EXT indicator extinguished?	26	25
25	Remove the RCU to isolate it from the problem. Check the sense logic on the Attenuator assembly, (U13, U14, U15 and U17.) Check U3, S17 and the indicators CR27 and CR28 on the Switchboard assembly.		
26	With the MODE Switch to STDBY, set the SENSE Switch to EXT. Verify the INT indicator stays illuminated.		
27	Set the MODE Switch to OPER, then exercise the SENSE Switch several times to insure the indicators reverse and display the selected status.		
28	Set the MODE Switch to OPER and the SENSE Switch to EXT. Check that the SENSE indicator automatically returns to internal sensing when any millivolt range is selected. Return the voltage range to the 1-volt range and verify the sense circuit automatically returns to external sensing.		
29	Are the three previous checks as stated?	31	30
30	The circuitry controlling these indications is located on the Attenuator assembly with the exception of the SENSE Switch S17, the U3 inverter and the diodes CR27 and CR28 which are on the switchboard assembly. The input at J11H/U3-5 should remain low if external sensing is selected in stand-by or drop low if any millivolt range is selected. If not, check the BCD to decimal converter U10 and its associated Logic gates U13, U14, U15 and U17. Repair as required, then repeat the test, starting at step 28.		
31	Vary the VOLTAGE RANGE Switch through its seven positions insuring the correct decimal point indicator illuminates.		
32	Does CR32 (left extreme) illuminate when the 1-mV and 1-Volt ranges are selected? CR31 (left center) for the 10-mV and 10-Volt ranges, CR30 (right center) for the 100-mV and 100-Volt ranges and CR29 (right extreme) for the 1000-Volt range?	34	33
33	Check the indicators, U4, U6 and S7 using the truth table on the schematic, Figure 8-3. Insure the CONTROL Switch is in the Local position and the LOCAL logic line low. Insure the inputs to U4 are not grounded from a source external to the input, such as, the RCU, the Attenuator assembly or the switchboard internal sense relay circuit. Remove the RCU to isolate it from the fault. On the truth table O is the equivalent of a logic high and C of a logic low.		
34	Vary the FREQUENCY RANGE Hz Switch through its five positions insuring the correct decimal point indicator illuminates.		
35	Does CR34 (left) illuminate when the 1 kHz and 1 MHz ranges are selected? CR35 (center) for the 10 kHz range and CR36 (right) for the 100 Hz and 100 kHz ranges?	37	36

Table 4-9. SWITCHBOARD ASSEMBLY A3 (Cont.)

STEP NO.	ACTION	Go to the step number given for correct response	
		YES	NO
36	Check the indicators, U1, U5 and S13 using the truth table on the schematic, Figure 8-3. Insure the CONTROL Switch is in the LOCAL position and the LOCAL logic line low. Insure the inputs to U5 are not grounded from a source external to the input, such as, the RCU or the switchboard INTOP circuitry. Remove the RCU to isolate it from the fault if any question arises.		
37	The frequency range logic is not fed directly to other assemblies as in the Voltage Range circuit, therefore, the fact that the decimal point indicators are operational is not sufficient proof that the frequency range is reaching the remaining circuits. The Logic is latched by U8 and U9, decoded by U7 and then routed to the Attenuator and Oscillator control assemblies. One way to verify the Frequency Range output is to put the Oscillator Control assembly on an extender and use the frequency range truth table to check the INTOP circuit outputs. Substitute extender pin 26 for C1, pin 28 for C2 and pin 30 for C4 in the table. In addition, O is the equivalent of a logic high and C of a logic low.		
38	Connect a rms differential voltmeter to the 5200A output terminal.		
39	Vary each of the voltage magnitude switches in turn, while observing the output.		
40	Does the output change in proportion to the movement of the Voltage Magnitude Switches?	42	41
41	The voltage magnitude switch outputs are not readily accessible for testing. They can be reached with the AC-DC Assembly on an extender for the LSD of magnitude and the Reference Assembly on the extender for the five MSD's. With the AC-DC Converter in the extender, check at extender pins 21, 23, 25 and 27 for AMPTD1, AMPTD2, AMPTD4 and AMPTD8 respectively. The signal present should be the BCD equivalent of the number displayed on the magnitude LSD switch. With the Reference assembly in the extender check the MSD at extender pins 42 (AMPTD100K), 44 (AMPTD200K), 50 (AMPTD400K) and 52 (AMPTD800K). Check the second MSD at extender pins 34 (AMPTD10K), 36 (AMPTD20K), 38 (AMPTD40K) and 40 (AMPTD80K). Check the third MSD at extender pins 26 (AMPTD1K), 28 (AMPTD2K), 30 (AMPTD4K) and 32 (AMPTD8K). Check the fourth MSD at extender pins 18 (AMPTD 100), 20 (AMPTD 200), 22 (AMPTD 400) and 24 (AMPTD 800). Check the fifth MSD at extender pins 10 (AMPTD 10), 12 (AMPTD 20), 14 (AMPTD 40) and 16 (AMPTD 80). In all cases the output of an individual MSD switch as monitored at the Reference Assembly should be the complemented BCD equivalent of the switch setting. Verify the voltage magnitude switches are operational before continuing.		
42	Connect a frequency counter to the 5200A output terminals.		
43	Select the 1KHz range and vary each of the frequency magnitude switches in turn while observing the output.		
44	Does the output frequency change in proportion to the movement of the frequency magnitude switches?	46	45
45	The frequency magnitude switch outputs are not readily accessible for testing. They can be reached conveniently by placing the oscillator assembly on an extender board. The MSD outputs can be read on extender pins 62 (FREQ 1K), 64 (FREQ 2K), 66 (FREQ 4K) and 68 (FREQ 8K). The output at switch settings 1 through 7 will be standard BCD. Counts 8, 9, 10 and 11 use FREQ 8K as an additional 4 count so that both pins 66 and 68 are true for these counts. The BCD output should be equal to the figure displayed on the front panel switch. The second MSD on extender pins 54 (FREQ 100), 56 (FREQ 200), 58 (FREQ 400) and 60 (FREQ 800) should output a standard BCD code equal to the front panel switch setting. The same is true of the third MSD at Pins 42 (FREQ 10), 44 (FREQ 20), 50 (FREQ 40) and 52 (FREQ 80), and the LSD of pins 34 (FREQ 1), 36 (FREQ 2), 38 (FREQ 4) and 40 (FREQ 8). Logic True for this test is -15V from the logic circuitry and the oscillator assembly. Logic Low is approximately +0.6 Volts from the Q1 collector voltage on the switchboard. Verify the frequency magnitude switches are operational before continuing.		

Table 4-9. SWITCHBOARD ASSEMBLY A3 (Cont.)

STEP NO.	ACTION	Go to the step number given for correct response	
		YES	NO
46	Check the Voltage Error - % circuit by removing power and then disconnecting the Reference and Power Amp assemblies. Install the extender in place of the Reference assembly to give access to test points not convenient to reach on the switchboard. Reapply power to the instrument and set the CONTROL Switch to LOCAL and the MODE switch to STDBY.		
47	Check with an ohmmeter for approximately 100K ohms between extender pins 60 and 62.		
48	Set the VOLTAGE ERROR - % Switch to X1 and check between extender pins 64 and 68 for a smooth change in resistance as the VERNIER is moved from one extreme to the other.		
49	Set the VOLTAGE ERROR - % Switch to X.1 and check between extender pins 64 and 66 for a smooth change in resistance as the VERNIER is moved from one extreme to the other.		
50	Are all the Voltage error % checks acceptable?	52	51
51	Check the VERNIER resistor R21, K1 contacts and the interconnections. This is a resistance check only to verify smooth operations. An electrical check of the system is made during checks of the Reference Assembly.		
52	Remove Power from the instrument. Install the attenuator assembly using the extender kit pcb and cables. Placing the attenuator on the extender provides access to signals not readily accessible on the switchboard assembly. Reconnect the Reference and Power Amp assemblies.		
53	When power is reapplied to the instrument, is there a delay of approximately 30 seconds before the STDBY indicator illuminates?	55	54
54	Check the 30 second turn on delay (physically located on the Power Supply Mother Assembly) consisting of U5 and its associated components. Repair as required then repeat step 53.		
55	Set the MODE Switch to OPER, then change the Frequency Range.		
56	Does the instrument momentarily drop in status to standby?	58	57
57	Check the pulse generating circuit U7, U8, U9, U10 and U11 on the Switchboard Assembly. Repair as required, then repeat step 55.		
58	Connect an oscilloscope to extender pins 32 and 86 (common). A logic high should be present.		
59	Does the logic signal go low in approximately 20 msec when the POWER switch is set to OFF? (This check insures no transient spikes from Power Supply fade down appear at the output to damage equipment connected to the 5200A, if input power is lost.)	61	60
60	Check Q18, C26 and their associated components on the Power Supply Mother Assembly. If C26 becomes leaky, the instrument will alternate in status between operate and standby. Repair as required, then repeat step 58.		
61	Remove power from the instrument. Wait at least three minutes then replace the Attenuator Assembly and remove the Power Amplifier Assembly. Remove any shorting links or external connections from the output terminals.		
62	Reapply power and after the 30 second delay, while in STDBY, select internal sensing. Measure with an ohmmeter between Output High and Sense High, then between Output Low and Sense Low.		
63	Are both readings close to zero ohms?	65	64

Table 4-9. SWITCHBOARD ASSEMBLY A3 (Cont.)

STEP NO.	ACTION	Go to the step number given for correct response	
		YES	NO
64	Check the sense relay K3 and its associated logic gates. Repair as required then repeat step 62.		
65	Select the 100 Volt range then set the SENSE switch to EXT and the MODE switch to OPER.		
66	Recheck the resistance readings between the Output and Sense terminals.		
67	Do both readings reflect a diode junction indication for both ohmmeter polarities?	69	68
68	The diodes separating the sense from the output terminals are physically located on the Attenuator assembly. Load regulation faults can be caused when these diodes are either shorted or open. Repair as required then repeat step 65.		
69	Remove power from the instrument. Replace any assemblies removed or on an extender, and then install both top inner covers. Remove any shorting links or external connections from the output terminals.		
70	Measure from the guard terminal to the ground terminal.		
71	Is the guard to ground reading greater than 10 Megohms?	73	72
72	Check for physical damage or debris that would bring the chassis in contact with the guard. Repair or remove as required and repeat step 70.		
73	Measure from the guard terminal to the inner covers.		
74	Is the guard to inner cover approximately 12 ohms?	76	75
75	Check the components (R27/L1) between the terminal and the covers then repeat step 73.		
76	Replace the outer covers on the instrument.		
77	Measure from the guard terminal to the outer cover.		
78	Is the guard to outer cover reading greater than 10 megohms?	80	79
79	Check in particular for physical damage that would bring the inner and outer covers into contact. Repair as required then repeat step 77.		
80	Measure from the ground terminal to the outer cover and to the powerline center connector.		
81	Is the reading between the ground terminal and both the power line center connector and the outer covers virtually zero?	83	82
82	Check for an open between the power line, chassis and front terminals. This passes through the motherboard. Repair as required then repeat step 80.		
83	The test of the switchboard assembly is now complete. If R21 was replaced the Error Control Calibration procedure should be performed.		

Table 4-10. POWER SUPPLY ASSY A5

STEP NO.	ACTION	Go to the step number given for correct response	
		YES	NO
1	Prior to beginning this test the top outer and inner covers must be removed, an autotransformer must be connected between the instrument and line power and adjusted for the proper input, the fuse and its rating should be checked, and the position of the voltage selection switches must be checked for the applicable input voltage as shown in Section 2.		
2	Insure the POWER switch is OFF, the CONTROL Switch to LOCAL, the PHASE LOCK switch to OFF, the SENSE switch to INT, the VOLTAGE ERROR % switch to OFF and outputs of 1 Volt on the 10 Volt range and 1 kHz on the 1 kHz range are selected.		
3	Install the A5A2 Power Supply Regulator on an extender board. WARNING When the 5200A Power Switch is ON, dangerous Voltages up to $\pm 300V$ dc are present on some extender pcb test points.		
4	Verify the Line Voltage cord is connected, then set the POWER switch to ON.		
5	Make the following voltage checks of the standard inside the guard regulators (+5, +15, -15, +30, and -30) using pin 51 of the extender board connector as common (LO).		
6	Connect the HI input of the differential voltmeter to extender pin 57.		
7	Adjust R32 for an output of $+15 \pm 0.1$ Volts.		
8	Can the voltage be adjusted within tolerance?	9	84
9	Using the autotransformer vary the input line voltage $\pm 10\%$.		
10	Does the rgulator output change less than ± 5 m Volts?	11	86
11	Connect the oscilloscope to pins 57 (HI) and 51 (LO) and vary the line voltage $\pm 10\%$.		
12	Is the maximum peak-to-peak ripple less than 10 m Volts.	13	86
13	Transfer the differential voltmeter and oscilloscope HI inputs to extender pin 59.		
14	Does the regulator output read -15 ± 1.0 Volt?	15	86
15	Using the autotransformer vary the input line voltage $\pm 10\%$.		
16	Does the regulator output change less than ± 20 m Volts?	17	86
17	Is the maximum peak-to-peak ripple less than 10 m Volts?	18	86
18	Transfer the differential voltmeter and oscilloscope HI inputs to extender pin 55.		
19	Does the regulator output read $+30 \pm 1.0$ Volts?	20	86
20	Using the autotransformer, vary the input line voltage $\pm 10\%$.		
21	Does the regulator output change less than ± 10 m Volts?	22	86
22	Is the maximum peak-to-peak ripple less than 10 m Volts?	23	86
23	Transfer the differential voltmeter and oscilloscope HI inputs to extender pin 53.		
24	Does the regulator output read -30 ± 1.0 Volts?	25	86

Table 4-10. POWER SUPPLY ASSY. A5 (Cont.)

STEP NO.	ACTION	Go to the step number given for correct response	
		YES	NO
25	Using the autotransformer, vary the input line voltage $\pm 10\%$		
26	Does the regulator output change less than ± 10 mVolts?	27	86
27	Is the maximum peak-to-peak ripple less than 10 m Volts?	28	86
28	Transfer the differential voltmeter and oscilloscope HI inputs to extender pin 68.		
29	Does the regulator output read $+5 \pm 0.25$ Volts?	30	86
30	Using the autotransformer vary the input line voltage $\pm 10\%$		
31	Does the regulator output change less than ± 10 m Volts?	32	86
32	Is the maximum peak-to-peak ripple less than 5 m Volts?	33	86
33	Make the following voltage checks of the floating inside the guard regulators (+15 (F), -15 (F) and +20 (F)) using pin 43 of the extender board connector as common (LO).		
34	Connect the differential voltmeter HI input to extender pin 38 and the oscilloscope HI input to extender pin 37.		
35	Does the regulator input read $+6.955 \pm 0.005$ volts?	36	39
36	Using the autotransformer, vary the input line voltage $\pm 10\%$		
37	Does the regulator input change less than ± 5 m Volts?	38	39
38	Is the maximum peak-to-peak ripple less than 20 m Volts?	40	39
39	Check the interconnections on the A5 and A2 Motherboards and the A12 Reference Supply. The Reference Supply can be isolated by using an input from an external floating supply at pin 38, however, the common from the floating supply must be connected to both pins 41 and 43. The +20 (F) is used on the Reference Assembly to generate the 6.955V input. Repair the applicable assembly as required then repeat step 35.		
40	Transfer the differential voltmeter and oscilloscope HI inputs to pin 39 on the extender board (or the equivalent A5A2TP12).		
41	Does the regulator output read $+20 \pm 0.25$ Volts?	42	86
42	Using the autotransformer vary the input line voltage $\pm 10\%$.		
43	Does the regulator output change less then ± 100 m Volts?	44	86
44	Is the maximum peak-to-peak ripple less than 50 m Volts?	45	86
45	Transfer the differential voltmeter and oscilloscope HI inputs to pin 34 on the extender board (or the equivalent A5A2TP 10).		
46	Does the regulator output read $+15 \pm 0.1$ Volts?	47	86
47	Using the autotransformer, vary the input line voltage $\pm 10\%$		
48	Does the regulator output change less than ± 10 m Volts?	49	86

Table 4-10. POWER SUPPLY ASSY. A5 (Cont.)

STEP NO.	ACTION	Go to the step number given for correct response	
		YES	NO
49	Is the maximum peak-to-peak ripple less than 20 m Volts?	50	86
50	Transfer the differential voltmeter and oscilloscope HI inputs to pin 35 on the extender board (or the equivalent A5A2TP 11).		
51	Does the regulator output read -15 ± 0.5 Volts?	52	86
52	Using the autotransformer, vary the input line voltage $\pm 10\%$		
53	Does the regulator output change less than ± 10 m Volts?	54	86
54	Is the maximum peak-to-peak ripple less than 20 m Volts?	55	86
55	The High Voltage tests that follow should begin with all pcbs installed (A5A2 pcb installed on the extender pcb) except the Power Amplifier A7. If the instrument is not in this configuration, remove power, wait at least three minutes, install or remove the pcbs as required, then reapply power. WARNING! Extreme caution must be exercised when checking the ± 300 and ± 190 RAW Voltage supplies. Lethal voltages are present on the extended board test points. In addition, since there is no current limiting other than the line fuse, grounding one of the test points with a test lead can short out the supply and may burn out the inter-connecting lands on the Power Supply Assembly A5 or the Extender board.		
56	Connect the DVM LO input to the extender board pin 26. This point is common for all the High Voltage tests. NOTE <i>The tolerances listed in the following High Voltage checks are dependent upon the line voltage being within tolerance since there is no line regulation for these supplies.</i>		
57	With the DVM HI input check at extender pin 29 for $+350 \pm 35$ Volts dc, pin 21 for -350 ± 35 volts dc, pin 27 for $+270 \pm 30$ Volts dc, and pin 23 for -270 ± 30 Volts dc.		
58	Are all voltages present and within tolerance?	60	59
59	Check the applicable filter, rectifiers and transformer secondaries. Repair as required, then repeat step 57.		
60	Remove power from the instrument, wait at least three minutes, then install the Power Amplifier A7 and reapply power to the instrument.		
61	With the DVM HI input check at extender pin 29 for $+325 \pm 30$ Volts dc, pin 21 for -325 ± 30 Volts dc, pin 27 for $+250 \pm 30$ Volts dc, and pin 23 for -270 ± 30 Volts dc.		
62	Are all voltages present and within tolerance?	64	63
63	Check the Power Amplifier A7 and the interconnections for loading. Repair as required, then repeat step 61.		
64	Set the POWER switch to OFF and wait at least three minutes before continuing.		

Table 4-10. POWER SUPPLY ASSY A5 (Cont.)

STEP NO.	ACTION	Go to the step number given for correct response	
		YES	NO
65	Remove the Power Supply Regulator pcb A5A2 from the extender pcb and return it to its slot. Install the Power Supply pcb A5A1 in the extender pcb. Verify all other pcb's are installed in the instrument.		
66	Set the POWER switch to ON and the MODE switch to STDBY.		
67	Make the voltage checks of the outside the guard regulator (+5V (O), +15 (O), and -15 (O), using tp1 on the Power Supply pcb as common.		
68	Connect the differential voltmeter and oscilloscope HI inputs to extender pin 40.		
69	Does the regulator output read +5 \pm 0.5 Volts?	70	86
70	Was the voltage Regulator U4 replaced?	95	71
71	Using the autotransformer, vary the input line voltage \pm 10%		
72	Does the regulator output change less than \pm 50 m Volts?	73	86
73	Is the maximum peak-to-peak ripple less than 5 m Volts?	74	86
74	Transfer the differential voltmeter and oscilloscope HI inputs to tp3 on the Power Supply pcb.		
75	Does the regulator output read +15 \pm 1.0 Volts?	76	86
76	Using the autotransformer, vary the input line voltage \pm 10%		
77	Does the regulator output change less than 500 m Volts?	78	86
78	Is the maximum peak-to-peak ripple less than 20 m Volts?	79	86
79	Transfer the differential voltmeter and oscilloscope HI inputs to tp4 on the Power Supply pcb.		
80	Does the regulator output read -15 \pm 10 Volts?	81	86
81	Using the autotransformer, vary the input line voltage \pm 10%.		
82	Does the regulator output change less than 300 m Volts?	83	86
83	Is the maximum peak-to-peak ripple less than 10 m Volts?	97	86
84	Check the input to the power supply, the fan and thermal switch for over-heating, the voltage selection switches, and the transformer primary.		
85	Is the fault isolated?	90	86
86	Check the applicable transformer secondary, bridge rectifier, regulator circuit and interconnections.		
87	Is the fault isolated?	90	88
88	Check for loading from other circuit boards by removing the pcbs one at a time while monitoring the effected regulator output. Insure the POWER switch is set to OFF before removing any pcb and always begin with the A7 Power Amplifier.		
89	If one of the other circuit boards is loading down the regulator, refer to the applicable procedure. When the loading is removed, return to the step that originated the transfer.		

Table 4-10. POWER SUPPLY ASSY A5

STEP NO.	ACTION	Go to the step number given for correct response	
		YES	NO
90	Replace the component found defective.		
91	If the Load regulation of the standard voltage regulators inside the guard are to be checked, go to step 92, for the floating voltage regulators inside the guard, go to step 93 and for the outside the guard regulators, go to step 94.		
92	Check the standard inside the guard regulators using the checks in Table 4-17. All pcbs should be removed from the instrument when making these checks except the A5 Power Supply Assembly which includes the A5A1 Power Supply PCB, the A5A2 Power Supply Regulator pcb and the A5A3 Transformer pcb. The load may be placed across the extender board test pins listed in the table. If a 2 Watt carbon resistor is used for the load, leave connected only long enough to measure the regulation. When the test is complete, repair as required and recheck the inside the guard regulators beginning at step 5.		
93	Check the floating inside the guard regulators using the checks in Table 4-18. All pcbs should be removed from the instrument except for the Power Supply Mother A5 with its associated sub-boards A5A1 Power Supply pcb, A5A2 Power Supply Regulator pcb and A5A3 Transformer pcb, and the A12 Reference Assembly. The instrument should have at least ten minutes warmup prior to performing the checks. For proper grounding, connect a clip lead from the output cable shield of the Reference Supply to pin 43 on the extender and a clip lead connecting pins 41 and 43. If the 6.955 reference is questionable, this voltage can be supplied from an external source to pin 38, however, insure the external supply is stable, that pins 41 and 43 are connected to the external supply LO which must be floating and the Reference Assembly disconnected from the instrument. In addition to the Reference Supply, the +15 (F) regulator is used as a reference for the other three supplies. Even though the -20 Volt supply is not used, its presence should be checked since it can effect the other supplies if shorted. The loads may be placed directly on the extender pins, however, they should be left connected only the minimum time required to obtain a reading. When the test is complete, repair as required and recheck the floating inside the guard regulators, beginning at step 33.		
94	Check the outside the guard regulators with the Power Supply pcb A5A1 on the extender board using the checks in Table 4-19. All pcbs should be removed from the instrument except the Power Supply Mother A5 with its associated sub-boards A5A1 Power Supply pcb, A5A2 Power Supply Regulator pcb and A5A3 Transformer pcb. The instrument should have at least ten minutes warmup prior to performing the checks. Leave the load connected only the minimum time required to obtain the readings. When the test is complete, repair as required and recheck the outside the guard regulators beginning at step 67.		
95	Connect a DVM between U4-4 (HI) and TP 1 (LO).		
96	Compare the voltage reading to the figures in Table 4-20. Select the applicable value of R6 and compare to the installed component. If not correct, install the correct value and verify the regulator output is equal to $+5 \pm 0.5$ Volts. When complete, go to step 71.		
97	Test of the Power Supply Assembly is complete. The 30 second delay and INT OP circuits are physically located on the assembly but are checked during the Switch Assembly Test in Table 4-9.		

Table 4-11. ATTENUATOR ASSEMBLY A6

STEP NO.	ACTION	Go to the step number given for correct response	
		YES	NO
1	<p>Remove Power from the instrument. Wait at least three minutes, then remove the attenuator assembly, install it on the extender pcb and reinstall the combination in the instrument. Insure that all other standard assemblies are installed in the instrument and the coaxial conhex connector cables are connected.</p> <p style="text-align: center;">WARNING!</p> <p style="text-align: center;">When the 5200A is in Standby, dangerous voltages of $\pm 300V$ dc are present on some extender pcb test points.</p>		
2	Set the POWER Switch to ON.		
3	Using extender pin 81 as common, check with a DVM at extender pin 84 and J32, pin 7 (top rear card edge connector) for $+5 \pm .25V$ dc.		
	CAUTION!		
	The Attenuator Assembly is a multilayered pcb. When removing components for replacement during troubleshooting, the preferred method is to clip the leads, especially with IC's, and remove them one at a time to prevent removing the thru hole plating.		
4	Is the voltage present and within tolerance at both points?	6	5
5	If present at pin 84, but not at J32-7, check the pcb for open land patterns. If not present at either point, check the power supply output and for loading.		
6	Verify the MODE Switch is in STDBY, then while selecting all of the various Frequency/Voltage range combinations, check if the OVERLOAD or OPER indicators illuminate.		
7	Did the OVERLOAD indicator illuminate at any Frequency/Voltage range combination?	8	12
8	While set at the defective Frequency/Range combination, remove the conhex connectors for the coax cables to the Power Amplifier and AC-DC converter.		
9	Did the OVERLOAD indicator stay illuminated?	10	11
10	Check the LIMIT Logic circuits on the Power Amplifier and/or AC-DC converter for the overload using the applicable tables. When complete, repeat the test beginning with step 6.		
11	The most probable cause of an overload originating on the attenuator is more relays than required closed, providing parallel signal paths and loads. Use Tables 4-21 and 4-22 as an aid in tracing signal flow. Also, check the assembly for shorted land patterns or components. Repair as required and repeat the test beginning with step 6.		
12	Did the OPER indicator illuminate at any Frequency/Voltage range combination?	15	13
13	Set the Voltage range switch to 1 volt and the MODE switch to OPER.		
14	Does the OPER indicator illuminate and the STDBY indicator extinguish?	16	15
15	Check the STANDBY logic line at extender pin 34 and the logic gates originating the signal. Repair as required and repeat the step causing the transfer to this step.		
16	Select both Internal and External Sensing at each Voltage range.		

Table 4-11. ATTENUATOR ASSEMBLY A6 (Cont.)

STEP NO.	ACTION	Go to the step number given for correct response	
		YES	NO
17	Is the sense switching correct, i.e., only internal selectable in the three millivolt ranges and both Internal and External selectable in the other ranges?	19	18
18	Check the EXT SEN logic line at extender pin 43 and the logic gates originating the signal. Repair as required and repeat the test beginning at Step 16.		
19	Perform the Load Regulation Verification Test in paragraph 4-48.		
20	Perform the Line Regulation Test in paragraph 4-50.		
21	Are the results of both tests acceptable?	24	22
22	A failure in the sense lines is a frequent cause of failure in the line and/or load regulation circuits. This can be checked by removing the Power Amp and selecting the 100-volt range, external sense and operate. Measure with an ohmmeter between the output high and sense high terminals, and then between the output low and sense low terminals. There should be a diode junction voltage drop in both polarities on each set of terminals. An open or short in any of these measurements will cause a failure. When completed, select internal sensing and measure for a short between each set of terminals. An open or diode junction voltage drop during these measurements will cause a failure. A complete check of the sensing relay is contained in Table 4-9, step 61.		
23	Replace the Power Amp, repair any components found defective and then recheck the Line and Load regulation as described in paragraphs 4-48 and 4-50. If the instrument still does not pass those tests, perform the Signal Path Test Subroutine beginning at Step 34. When the subroutine is completed, return to the procedure at step 19.		
24	Perform the Distortion Tests in paragraph 4-43.		
25	Are the results of the test acceptable?	29	26
26	Check for an overload condition on the Power Amp Assembly. If present, refer to step 6. If applicable, repair as required and repeat step 24.		
27	Check for the same distortion at the input from the Power Amplifier. If present, check the Power Amplifier, using the applicable table. If applicable, repair as required and repeat step 24.		
28	The distortion may be caused by problems in the signal paths through the relays. Perform the signal Path Test subroutine beginning at step 34. When the subroutine is completed, return to the procedure at step 24.		
29	Connect a rms differential voltmeter across the 5200A output terminals. Connect the instrument for external sensing. Select external sensing on the 5200A Front Panel.		
30.	Excercise the Front Panel Frequency and Voltage range switches up to a maximum of 10 volts, 1 MHz several times to check the repeatability and stability of the output signal.		
31	Is the stability and repeatability of the output of an acceptable quality?	33	32
32	Perform the Signal Path Test sub routine beginning at step 34. When the subroutine is completed, return to the procedure at step 29.		
33	The test of the Attenuator Assembly A6 is now complete. If any component was replaced or an adjustment changed, a calibration procedure should be performed.		
34	Signal Path Test Subroutine. Three different methods can be used to provide a signal source to trace the signals through the Attenuator Assembly. Each method is described in one of the three following steps. Select the method best suited for the conditions at the time the test is performed.		
35	The first method uses the output from the Power Amp and the front Panel Controls but removes the attenuator sense output. Verify the attenuator assembly is on the extender and connected to the Power Amp Output with an extension cable. Remove the Attenuator Sense Output cable from the AC-DC Converter. Short tp4 to tp5 on the AC-DC Converter (the OVERLOAD indicator will illuminate but will not effect operations). The instrument is now ready for the test which starts at step 38, however, remember that while the Power Amp input is controlled, the output is not and will vary slightly from normal readings.		

Table 4-11. ATTENUATOR ASSEMBLY A6 (Cont.)

STEP NO.	ACTION	Go to the step number given for correct response	
		YES	NO
36	The second method uses the Oscillator Output and the Front Panel controls but removes the Power Amp from the circuit. Disconnect the Power Amp from the instrument. Verify the attenuator assembly is on the extender. Remove the Attenuator sense output cable from the AC-DC converter and short tp4 to tp5 on the AC-DC Converter (the OVERLOAD indicator will illuminate but will not effect operations). Connect the oscillator assembly output at tp7 (HI) and tp1 (LO) to the Attenuator input at the conhex connector, J33. Set the Front Panel Voltage magnitude switches to full scale. The instrument is now ready for the test which begins at step 38, however, the maximum signal will be approximately 3 volts rms.		
37	The third method uses an external oscillator to remove any possibility of the error being induced by the Oscillator of Power Amp assemblies. Verify the Attenuator assembly is on the extender. Remove the Attenuator sense output cable from the AC-DC Converter. Disconnect the Power Amplifier and Oscillator assemblies. Connect the output of an external oscillator set for some frequency within the range dialed by the Front Panel and between 1 and 12 volts rms to the attenuator input at the conhex connector J33. If the 100-volt range is selected in the OPERATE mode, an input of 10 to 120 volts may be used. However, if more than 12 volts is applied while the instrument is in any other range, or in the 100-volt range, while in standby damage to the attenuator components may result.		
38	Trace the applied signal through the paths given in tables 4-21 and 4-22. If any signal path is not complete, use Table 4-23 to check the logic controlling the Frequency range and Table 4-24 to check the logic controlling the voltage Amplitude range. Verify the relay coils and contacts are operational prior to testing the energizing logic circuits. Check that the attenuator sense output cable always has available between 0.1 to 1.2 volts rms for the AC-DC Converter. <p style="text-align: center;">NOTE</p> <p style="text-align: center;"><i>A logic HIGH or true can result from an open circuit in addition to the normal +2.0 to +5.0 volts dc.</i></p>		
39	Repair as required, repeat the test until the results are satisfactory, then return to the step originating the transfer to this sub-routine.		

Table 4-12. POWER AMPLIFIER ASSEMBLY, A7

STEP NO.	ACTION	Go to the step number given for correct response	
		YES	NO
1	<p>Remove power from the instrument. Wait at least three minutes, then disconnect the Power Amp from the Motherboard, install it on the extender assembly and reinstall the combination in the instrument. Do not reconnect the attached coaxial cable to J33 on the Attenuator assembly. Set S1 to the position the white dot is visible to lower the output stage operating voltages. Rotate R26 BIAS CURRENT ADJUST fully counter clockwise for minimum bias. Connect a test voltmeter between tp OUTPUT (HI) and tp 6 LOW. Disconnect the Oscillator Assembly A10 from the instrument for the voltage regulator checks.</p> <p style="text-align: center;">WARNING!</p> <p style="text-align: center;">When the 5200A POWER Switch is ON, dangerous voltages up to ± 300 Volts DC are present on some extender pcb test points.</p>		
2	Set the POWER Switch to ON and after the delay, the MODE switch to STDBY.		
3.	Does the test voltmeter read a DC Zero offset of $0 \pm 0.5V$ dc?	4	5
4	If the DC offset voltage is within tolerance and the instrument fault has not yet been isolated to the power amplifier the power supply checks that follow may be omitted at the operator's discretion and the test transferred to step 45. If the instrument fault has been isolated to Power Amplifier or a fault develops in later steps of this procedure, the power supply checks contained in steps 5 through 44 should be performed.		
5	Connect the DVM between extender pins 21 (HI) and 17 (LO) and check the +300 for a reading between +295 and +355V dc.		
6	Transfer the DVM HI input to extender pin 13 and check the -300 for a reading between -295 and -355V dc.		
7	Transfer the DVM HI input to extender pin 16 and check the -190 RAW for a reading between -220 and -280V dc.		
8	Transfer the DVM HI input to extender pin 19 and check the +190 RAW for a reading between +220 and +280V dc.		
9	Transfer the DVM HI input to extender pin 76 and the LO input to pin 86. Check the +30V for a reading between +29 and +31V dc.		
10	Transfer the DVM HI input to extender pin 74 and check the -30V for a reading between -29 and -31V dc.		
11	Transfer the DVM HI input to extender pin 77 and check the -15V for a reading between -14 and -16V dc.		
	<i>NOTE</i>		
	<i>The +15V dc is adjusted to the listed tolerance during calibration. It might then be readjusted out of the listed tolerance to insure the +190 Volts regulated checked later in the procedure is at least +185V dc.</i>		
12	Transfer the DVM HI input to extender pin 79 and check the +15V for a reading between +14.9 and +15.1V dc.		
13	Transfer the DVM HI input to extender pin 83 and check the +5V for a reading between +4.75 and +5.25V dc.		
14	Are all the externally supplied voltages within tolerance?	24	15
15	Remove power from the instrument, wait at least three minutes, then remove the Power Amplifier Assembly from the extender assembly, and reapply power to the instrument.		
16	Repeat the voltage checks in steps 5 through 14 with the Power Amplifier Assembly removed.		
17	Are all the voltages now within tolerance?	18	19

Table 4-12. POWER AMPLIFIER ASSEMBLY, A7 (Cont.)

STEP NO.	ACTION	Go to the step number given for correct response	
		YES	NO
18	Check the Power Supply Assembly output and the interconnections using the applicable tables. Repair as required and repeat the voltage checks beginning with step 1.		
19	If the plus and minus 15 or 30 Volts supplies are defective, due to loading on the Power Amp, check the $\pm 190V$ regulator circuits, the -21 Volt circuit, the Output Stage transistors, shorted land patterns, oscillation on the output or a dc offset on the output.		
20	For loading in the +5 Volt circuit, check K1, K2, Q13, U2 and the land patterns.		
21	For loading of the ± 300 Volt supplies, check at CR8 and CR9 for $+10 \pm 1V$ dc and $-10 \pm 1 V$ dc respectively. If present, check the output stage.		
22	The ± 190 RAW inputs are used to generate the ± 190 Regulated Supplies. Check these circuits for loading if the input is loaded down sufficient to be defective.		
23	Repair any faults located and repeat the power supply checks starting at step 2.		
24	With the DVM connected between tp 1 (HI) and tp6 (LO) does the -190 Regulated voltage read between -180 and -200 volts?	28	25
	CAUTION		
	High Voltage is present at the test points in the following procedure: When testing with the load, do not leave it connected for more than 5 seconds and use a high wattage resistor box such as the clarostat, power resistor decade box, Model 240-C or equivalent.		
25	Check the regulation of Q31, Q32, CR12, Q30 and Q29 and their associated components, then verify the circuit as follows: With a scope connected between tp1 and tp6, the ripple should be less than 10 mV p-p. Apply a 4k ohm load between tp6 and the negative (bottom end) of C20 and check for a change in voltage with the load applied at less than 500 mV. The ripple with the load applied should not exceed 10 mV. With the line voltage varied $\pm 10\%$, the regulated voltage should not vary more than 500 mV p-p with no load and 700 mV with the 4K ohm load applied.		
26	Check the limiting of Q40 and its associated components, then verify the circuit as follows: With a scope connected between tp1 and tp6, the ripple should be less than 10 mV p-p. Apply a 1 K ohm load between tp 6 and the negative (bottom) end of C20 and check for a change in voltage of greater than 10 Volts.		
27	Repair as required and then repeat step 24		
28	With the DVM HI input transferred to tp2, does the -190 Limit Voltage read between -180 and $-200V$ dc?	31	29
29	Check the limiting of Q19, Q24 and their associated components for the output stage supply, then verify the circuit as follows: With a scope connected between tp 2 and tp 6, the ripple should be less than 10 mV p-p. Apply a 1.3K ohm load between tp6 and the collector of Q24 and check for a change in voltage of greater than 2 volts. With the line voltage varied $\pm 10\%$, the -190 limit voltage should not vary more than 500 mV unloaded.		
30	Repair as required, then repeat step 28.		
31	With the DVM HI input transferred to the negative (top) end of C35, does the -190 bias supply read between -180 and $-200V$ dc?	34	32

Table 4-12. POWER AMPLIFIER ASSEMBLY, A7 (Cont.)

STEP NO.	ACTION	Go to the step number given for correct response	
		YES	NO
32	Check Q41, Q42 and their associated components for the -190 bias supply, then verify the circuit as follows: With a scope connected between the negative end of C35 and tp 6, the ripple should be less than 5 mV p-p. Apply a 7K ohm load between the negative end of C35 and tp6 and check for a change in voltage of greater than 2 volts. With the line voltage varied $\pm 10\%$, the -190 bias voltage should not vary more than 500 mV unloaded.		
33	Repair as required, then repeat step 31.		
34	With the DVM HI input transferred to junction R72 and the collectors of Q6 and Q8, does the DVM read between -20 and -22V dc?	37	35
35	For a fault in the -21 volt circuit, check CR1, CR3, Q7 and Q8, and the differential amp transistors Q3, Q4, Q5 and Q6. The collector of Q2 should be at approximately +6.5 Volts except when the -100 volt range is selected. The collector of Q7 should be approximately 28.4 volts and the emitters of Q3 and Q4 should be close to equal and between 0.7 and 1.8 volts. The gate of Q1 should be $0 \pm 100 \mu$ Volts, however, at least a 10K ohm resistor should be used in series with the voltmeter probe to prevent oscillation.		
36	Repair as required then repeat step 34.		
37	With the DVM HI input transferred to tp 3 does the +190 Regulated Supply read between +185 and +200V dc.	41	38
38	Check the regulation of Q25, Q26, Q28 and their associated components then verify the circuit as follows: With a scope connected between tp3 and tp6, the ripple should be less than 100 mV p-p. Apply a 4K ohm load between the Cathode of CR32 (Q27 Emitter convenient equivalent) and tp 6 and check for a change in voltage of less than 500 mV. The ripple with the load applied should not exceed 100 mV. With the line voltage varied $\pm 10\%$, the regulated +190 Volts should not vary more than 1 volt with or without the 4 K ohm load applied.		
39	Check the limiting of Q27 and its associated components, then verify the circuit as follows: With a scope connected between tp3 and tp6 the ripple should be less than 100 mV p-p. Apply a 1.3K ohm load between the Cathode of CR32 and tp6 and check for a change in voltage of greater than 50 volts.		
40	Repair as required then repeat step 37.		
41	Recheck the zero dc offset between tp OUTPUT (HI) and tp 6 for $0 \pm 100 \mu$ Volts.		
42	Is the offset within tolerance now that all the regulated power supplies have been verified?	45	43
43	Try to bring within tolerance by adjusting R6 PWR AMP ZERO. If insufficient range exists check the main signal and main feedback paths through the Power Amplifier. Check the Op Amp U1. CR29 and C29 at the input or Q38, and Q33 with their respective associated components could cause the offset. CR19 and CR20 breaking down at an incorrect voltage could cause the offset through the feedback path. Relays K1 and K2 should be energized and deenergized respectively in all ranges except the 100 volt range. In the 100 Volt range, their status should be reversed. Any other configuration could cause an offset and distortion. The output stage components Q20 and Q23, with C12, C17, C19, CR8 and CR9 are also a possible problem. The BIAS CURRENT ADJUST R26 should be set at the minimum but if this reads more than 350 mV, between tp5 (+) and tp4 (-), the circuit is defective. Also check for loading in the output cable.		
44	Repair as required, then repeat step 41.		
45	Remove power from the instrument. Wait at least three minutes, then connect the Power Amplifier Output cable to the Attenuator Assembly with a coaxial extension cable and set S1 to the position the red dot is visible. Reconnect the Oscillator Assembly to the Motherboard.		

Table 4-12. POWER AMPLIFIER ASSEMBLY, A7 (Cont.)

STEP NO.	ACTION	Go to the step number given for correct response	
		YES	NO
46	Set the POWER Switch to ON, and after the delay, the MODE switch to STDBY.		
47	While observing the OVERLOAD indicator, rotate the voltage and frequency range switches through their various combinations. Do not exceed the Volt/Hertz specifications.		
48	Did the OVERLOAD indicator come 'ON' for any frequency/voltage range combination?	49	52
49	Were the detailed power supply checks beginning at step 5 performed?	51	50
50	Prepare the equipment as detailed in Step 1, then perform the detailed power supply checks starting at step 5.		
51	Isolate the overload problem to the Power Amp by turning off the power and pulling the cable going from the Power Amp to the Atten. Assy. If the Overload LED goes out, the problem is likely in the Atten. Assy. Refer to the Atten. T/S Table. If it stays lit the problem is likely to be in the Power Amp. Disconnect the Oscillator Assembly. Check the output bias circuit. Check at tp OUTPUT for an oscillation with the input shorted (tp 6 to extender pin 69). If the oscillation is approximately 3 mHz, check U1 and its associated circuitry. If approximately 10 MHz check C43 and C36. If the oscillation is at 250 - 600 MHz it might be Q4 or Q34 through Q37. (These can be traced with a pick up loop and spectrum analyzer display.) Check K1 and K2 in the feedback loop and CR19/CR20. With the overload (LIMIT high) Q39 conducts gating on Q38 to shunt U1 with C8 to stabilize the amplifier and prevent oscillation in U1. Also Q33 will conduct to short the input to input low through C28 for stabilization and quick recovery from the overload. Repair as required then repeat step 47.		
52	Select an output of 1 volt on the 10-volt range at 1 KHz and set the MODE switch to STDBY.		
53	Using an oscilloscope, is an AC signal present at tp OUTPUT, equal to approximately 1 volts rms?	66	54
54	Is an input signal present from the oscillator assembly at extender pin 69?	56	55
55	Check the Oscillator Assembly output, for loading of the output on the Oscillator Control Assembly and the interconnections. Repair as required, then repeat from step 52.		
56	Perform the applicable step from the sequence in steps 57 through 65 to isolate the fault. Repair as required, then repeat the sequence starting at step 52.		
57	The sense loops can be isolated with the following procedure: Verify the Power Amp is on an extender and the Output Cable is not connected to the Attenuator. Disconnect the attenuator sense cable from the AC-DC converter. Short tp4 and tp5 on the AC-DC Converter. Set the MODE switch to operate. In the 10-volt range, the normal indication is a X3 gain between the input from the oscillator and tp OUTPUT. In the 100 Volt range, the gain should be 30. When the Attenuator Feedback loop is disconnected the gain is dependent on the Power Amp feedback resistors R1, R2 and their associated circuitry.		
58	All inputs can be isolated by removing the oscillator and oscillator control assemblies, after power has been removed, and connecting an external oscillator between extender pin 69 (HI) and tp6 (LO). Check for the proper gain (3 or 30 up to the maximum swing) with a scope. The input should be kept below 3.3V rms.		
59	DC levels may be checked by removing the oscillator and oscillator control assemblies, the attenuator sense cable, the Power Amp output cable and shorting the power amp input (extender tp69) to input LO (tp6). Typical DC levels are found in the detailed power supply checks in steps 1 and 5 through 44 which should be performed at this time if not done previously.		

Table 4-12. POWER AMPLIFIER ASSEMBLY, A7 (Cont.)

STEP NO.	ACTION	Go to the step number given for correct response	
		YES	NO
60	Check the DC through Low frequency operation of the Power Amp Assembly. Remove power from the instrument. Wait at least three minutes then remove Q15 and Q9 from the Power Amplifier. Set S1 to the low voltage position (white dot showing), disconnect the Power Amp output cable from the attenuator and short the assembly input (tp6 to extender pin 69). Disconnect the Oscillator and Oscillator Control assemblies from the instrument. Place an alligator clip on one end of 100 ohm 2 watt carbon resistor and a transistor lead on the other. Connect the resistor between the vertical shield in the center of the board and the collector hole of the removed Q15. Turn R26 BIAS CURRENT ADJUST Fully counterclockwise and connect a voltmeter between tp OUTPUT (HI) and tp6.		
61	Select a 1 volt output on the 10 volt range at 1 kHz and set the MODE switch to STDBY. The output should be approximately +2.4V dc. Also check between the top of R72 (HI) and tp6 for approximately -14V dc.		
62	Very carefully remove the load (resistor connected in step 60) and check that the output voltage goes to approximately +22V dc and the voltage at the top of R72 remains at -14V dc.		
63	Connect the 100 ohm resistor between the collector pin on the socket for Q15 and extender pin 77 (-30V). The output voltage should go to approximately -12.5V and the voltage at the top of R72 to approximately -28.5V dc.		
64	The voltage swing at R72 is an indication of the condition of the input and mid stages. The swing of the output is an indication of the condition of the driver and output stages.		
65	Remove power from the instrument. Wait at least three minutes, then replace Q9 and Q15, the disconnected assemblies, and return S1 to the High Voltage Mode of Operation (the red dot visible). R26 is readjusted for the correct bias in the next sequence. Restore power to the instrument.		
66	With a Line isolated voltmeter measure the output stage between tp5 (HI) and tp4. If the voltmeter has a guard connect it to input LO.		
67	Is the bias voltage adjustable by R26 BIAS CURRENT ADJUST to 350 ± 10 mV, representing a bias current of 35 mA?	70	68
68	Biasing current for the driver stage is established by CR17. 14 mA flows from the +300V through R82 - R84, CR17, Q14, R28, Q15, Q36, Q37, and Q42 and their associated components to the -190 regulated supply. R26 develops the voltage drop needed across Q14 and R28 to bias the drivers and output transistors. The voltage drop across Q14 should be between 2.24 and 2.84 volts, depending on the setting of R16. The circuit can be affected if C12, CR5 or CR6 are shorted or leaking. CR8 and CR9 can effect the output giving the impression of a bias defect.		
69	Repair as required then repeat step 66.		
70	Verify all assemblies are installed in the instrument (the Power Amplifier on the extender assembly). Switch S1 should have the red dot visible for the High Voltage Mode. Verify the Power Amp output cable is connected to the Attenuator and the Attenuator sense cable connected to the AC-DC converter assembly.		
	NOTE <i>This test insures proper operation and fast recovery to the overload circuit. To perform it the Attenuator Assembly A6 must be operational with its feedback circuit.</i>		
71	Connect an oscilloscope across the 5200A output terminals.		

Table 4-12. POWER AMPLIFIER ASSEMBLY, A7 (Cont.)

STEP NO.	ACTION	Go to the step number given for correct response	
		YES	NO
72	Obtain an output of 10 volts on the 10 volt range at 1 kHz.		
73	Place a two watt carbon composition 100 ohm load on the output.		
74	Does the OVERLOAD indicator illuminate and the oscilloscope display an attenuated waveform, clipped on both the positive and negative peaks?	76	75
75	Check the -190 regulator if the negative portion is defective, the +190, if the positive, then repeat step 72.		
76	Return to STDBY, verify the OVERLOAD indicator extinguishes. Remove the 100 ohm resistor.		
77	Obtain an output of 100 Volts on the 100-volt range at 1 kHz then apply a 1K ohm 10 watt resistor as a load.		
78	Does the OVERLOAD indicator illuminate and the oscilloscope display an attenuated waveform, clipped on both the positive and negative peaks?	80	79
79	Check the -190 regulator, if the negative portion is defective. The +190, if the positive. Repair as required then repeat step 76.		
80	Return to STDBY and remove the load.		
81	Obtain an output of 10 volts on the 10 volt range at 1 kHz then apply a shorting link to the output terminals.		
82	The OVERLOAD indicator illuminates and the output drops to zero.		
83	Remove the short. The OVERLOAD indicator extinguishes and the output returns to normal.		
84	Is the short circuit recovery feature operational?	86	85
85	Check the -190 regulator, if the negative portion is defective. The +190 if the positive. Repair as required then repeat step 80.		
86	Connect the DC coupled oscilloscope between tp2 (-190V LIM) and tp6 (LO) and obtain a 10 volt (10 Volt range) output at 1 kHz (1 kHz range).		
87	When a short is applied to the 5200A output, does the display fold to zero volts at a 1 kHz rate?	89	88
88	Check Q19, Q24 and their associated components. Repair as required, then repeat step 86.		
89	Connect the AC coupled oscilloscope between tp1 (-190V) and tp6 (LO) and obtain a 10 volt (10 volt range) output at 1 kHz (1 kHz range).		
90	When a short is applied to the 5200A output, does the display peak at +5 and -3 volts at a 1 kHz rate, but not fold back (i.e. go toward zero)?	92	91
91	Check Q31, Q32, Q40 and their associated components. Repair as required, then repeat step 89.		
92	Connect the AC coupled oscilloscope between tp3 (+190V) and tp6 (LO) and obtain a 10 volt (10 volt range) output at 1kHz (1kHz range).		
93	When a short is applied to the 5200A output, does the display fold to zero volts at 1 kHz?	95	94
94	Check the +190V Regulator. Repair as required, then repeat step 92.		

Table 4-12. POWER AMPLIFIER ASSEMBLY, A7 (Cont.)

STEP NO.	ACTION	Go to the step number given for correct response	
		YES	NO
95	Prepare the scope display for AC coupling, 1V/CM, 0.5 ms/CM, then connect it between the negative end of C35 and tp6 (LO).		
96	Short the output terminals, then select a 10 volt on the 10 volt range/1 kHz output.		
97	Does the scope display a waveform of approximately 3 volts peak-to-peak at the negative end of C35?	99	98
98	Check transistors Q41, Q42 and their associated components. If the waveform is 1 volt peak-to-peak replace the transistors. When complete remove the short, repair as required and repeat step 86.		
99	Perform the distortion tests outlined in paragraph 4-43.		
100	Were the results acceptable at all frequencies?	110	101
101	Perform the applicable steps from the sequence in steps 102 through 109 to isolate the fault. Repair as required, then repeat the test starting at step 99.		
102	Disconnect the Power Amp from the extender assembly, short tp4 to tp5 on the AC-DC converter, and check for distortion at extender pin 69. If the distortion remains, check the Oscillator Assembly using the applicable table. Also check the Power Supply for excessive ripple.		
103	If there was no distortion with the Power Amp disconnected, wait three minutes after you remove power and replace the Power Amp, except leave the output cable disconnected, connect a short between tp4 and tp5 on the AC-DC Converter, connect a clip lead between tp7 on the Oscillator and the positive end of C29 (bottom) of the Power Amp and set the Front Panel voltage output switches for 3.3 volts. Check at the positive end of C29 (bottom) for distortion. If distortion remains check for a dc offset or ripple on the outputs of the Power Amp (step 3) and Oscillator Assembly and for failure of C29 or CR29 on the Power Amp input circuit. If the distortion disappears, check for a failure in the Power Amp output stage.		
104	Check the output high and low signal paths back through the sense lines. This can be accomplished by disconnecting the oscillator assembly and applying an external oscillation between 0.3 and 3.3 V rms to the positive (bottom) end of C29 on the Power Amp. With an oscilloscope common on tp2 of the AC-DC Assembly, trace the 0.1 to 1.2 V rms signal back starting at C22 of the AC-DC Converter through the contacts of J52 to the Attenuator Assembly. Refer to Table 4-11 for the Attenuator checks.		
105	Verify the bias as monitored between tp5 (HI) and tp4 (LO) on the Power Amplifier is $+350 \pm 10$ mV. Adjust R26 BIAS CURRENT ADJUST for this reading if required. If not adjustable, refer to step 66.		
106	Verify the proper operation of Power Amp relays K1 and K2. In all ranges except 100 volts K1 should be energized and K2 de-energized. In the 100 volt range, the conditions are reversed.		
107	Shorted or leaking zener diodes CR19 and CR20 may cause distortion problems.		
108	Q20 and Q23 may cause breaking down at the high voltage peaks. This can be observed with an oscilloscope by connecting a X10 probe between the bias test points tp4 and tp5. Select and monitor an output of 119V rms at 10 Hz (to obtain the longest possible duty cycle) then slowly increase R26 BIAS CURRENT ADJUST for a bias reading of 450 mV. For clipping on the positive peaks, check Q23 as the most likely problem, for clipping on the negative, check Q20. When completed, reset the bias for 350 ± 10 mV.		
109	If the distortion is in the form of an oscillation, repeat the check listed in step 51.		

Table 4-12. POWER AMPLIFIER ASSEMBLY, A7 (Cont.)

STEP NO.	ACTION	Go to the step number given for correct response	
		YES	NO
110	Check the gain of the Power Amp by comparing the input signal at the positive end of C29 (bottom) with the signal at tp OUTPUT using an oscilloscope. With the MODE switch in STDBY, the gain should be X3 in all ranges. If the switch is in OPER, the gain should be X30 in the 100 volt range and X3 in all others.		
111	Is the gain correct in all ranges?	113	112
112	Check the operation of relays K1 and K2. In the 100 volt range K2 should be energized and K1 de-energized. In all other ranges, the opposite is true. Resistors R1 and R2 in the feedback path determine the amount of gain. The Power Amp may be operated independently to isolate the gain problems by disconnecting the oscillator and oscillator control assemblies and connecting an external oscillator between the positive end of a C29 (bottom) and tp 6. Repair as required, then repeat from step 110.		
113	The test of the Power Amplifier Assembly A7 is now complete. If any component was replaced or an adjustment changed, a calibration procedure should be performed.		

Table 4-13. AC-DC CONVERTER PCB ASSEMBLY A8

STEP NO.	ACTION	Go to the step number given for correct response	
		YES	NO
1	Remove power from the instrument. Wait at least three minutes, then disconnect the power Amplifier Assembly A7, the Oscillator Control Assembly A9 and the Oscillator Assembly A10 from the Motherboard Assembly A2. Install the AC-DC Converter Assembly A8 in the instrument on the extender pcb assembly. When test points are not available, locations will be defined in reference to a component as it is seen facing the component side of the pcb, i.e., top of R1, bottom of R2, leftside of C3 or right side of K4. Refer to the component location drawings in Section 8 to locate the called out component on the assembly. With jumpers connect extender pin 86 to tp5 and tp2 on A8. Reapply power to the instrument.		
2	Check the floating inside the guard voltages supplied to the A8 Assembly. Connect the DVM LO input to extender pin 54 to check the +15 (F), -15 (F) and +20 (F) input voltages.		
3	Connect the DVM HI input to extender pin 67.		
4	Is the DVM reading between +14.9 and +15.1 volts dc?	5	27
5	Apply a 270 ohm load to the +15 (F) volts input.		
	NOTE <i>The load may be applied across the DVM input terminals, provided low-ohm test leads are used.</i>		
6	Does the DVM display change less than 1 volt when the load is applied?	7	27
7	Remove the lead and transfer the DVM HI input to extender pin 61.		
8	Is the DVM reading between -14.5 and -15.5 volts dc?	9	27
9	Apply a 270 ohm load to the -15 (F) volt input.		
10	Does the DVM display change less than 1 volt when the load is applied?	11	27
11	Remove the load and transfer the DVM HI input to extender pin 65.		
12	Is the DVM reading between +19.75 and +20.25 volts dc?	13	27
13	Apply a 270 ohm load to the +20 (F) volt input.		
14	Does the DVM display change less than 1 volt when the load is applied?	15	27
15	Remove the load and transfer the DVM LO input to extender pin 85 to check the standard inside the guard voltages. Transfer the DVM HI input to extender pin 84.		
16	Is the DVM reading between +4.75 and 5.25 volts dc?	17	27
17	Apply a 100 ohm load to the +5 volt input.		
18	Does the DVM display change less than 0.5 volts when the load is applied?	19	27
19	Remove the load and transfer the DVM HI input to extender pin 79.		
20	Is the DVM reading between +14.5 and +15.5 volts dc?	21	27
21	Apply a 270 ohm load to the +15 volt input.		

Table 4-13. AC-DC CONVERTER PCB ASSEMBLY A8 (Cont.)

STEP NO.	ACTION	Go to the step number given for correct response	
		YES	NO
22	Does the DVM display change less than 1 volt when the load is applied?	23	27
23	Remove the load and transfer the DVM HI input to extender pin 77.		
24	Is the DVM reading between -14 and -16 volts dc?	25	27
25	Apply a 270 ohm load to the -15 volt input.		
26	Does the DVM display change less than 1 volt when the load is applied?	31	27
27	Isolate the trouble from the Power Supply by removing power from the instrument, remove the A8 assembly from the extender, individually jumper extender pin 86 to extender pins 42, 54 and 72, reapply power and, repeat steps 2 through 26, disregarding the transfer instructions.		
28	Are all the voltages within tolerance?	30	29
29	Check the Power supplies for proper output. The voltages are also used on the Reference Assembly the Switch matrix A3 and the Attenuator A6. Repair or replace as required, then return to the step originating the transfer.		
30	Remove power, remove the jumpers installed in step 27, verify the jumpers installed in step 1 are installed, replace the A8 assembly in the extender assembly, reapply power and check the applicable circuits utilizing the voltage out of tolerance. Repair or replace components as required, then return to the step originating the transfer instruction.		
31	Remove power from the instrument. Open the line from the Reference Assembly at J51 and insert a "T" connector made from a BNC connector and two BNC to conhex adapters between the cable and J51.		
32	Verify the 5200A is set to operate at 1 volt on the 1-volt range and 1 kHz on the 1 kHz range.		
33	Connect the DVM to the "T" connector to monitor the Reference Assembly input and reapply power to the instrument. After the delay, set the MODE switch to STDBY.		
34	Divide the reading displayed on the DVM by ten. Record the result.		
	NOTE <i>The display should be a figure somewhere between 5 and 6 volts. The exact figure is not important, since it will vary, only the fact that the switch settings dividing the figure are linear.</i>		
35	Set the 5200A to operate at 0.1 volt on the 1-volt range. The DVM should display the figure recorded in step 34 $\pm 0.02\%$.		
36	Set the 5200A to operate at 0.2 volts on the 1-volt range. The DVM should display the figure recorded in step 34 $\pm 0.02\%$ multiplied by two.		
37	Repeat for each setting of the MSD magnitude switch, multiplying the figure in step 34 by the absolute switch to obtain the desired reading with a tolerance $\pm 0.02\%$.		
38	Are the readings linear and within tolerance?	43	39
39	Disconnect P51 from the A8 assembly, leaving the "T" connector attached to the cable. Connect the shield of the cable and the shield on the board. Repeat steps 32 through 37 without the load of the A8 assembly on the Reference Assembly.		

Table 4-13. AC-DC CONVERTER PCB ASSEMBLY A8 (Cont.)

STEP NO.	ACTION	Go to the step number given for correct response	
		YES	NO
40	Are the readings linear and within tolerance?	42	41
41	Perform the Reference Assembly test in Table 4-16. When the Reference Assembly output is correct, restart the test at step 32.		
42	Check the DC Reference input circuits of the AC-DC Converter Assembly A8 at J51 for loading. When the loading is removed, repeat the test beginning at step 32.		
43	Remove power from the instrument, disconnect the "T" adaptor and reconnect J51 to the A8 Assembly.		
44	Connect extender pins 18 and 86 with a jumper clip lead to energize K4 when power is applied. Verify the two jumpers installed in step 1 are in place.		
45	Apply a 1 volt rms $\pm 0.1\%$ signal at approximately 1 kHz from an external source to J52.		
46	Reapply power to the instrument.		
47	Using an AC differential voltmeter, is the input voltage present at the top of C22?	49	48
48	Check the input circuitry, especially K4. Repair and repeat step 47.		
49	Using an AC Differential voltmeter, is the output of the Buffer amplifier equal to the input voltage (unity gain)?	51	50
50	Measure the typical voltage figures given in Table 4-25 with differential voltmeters to isolate the failure to an individual circuit or component in the buffer amplifier. Repair as required, then repeat step 49.		
51	Repeat step 47, 48, and 49 with the input frequency set at 10 Hz and 1 MHz to check the bandwidth of the Buffer		
52	Check at the Anode of CR10 and Cathode of CR11 with an oscilloscope for the waveform displayed on the schematic of the AC-DC Converter Assembly (Figure 8-11).		
53	Are both waveforms present with a peak voltage of 1.4 volts for an input of J52 of 1V rms?	72	54
54	Remove power from the instrument. Remove the covers from the two DC operational Amplifiers, A8A1 (right) and A8A2 (left) and reverse them. Reapply power to the instrument and recheck the waveforms at the anode of CR10 and Cathode of CR11.		
55	Are both waveforms present with a peak voltage of 1.4 volts?	56	57
56	Remove and replace the defective Amplifier. These amplifiers are not repairable in the field, and must be replaced as a unit. Order Fluke Stock Number 332627. When the defective amplifier has been replaced, repeat step 52.		
57	Restore the DC Operational Amplifiers to their original positions.		
58	Reduce the input voltage at J52 to 0.1 volts rms at 1 kHz.		
59	Using a 20K resistor in series with the HI Lead of a DC differential voltmeter, check at the bottom end of R25 (input to rectifier amp).		
60	Is the reading equal to $0 \pm 10 \mu$ volts dc?	62	61

Table 4-13. AC-DC CONVERTER PCB ASSEMBLY A8 (Cont.)

STEP NO.	ACTION	Go to the step number given for correct response	
		YES	NO
61	Adjust R29 RECT. ZERO for the null $\pm 10 \mu$ volts. If there is insufficient range for adjustment, check the DC operational Amplifier, the adjustment circuitry, and the rectifier amplifier.		
62	Increase the input voltage at J52 to 1.0 volts rms at 1 kHz.		
63	Attach a 20K ohm resistor in series with the probe then check at the top to R15 for a typical value of +1.724V dc.		
64	Check at the bottom of R16 for a typical value of +1.714V dc or approximately 10 mVolts less positive than the voltage measured at R15.		
65	With an oscilloscope check at the top of R18 for a typical 180 mV peak-to-peak signal riding on a +7.29V dc level.		
66	Check at the top of R22 for a typical value of +8.05V dc.		
67	Check at the bottom of R22 for a typical value of +8.18V dc.		
68	Check at the top of R21 for a typical value of -11.45V dc.		
69	Check at the bottom of R23 for a typical value of -12.16V dc.		
70	Check at the junction of the Q14 and Q15 collectors for a typical 3.5 volts peak-to-peak balanced above and below the dc zero line ± 100 mVolts.		
71	Replace components in the rectifier amplifier as required and repeat step 52 until a satisfactory output is obtained. If the rectifier output assembly (406959) consisting of Q14, Q15, Q25, CR10, and CR11 are changed, insure the unit is not mounted flush to the pcb but approximately 3/8 of an inch away from the surface of the pcb.		
72	Select a 1 volt output on the 10 volt range and verify it is applied to J52.		
73	Connect dc coupled scope between tp3 and tp5 (LO).		
74	Check for an output at tp3 of approximately +12.5V dc.		
75	Select an 11 volts output on the 10-volt range.		
76	Check for an output at tp3 of approximately -13.5V dc.		
77	Are the voltages correct and swing from one extreme to the other?	79	78
78	Check the DC Operational Amplifier A8A1 (refer to step 54 for procedure) and Q24 with its associated circuitry. Replace or repair as required, then return to step 72.		
79	Connect the DVM to the bottom of R47 to monitor <u>AMPTD1</u> . Rotate the voltage magnitude LSD switch through its range. The DVM reading should go from a small negative value on all even numbers to approximately +15 volts for all odd numbers.		
80	Transfer the DVM to the bottom of R50 to monitor <u>AMPTD2</u> . Rotate the voltage magnitude LSD switch through its range. The DVM readings should be approximately +15 volts at settings 2, 3, 6, and 7, with a small negative voltage at other settings.		
81	Transfer the DVM to the bottom of R53 to monitor <u>AMPTD4</u> . Rotate the voltage magnitude LSD switch through its range. The DVM readings should be approximately +15 volts at settings 4, 5, 6, and 7, with a small negative voltage at other settings.		

Table 4-13. AC-DC CONVERTER PCB ASSEMBLY A8 (Cont.)

STEP NO.	ACTION	Go to the step number given for correct response	
		YES	NO
82	Transfer the DVM to the bottom of R56 to monitor $\overline{\text{AMPTD8}}$. Rotate the voltage magnitude LSD switch through its range. The DVM readings should be approximately +15 volts at settings 8 and 9, with a small negative voltage at other settings.		
83	Were the readings correct at all four resistors?	85	84
84	Check at extender pins 21 ($\overline{\text{AMPT1}}$), 23 ($\overline{\text{AMPTD2}}$), 25 ($\overline{\text{AMPTD4}}$) and 27 ($\overline{\text{AMPTD8}}$) for the correct inputs as outlined in steps 79 through 82. Data present replaces the +15 volts with -5 volts and a slightly positive output replaces the slightly negative voltage for data not present. If any readings are incorrect, check the output from the switch matrix and the interconnecting circuits. If all inputs are correct, check the FETS and Driver Transistors associated with the defective circuit. Repair as required and repeat step 79.		
85	Verify that only the A7, A9 and A10 Assemblies are removed from the circuit, tp2 is connected to tp5, extender pin 86 is connected with a jumper to both extender pin 18 and tp5, and an external oscillator is input to the pcb at J52. Connect an oscilloscope between tp3 (HI) and tp5.		
86	Set the 5200A frequency range to 1 kHz, then apply a 1.2V rms input at 2 kHz from the external source		
87	Does the oscilloscope display of the output at tp3 have a ripple voltage less than 20 mVolts peak-to-peak?	88	90
88	Sweep the external oscillator from 100 Hz to 1.2 MHz.		
89	Does the ripple voltage remain less than 20 mV peak-to-peak throughout the entire range?	91	90
90	Check the filter consisting of U2 and its associated circuitry, then repeat step 86.		
91	Set the 5200A frequency range to 100 Hz, then sweep the external oscillator from 10 Hz to 120 Hz.		
92	Does the ripple voltage remain less than 20 mV peak-to-peak through the entire range?	94	93
93	Check that extender pin 59 goes LO in the 100 Hz range only to energize K1. Check the contacts of K1 for closing and C25. Repair as required and repeat step 91.		
94	Transfer the external oscillator input to extender pin 70 (HI) and tp5 (LO). Remove the jumper from between extender pins 18 and 86 and connect it between tp4 and tp5. (The OVERLOAD indicator comes on automatically when these two points are jumpered).		
95	Set the external oscillator output for 3V rms $\pm 0.1\%$ at 1 kHz.		
96	Is the input signal present at the top of C22 (approximately 1V rms)?	98	97
97	Check relay K3 and its contacts. Repair as required and repeat step 95.		
98	Test of the AC-DC Converter A8 is complete. If any component was replaced or an adjustment changed a calibration procedure should be performed.		

Table 4-14. OSCILLATOR CONTROL ASSEMBLY A9

STEP NO.	ACTION	Go to the step number given for correct response	
		YES	NO
1	Remove power from the instrument. Wait at least three minutes, then install the Oscillator Control Assembly, A9 on an extender pcb. Leave the three coaxial cables connecting the assembly to the rear panel disconnected. Verify all assemblies except the Power Amplifier A7 are installed in the instrument. When test points are not available, locations will be defined in reference to a component as it is seen facing the component side of the pcb, i.e., top of R1, bottom of R2, left side of C3 or right side of K4. Refer to the component location drawings in Section 8 to locate the called out component on the assembly. Connect a jumper between tp4 and tp5 on the AC-DC Converter Assembly A8.		
2	Set the POWER Switch to ON, the CONTROL Switch to LOCAL, the PHASE LOCK Switch to OFF, the SENSE Switch to INT, Select 1 volt on the 10-volt range and 1 kHz on the 1 kHz range. <i>NOTE!</i> <i>The overload indicator will remain lit as long as TP4 (LIM) is jumpered to TP5 (COM).</i>		
3	Connect the DVM LO input to extender pin 85. Use this point as common while checking the input voltages to the assembly.		
4	Connect the DVM HI input to extender pin 75 and check for a reading between +29 and +31 volts dc.		
5	Transfer the DVM HI input to extender pin 73 and check for a reading between -29 and -31V dc.		
6	Transfer the DVM HI input to extender pin 79 and check for a reading between +14.5 and +15.5V dc.		
7	Transfer the DVM HI input to extender pin 77 and check for a reading between -14 and -16V dc.		
8	Transfer the DVM HI input to extender pin 84 and check for a reading between +4.75 and +5.25V dc.		
9	Are all the voltages present and within tolerances?	11	10
10	Check the outputs from the Power Supply Assembly and their interconnections, then repeat the checks beginning at step 3.		
11	Repeat steps 3 through 7 while applying a 270 ohms load. The change in voltage should be less than 1 V dc for all steps. If Low-Ohm test leads are used the load may be applied across the DVM input terminals.		
12	Repeat step 8 while applying a 100 ohm load. The change in voltage should be less than 0.5 volts dc.		
13	Do the input voltages stay within tolerance?	19	14
14	Remove power, wait at least three minutes, then remove the oscillator control assembly from the extender board and reapply power. After the delay, set the MODE switch to STDBY.		
15	Repeat steps 3 through 8, 11 and 12 with the Oscillator Control Assembly removed.		
16	Are all voltages within tolerance?	17	18
17	Check the output from the Power Supply using the applicable table and the interconnection circuits. Repair as required, then repeat the check beginning at step 1.		
18	Check the circuits on the pcb using the voltage or voltages which are out of tolerance. When the loading circuit is identified, repair as required, then repeat the check beginning at step 1.		
19	Transfer the DVM HI input to U10 pin 4 and check for a reading between +14.5 and +15.5V dc.		
20	Transfer the DVM HI input to U10 pin 11 and check for a reading between -14.5 and -15.5 V dc.		

Table 4-14. OSCILLATOR CONTROL ASSEMBLY A9 (Cont.)

STEP NO.	ACTION	Go to the step number given for correct response	
		YES	NO
21	Transfer the DVM HI input to the anode of CR3 (bottom) and check for a reading between +11 and +13 Volts dc.		
22	Transfer the DVM HI input to the Anode of CR4 (bottom) and check for a reading between -5 and -7 volts dc.		
23	Are all the voltages present and within tolerance?	25	24
24	Check the applicable regulator circuit, repair as required, and repeat steps 19 through 23.		
25	Repeat steps 19, 20 and 21 while applying a 1.8 k ohm load. The change in voltage should be less than 0.5V dc for all steps.		
26	Repeat step 22 while applying a 470 ohm load. The change in voltage should be less then 0.5 Volts.		
27	Do the voltages stay within tolerance?	29	28
28	Check the circuits on the assembly using the affected voltages. Repair as required and repeat the check beginning at step 19.		
29	Check the output of the oscillator assembly A10 between tp 7 (HI) and tp 1 with an oscilloscope.		
30	Is an oscillation present?	63	31
31	To continue with this check, it is assumed that the AC-DC Converter Assembly A8, and the Oscillator Assembly A10 are operational. If this assumption has not been verified, check the two assemblies using their respective test procedures.		
32	Use tp 1 as common.		
33	Check the Zero Crossing Detector circuit by connecting an external 0.5V rms, 1 kHz sine wave to the junction of R4/R5/U1-3 (bottom of either resistor) through a 0.1 μ F capacitor.		
34	Is the output a square wave, approximately 3 volts peak-to-peak, and 180° out of phase with the input?	37	35
35	Check U1 and its associated circuitry and repair as required.		
36	Is an oscillation now present at tp 7 (HI) and tp 1 of the Oscillator Assembly A10?	63	33
37	Check the On-shot multivibrator circuits by monitoring with a scope the signal at tp 3 (base of Q10). Apply an external 0.5V rms sine wave at 1 kHz to the Zero Crossing defector to the junction of R4/R5/U1-3 (bottom of either resistor through a 0.1 μ F capacitor).		
	NOTE		
	<i>If the pulses are difficult to see at the higher frequency settings, the input frequency may be increased to increase the repetition rate.</i>		
38	Select the 1 MHz range and check for an 0.1 μ sec pulse width at tp3.		
39	Select the 100 kHz range and check for an 0.5 μ sec pulse width at tp3.		
40	Select the 10 kHz range and check for a 5 μ sec pulse width at tp3.		
41	Select the 1 kHz range and check for a 50 μ sec pulse width at tp3.		

Table 4-14. OSCILLATOR CONTROL ASSEMBLY A9 (Cont.)

STEP NO.	ACTION	Go to the step number given for correct response	
		YES	NO
42	Select the 100 Hz range and check for a 380 μ sec pulse width at tp3.		
43	Are all waveforms present and correct?	46	44
44	If all the 100 kHz or the 1 MHz pulses are incorrect or missing, check U2 and its associated circuitry. Check the U15 circuit if the 10 kHz or 1 kHz pulses are incorrect. Check the U11 circuit if the 100 Hz pulse is incorrect. Repair as required.		
45	Is an oscillation now present between tp 7 (HI) and tp 1 of the Oscillator Assembly, A10?	63	37
46	Check the Switch Driver Circuits with the same 0.5V rms 1 kHz signal input at the zero Crossing detector. A chopped scope display of the waveforms at the collectors of Q11 and Q12 should be approximately 1.2 volts peak-to-peak centered on a zero Vdc reference with the two square waves opposite in polarity or 180° out of phase.		
47	Are both signals present and correct?	51	48
48	Check the transistors in the switch driver circuit and their associated components. Check the diodes CR9 through CR14 that are driven by the circuit. Repair as required.		
50	Is an oscillation now present between tp 7 (HI) and tp 1 of the Oscillator Assembly (A10)?	63	46
51	Check the input to the DC Amp at tp 7 (tp 1 common).		
52	Is the reading some DC value, typically between -1 and -12V dc, but less than the AC-DC Converters limit voltage of approximately -15V dc? (Reading should be the same as tp3, AC-DC Converter.)	55	53
53	Since the assumption was made that the AC-DC Converter, A8 is operational, check the interconnections between the two assemblies. If there is any question on the operational state of the A8 assembly perform the test in the applicable table.		
54	Is the oscillation now present between tp 7 (HI) and tp 1 of the Oscillator Assembly A10?	63	51
55	Check the dc voltage levels in the DC Amp, Diode Switches and Integrator circuits using Table 4-26. Verify the instrument is in the configuration described in steps 2 and 3 prior to beginning the check. After completing the table with the Oscillator Assembly A10 installed, remove power, remove A10, reapply power and complete the table. All values given in the table are typical and will vary slightly between instruments.		
56	Are all values in the table correct?	59	57
57	Check the circuits indicated by the test in the table. In the DC Amp FETS Q1 and Q17 are a matched pair selected at the factory. Order with Fluke Part Number 337774 with the red dot installed in Q1 and the yellow dot in Q17. To test the circuit connect an isolated High Input Impedance DVM between tp 7 (HI) and the junction of R2/R103 (bottom of both). The DVM should read approximately -0.5V dc. If it reads some positive voltage, replace the Q1/Q17 combination. If the Integrator balance is incorrect at tp 6, check by removing A10, placing a 1K resistor between tp 5 and tp 6 on the Oscillator Control Assembly and then monitoring tp 6 (tp 1 - LO) for 0 \pm 0.5V dc. Then vary R110 to its limits to insure the signal swings from approximately +1.25 V dc to -1.25V dc, bringing tp 6 to zero at some point in the adjustment. If it will not balance, check the matched set Q5/Q6 and/or the FETS Q4, Q29, Q30, Q31. This check of R110 is a troubleshooting adjustment only. When completed, R110 should be recalibrated. Repair the circuits as required.		

Table 4-14. OSCILLATOR CONTROL ASSEMBLY A9 (Cont.)

STEP NO.	ACTION	Go to the step number given for correct response	
		YES	NO
58	Is an oscillation now present between tp 7 (HI) and tp 1 on the Oscillator Assembly A10?	63	55
59	Check the voltage levels in the Four Quadrant Multiplier and Hi Freq. Rolloff Compensator circuits using the values in the Table 4-27. Verify the instrument is in the configuration described in steps 2 and 3 prior to beginning the check. After completing the table with the Oscillator assembly, A10 installed, remove power, remove A10, reapply power and complete the table. All values given in the table are typical and will vary slightly between instruments.		
60	Are all values in the table correct?	63	61
61	Check the circuit indicated by the tests in the table. The Four Quadrant Multiplier U3, may be isolated by exchanging it with the identical IC used at U9. The HI Freq. Rolloff Compensator provides again only at the highest frequencies. Refer to the calibration procedure for the steps required to adjust C54. Replacement of any frequency determining components on the Oscillator or Oscillator control assemblies may require a change in the capacity padding of C55. If required, use a high quality mica type capacitor. Repair the circuits as required.		
62	Is an oscillation now present between tp 7 (HI) and tp 1 on the Oscillator Assembly A10?	63	59
63	Connect a frequency counter between tp 7 (HI) and tp 1 on the Oscillator Assembly A10.		
64	Select 100 Hz on the 100 Hz range and check for an output between 99 and 101 Hz.		
65	Select 1 kHz on the 1 kHz range and check for an output between .99 kHz and 1.01 kHz.		
66	Select 10 kHz on the 10 kHz range and check for an output between 9.9 kHz and 10.1 kHz.		
67	Were all three frequencies within one percent?	69	68
68	The oscillator Control Assembly has control over range selection in the 100 Hz, 1 kHz and 10 kHz ranges. If the frequency has a large variation, check the appropriate relay. (K1, K2 and K3 respectively) and their associated circuits. Test points and typical voltage readings are given in Table 4-28. If the frequency error is minimal, the Oscillator Assembly should be checked first using the applicable table since that is more likely to be the source of the problem.		
69	Connect a RMS voltmeter between tp 7 (HI) and tp 1 (LO) on the oscillator assembly. Select the 100 Hz frequency range.		
70	Vary the voltage amplitude MSD from 0.1 to 1.0 (10 Hz to 100 Hz) while checking for a linear change from 0.33V rms to 3.3V rms (approximately).		
71	Select in turn, the other four frequency ranges and check for the linear voltage change.		
72	Is the oscillator voltage output linear on all five frequency ranges?	74	73
73	Check the DC Amp, Diode Switches and Integrator using the test points and typical values in Table 4-26. Check the 4 Quadrant Multiplier and Hi-Freq. Rolloff Compensator using the test points and typical values in Table 4-27. In addition, if not all ranges are defective, check the switching FETS Q20 through Q23 and their associated feedback capacitors. If only the 1 mHz range is non-linear, remove the pcb from the extender and install it directly in the instrument and recheck before troubleshooting since operation on the extender might effect the Hi-Freq. Rolloff Compensator circuit. Repair as required and then repeat the check beginning at step 69.		
74	Connect an oscilloscope to the J66 COUNTER output on the rear of the 5200A. If the Oscillator Control Assy is on an extender connect the oscilloscope to J62 on the assembly.		

Table 4-14. OSCILLATOR CONTROL ASSEMBLY A9 (Cont.)

STEP NO.	ACTION	Go to the step number given for correct response	
		YES	NO
75	Check for an 0.1 μ sec pulse with the 100 Hz, 1 kHz and 1 MHz ranges selected		
76	Check for a 0.5 μ sec pulse with the 100 kHz range selected.		
77	Check for a 5 μ sec pulse with the 10 kHz range selected.		
78	Is the pulse present with the correct width and an amplitude of at least 3 volts peak-to-peak in all five frequency ranges?	80	79
79	Check U13 and its associated circuitry, repair as required and repeat the check beginning at step 74.		
80	Using a short lead, connect the J65 Rear Panel Quadrature Output to a RMS differential voltmeter. If the Oscillator Control Assy is on an extender connect the differential voltmeter to J63 on the assembly.		
81	Vary the voltage amplitude MSD from 0.1 to 1.1 checking the linearity and amplifude of the output.		
82	Is the output voltage and linearity within the published specifications?	84	83
83	Check U14 and its associated circuitry, check zeners CR40 and CR41 which develop operating voltages for U14 and check the cabling for loading. Repair as required and then repeat the check beginning at step 80		
84	Remove power, install all assemblies in the instrument, install the top cover, and shield, reapply power and perform the PHASE LOCK test in paragraph 4-52.		
85	Is the Phase Lock Test satisfactory?	104	86
86	Remove power, the top cover and shield, wait at least 3 minutes then install the A9 Assembly on an extender pcb assembly and reapply power.		
87	Verify that extender pin 44 is at Logic LOW to enable the Squaring amplifier. It should be LOW except when the 1000V range is selected.		
88	Check the squaring amplifier by applying either the oscillator output from tp7 on the Oscillator assembly or an input of approximately 1V rms from an external oscillator to the junction of U7/R69/R70 through a 0.1 μ F coupling capacitor and clip leads.		
89	Is the output at tp 2 a square wave at approximately 4 volts peak-to-peak, at the selected frequency?	91	90
90	Check the squaring amplifier and repair as required. Note that the operating voltages for U7 are established by CR34 and CR45. Repeat the test starting at 88.		
91	To check the Phase Detector and Amplifier circuits, apply a variable external oscillation of approximately 1 volt rms to the junction of U7/R69/R70 through an 0.1 μ F coupling capacitor.		
92	Connect a dc coupled oscilloscope to U8-2.		
93	Set the external frequency slightly higher than the Front Panel selected frequency and check with the scope for approximately +1 volt dc with some beat frequency.		
94	Change the external frequency to slightly less than the Front Panel selected frequency and check for approximately -1V dc with some beat frequency.		
95	Match the external and selected frequencies and check for zero volts and no beat frequency.		
96	Is the output correct at all three frequencies?	98	97

Table 4-14. OSCILLATOR CONTROL ASSEMBLY A9 (Cont.)

STEP NO.	ACTION	Go to the step number given for correct response	
		YES	NO
97	Check the Phase Detector and its associated circuitry. Repair as required and repeat the test beginning at step 91.		
98	Transfer the oscilloscope input to tp4.		
99	Repeat steps 93, 94 and 95 replacing +1V dc in step 93 with +13V dc and -1V dc in step 94 with -13V dc.		
100	Repeat step 99 with each of the other four frequency ranges.		
101	Is the output correct at all frequency ranges?	103	102
102	If defective in all ranges, check U8 and its associated components. If defective in one or more ranges, check the FETS, the feedback components and the logic lines. Repair as required and repeat the test beginning at step 98.		
103	If the phase detection signal is present at tp4, but the phase lock circuitry is not operational, check the PHASE LOCK Logic line at extender pin 31, Relay K5, Q32 and Q33, the inputs to U9 and Q24. Isolation of U9 may be accomplished by interchanging U3 and U9, however, if the IC that had been installed in U9 is defective, the problem will transfer to the amplitude channel and signals required to operate the multiplier circuit may be missing. Be sure and replace the two IC's in their original sockets if they are interchanged. Repair as required and then repeat the test starting at step 84.		
104	The test of the Oscillator Control Assembly A9 is now complete. If any component was changed or an adjustment changed, a calibration procedure should be performed.		

Table 4-15. OSCILLATOR PCB ASSEMBLY A10

STEP NO.	ACTION	Go to the step number given for correct response	
		YES	NO
1	<p>Remove power from the instrument. Wait at least three minutes, then disconnect the Power Amplifier Assembly A7, the AC-DC Converter Assembly A8, and the Oscillator Control Assembly A9 from the Motherboard Assembly, A2. Install the Oscillator Assembly A10 in the instrument on the extender pcb Assembly. When test points are not available, locations will be defined in reference to a component as it is seen facing the component side of the pcb., i.e., top of R1, bottom of R2, left side of C3 or right side of K4. Refer to the component location drawings in Section 8 to locate the called out component on the assembly. With three jumpers, connect tp1 to tp2, tp4 and extender pin 86. Very carefully unsolder then remove the bottom end of R1 from the pcb. Reapply power to the instrument.</p> <p style="text-align: center;">NOTE</p> <p style="text-align: center;"><i>To provide a return path, Extender pin 86 must be connected to tp1 anytime the Oscillator Control Assembly is not installed in the instrument.</i></p>		
2	Connect the DVM LO input to extender pin 85. Use this point as common while checking the input voltages to the assembly.		
3	Connect the DVM HI input to extender pin 80 and check for a reading between +14.5 and +15.5 Volts dc.		
4	Transfer the DVM HI input to pin 78 and check for a reading between -14 and -16 Volts dc.		
5	Transfer the DVM HI input to the land pattern at the top center of the pcb labeled +15 and check for a reading between +14.5 and +15.5 Volts dc.		
6	Transfer the DVM HI input to the -15 land pattern and check for a reading between -14 and -16 Volts dc.		
7	Transfer the DVM HI input to pin 76 and check for a reading between +29 and +31 volts dc.		
8	Transfer the DVM HI input to pin 74 and check for a reading between -29 and -31 Volts dc.		
9	Are all voltages present and within tolerance?	11	10
10	Check the outputs from the Power Supply Assembly and the interconnections, then repeat the checks beginning at step 2.		
11	Repeat steps 2 through 9 while applying a 270 ohm load. The change in voltage should be less than 1 Volt dc for all steps. The load may be applied across the DVM input terminals if Low-Ohm test leads are used.		
12	Do the input voltages stay within tolerance?	18	13
13	Remove power, wait at least three minutes, then remove the A10 assembly from the extender board. Leave the extender installed and jumper pin 57 to pin 86. Reapply power to the instrument.		
14	Repeat steps 2, 3, 4 and 7 through 11 with the A10 assembly removed.		
15	Are the power supplies still loaded?	16	17
16	Check the power supply assembly and interconnections for loading. Repair as required. Remove the jumper between extender pins 57 and 86 and install the Oscillator assembly in the extender. Repeat the check starting at step 2.		

Table 4-15. OSCILLATOR PCB ASSEMBLY A10 (Cont.)

STEP NO.	ACTION	Go to the step number given for correct response	
		YES	NO
17	Isolate the component loading the applicable input and repair as required. Remove the jumper between extender pins 57 and 86 and install the Oscillator assembly in the extender. Repeat the check starting at step 2.		
18	Measure and record the voltage between tp3 (HI) and tp1 with a DVM.		
19	Vary R2 from one extreme to the other while observing the DVM display.		
20	Does the DVM vary from approximately +15 to approximately -15 volts dc at the two extremes?	21	59
21	Remove the jumper between tp1 and tp2. Replace the jumper with a 1K ohm resistor, using clip leads. Verify tp1 is jumpered to extender pin 86.		
22	Vary R2 from one extreme to the other while observing the DVM display.		
23	Does the display vary through zero volts dc over a total spread of approximately 13 mV dc?	24	59
24	Begin the check of amplifier A10A2 by verifying tp1 is jumpered to both tp6 and extender pin 86, the jumper between tp1 and tp4 is removed and a 1K ohm resistor on clip leads connects tp1 and tp2. Transfer the DVM HI input to tp5.		
25	Vary R2 from one extreme to the other while observing the DVM display.		
26	Does the DVM vary from approximately +15 to approximately -15 volts dc at the two extremes?	27	59
27	Connect a 1K ohm resistor between tp4 and tp5 with short clip leads.		
28	Vary R2 from one extreme to the other while observing the DVM display.		
29	Does the display vary through zero volts dc over a total spread of approximately 13 mV dc?	30	59
30	Begin the check of Amplifier A10A3 by verifying tp1 is jumpered to extender pin 86. Remove the jumper between tp1 and tp6. Verify a 1K ohm resistor connects tp1 and tp2 and another 1K ohm resistor connects tp4 and tp5. Transfer the DVM HI input to tp7.		
31	Vary R2 from one extreme to the other while observing the DVM display. The output may contain about 80mV of high Frequency Oscillation during these steps. To remove this oscillation add a 0.1 μ F capacitor on clip leads between tp1 and tp7.		
32	Does the DVM vary from approximately +7.8 to approximately -7.8 Volts dc at the two extremes?	33	59
33	Connect a third 1K ohm resistor between tp6 and tp7 with short clip leads.		
34	Vary R2 from one extreme to the other while observing the display.		
35	Does the display vary through zero volts dc over a total spread of approximately 13 mV dc?	36	59
36	Remove all jumpers and resistors except the jumper connecting tp1 and extender pin 86.		
37	With the DVM connected between tp7 (HI) and tp1 adjust R2 for a reading of 0 ± 10 mVdc.		
38	Connect a 2K ohm resistor between tp7 and the disconnected end of R1. Set the Frequency Magnitude MSD switch to 0.1. If the 0.1 uF capacitor was installed in step 31 remove it.		
39	Connect an oscilloscope and a frequency counter between tp7 (HI) and tp1.		

Table 4-15. OSCILLATOR PCB ASSEMBLY A10 (Cont.)

STEP NO.	ACTION	Go to the step number given for correct response	
		YES	NO
40	Check for an output of approximately 50 kHz and 14 volts peak-to-peak. (The A9 assembly is not installed at this time so the front panel range switch is inoperative.)		
41	Check the output of each position of the Frequency Magnitude MSD Switch. The frequency should increase approximately 50 to 60 kHz for each switch increment. The voltage should remain fairly constant, decreasing slightly as the frequency increases.		
42	Is the independent operation of the oscillator acceptable?	44	43
43	Check the FET switches, capacitors and interconnections between the stages. Repair as required, then repeat the check starting at step 40.		
44	Remove Power from the instrument. Solder in place the end of R1 previously disconnected. Remove all jumpers. Replace any boards disconnected except the Power Amplifier Assembly A7. On the AC-DC Converter Assembly A8 jumper tp4 and tp5. Set the Frequency Range to 1 kHz. Connect a Frequency counter to the Oscillator Output tp7 (HI) and tp1 (LO). Reapply power to the instrument.		
45	Vary the Frequency Magnitude Switches throughout their range.		
46	Are all frequency settings within the specifications?	52	47
47	If there is no output check the input. It originates at the AC-DC Converter Assembly tp3, is acted upon by the Oscillator Control Assembly A9 and is routed through the Motherboard A2. If there is no oscillation tp3 on the AC-DC Converter will be at approximately -13V dc.		
48	If the frequency is high at all settings, check relays K1 and the frequency range relays on the Oscillator Control Assembly. K2 should be energized from the Oscillator Control Assembly for all frequency ranges except 1 MHz.		
49	If the frequency is high at some but not all magnitude settings, try the switch settings at positions 1, 2, 4 and 8 until the frequency is correct. Check the FET switches and drivers in that channel for components that stay "on", such as leaky FET SWITCHES. Use Table 4-29 to determine the correct switch logic outputs.		
50	If the frequency is low, check at switch positions 1, 2, 4 and 8 of the magnitude levels. Check the channel with the missing or lowest ratio output for open components. Use Table 4-29 to determine the correct switch logic outputs.		
51	Repair as required, then repeat step 45.		
52	Remove power from the instrument. Remove any jumpers and loads installed except the jumper between tp4 and tp5 on the AC-DC Converter. Install internally all assemblies except the Power Amplifier A7 and install the inner guard. Connect a frequency counter to the Counter Output at the rear of the instrument. Reapply power to the instrument.		
53	Monitor the output frequency of various magnitude settings on the 100 Hz and 10 kHz ranges.		
54	Are the output frequencies within specifications?	56	55
55	Check the range controls for the 100 Hz and 10 kHz on the Oscillator Control Assembly A9, then repeat 53.		
56	Monitor the output frequency at various magnitude settings on the 100 kHz and 1 MHz ranges.		
57	Are the output frequencies with specifications?	74	58

Table 4-15. OSCILLATOR PCB ASSEMBLY A10 (Cont.)

STEP NO.	ACTION	Go to the step number given for correct response	
		YES	NO
58	Check the range control circuitry for the 100 kHz and 1 MHz ranges, then repeat step 56.		
59	Verify a shorting jumper is installed between tp1 and tp2. Make the voltage checks in the following procedure using tp1 as common for the DVM input. All voltages given are typical and will vary slightly between instruments. Once a voltage level has been established, for example, by testing A1, the voltage level should be constant at the same relative point in the remaining amplifiers. Select only the check for the applicable component. Most checks list a component check point for each of the three amplifiers available; A10A1 Summing Amplifier, A10A2 Quadrature Amplifier and A10A3 Oscillator Amplifier. Enclosed in parenthesis behind the component is a convenient location for the test. The test should be performed with the Oscillator assembly on an extender, all other assemblies except the Power Amplifier installed, a jumper between tp4 and tp5 on the AC-DC Converter, 1 kHz on the 1 kHz range selected, the instrument in standby and R2 adjusted so that tp7 reads close to 0 ± 10 mV.		
60	Check for 0 ± 10 mV dc at the gate of the applicable transistor: A1 - Q50 (top of R4), A2 - Q58 (top of R131), A3 - Q66 (top of R132).		
61	Check for 0 ± 0.5 V dc at the gate of the applicable transistor: A1 - Q51 (top of R83), A2 - Q59 (top of R110), A3 - Q67 (top of R134).		
62	Check for +1.13V dc at the junction of the applicable resistors: A1 - R78/R79 (bottom of either), A2 - R106/R107 (bottom of either), A3 - R136/R137 (bottom of either).		
63	Check for +10V dc at the base of the applicable transistor: A1 - Q52, A2 - Q60, A3 - Q68.		
64	Check for -14.5V dc at the base of the applicable transistor: A1 - Q54 (top of R89), A2 - Q62 (top of R116), A3 - Q70 (top of R141).		
65	Check for +0.7V dc at the base of the applicable transistor: A1 - Q56 (top of C13 or bottom of R97), A2 - Q64 (top of C231 or bottom of R12), A3 - Q72 (top of C34 or bottom of R148).		
66	Check for -0.7V dc at the base of the applicable transistor: A1 - Q57 (bottom of C13 or R99), A2 - Q65 (bottom of C23 or R126), A3 - Q73 (bottom of C34 or R153).		
67	Check for +6.7V dc at the Cathode of the applicable diode: A1 - CR5 (top), A2 - CR11 (top), A3 - CR17 (top).		
68	Check for -6.7V dc at the anode of the applicable diode: A1 - CR6 (bottom), A2 - CR12 (bottom), A3 - CR18 (bottom).		
69	Check for 0 ± 50 mV dc at the anode of CR23 (bottom for A10A3 only).		
70	Check for 0 ± 50 mV dc at the cathode of CR25 (top) for A10A3 only.		
71	Check for +6.7V dc at the cathode of CR26 (top) for A10A3 only.		
72	Check for -6.7V dc at the anode of CR27 (bottom) for A10A3 only.		
73	Use any reading not acceptable as a basis for troubleshooting the applicable amplifier. Repair as required then repeat the step originating the transfer.		
74	The test of the Oscillator Assembly A10 is now complete. If any component was replaced or an adjustment changed, a calibration procedure should be performed.		

Table 4-16. REFERENCE ASSEMBLY A12

STEP NO.	ACTION	Go to the step number given for correct response	
		YES	NO
1	Before Performing the Reference Assembly test insure the Power Supply Switchboard and Mother Assemblies are fully operational.		
2	Remove Power from the instrument. Wait at least three minutes, then disconnect the Power Amplifier Assembly A7 from the instrument. Verify the AC-DC Converter and Oscillator Control Assemblies are installed in the instrument with a jumper connecting tp4 and tp5 on the AC-DC Converter. Remove the two shield covers from the Reference Assembly then install it in the instrument on the extender pcb assembly. It will be necessary to temporarily disconnect the Oscillator Control Oscillator and Remote Control Unit Assemblies to free the coaxial cable which normally connects to J51 on the AC-DC Converter. Connect the shield of the coaxial cable to the shield of J51 on the AC-DC Converter using a short clip lead. When test points are not available, locations will be defined in reference to a component as it is seen facing the component side of the pcb, i.e., top of R1, bottom of R2, left side of C3 or right side of K4. Refer to the component location drawings in Section 8 to locate the called out component on the assembly.		
3	Select POWER ON, LOCAL, PHASE LOCK OFF, VOLTAGE ERROR % OFF, 1 Volt on the 1-Volt Range and 1 kHz on the 1 kHz Range on the Front Panel Controls.		
4	With a DVM check between extender pins 81 (HI) and 77 for a reading between +14.5 and +15.5V dc.		
5	Apply a 270 ohm load to the DVM terminals and check for a change in voltage of less than 0.25V dc.		
6	Check between extender pins 79 (HI) and 77 for a reading between -14 and -16V dc.		
7	Apply a 270 ohm load to the DVM terminals and check for a change in voltage of less than 0.5V dc.		
8	Check between extender pins 83 (HI) and 77 for a reading between +19.5 and +20.5V dc.		
9	Apply a 270 ohm load to the DVM terminals and check for a change in voltage of less than 0.5V dc.		
10	Check between extender pins 2 (HI) and 5 for a reading between +14 and +16V dc.		
11	Apply a 270 ohm load to the DVM terminals and check for a change in voltage of less than 0.5V dc.		
12	Check between extender pins 1 (HI) and 5 for a reading between -14 and -16V dc.		
13	Apply a 270 ohm load to the DVM terminals and check for a change in voltage of less than 0.5V dc.		
14	Check between extender pins 8 (HI) and 5 for a reading between +4.5 and +5.5V dc.		
15	Apply a 10 ohm load to the DVM terminals and check for a change in voltage of less than 0.5V dc.		
16	Were all input voltage checks within tolerance?	18	17
17	If an input voltage is not present check the output from the power supplies and the Mother Assembly. For loading failures remove the Reference Assembly from the extender, leaving the extender installed in the instrument, and recheck the effected voltage or voltages. To isolate the loading to the Reference Assembly or the supply circuits. Since the Reference Output is used to generate the +20V (F) supply which is one of the inputs it is necessary to apply an external +6.955V dc between extender pins 60 (+) and 77 (-) and jumper pins 75 and 77 to complete the circuit for the tests. Repair as required then repeat the test starting at step 3.		
18	Connect a differential voltmeter between tp2 (HI) and tp4 on the Reference Assembly.		
19	Adjust R48 for a differential voltmeter reading of +7V dc \pm 10uV.		

Table 4-16. REFERENCE ASSEMBLY A12 (Cont.)

STEP NO.	ACTION	Go to the step number given for correct response	
		YES	NO
20	Is the adjustment attainable?	22	21
21	The +7 Volt reference supplies a reference to the floating +20V which is used to generate the +7 Volts. If the +20 (F) is within tolerance it is possible that values of some components has shifted sufficiently to prevent attaining the adjustment or the circuit is being loaded from within. Check for typical voltages at the points indicated. U29-2, +6.969V dc; U29-3, +6.975V dc; U29-6, +7.65V dc; Q14 Emitter, +7.1V dc; Q14 base, +6.4V dc; Q14 Collector, +6.2V dc; Extender pins 60 and 68, 6.955; Extender pin 64, +3.46V dc. Repair as required then repeat the test starting at step 18.		
22	Leave the voltmeter connected between tp2 (HI) and tp4. Set the VOLTAGE ERROR % switch to X1 and the vernier dial to zero.		
23	Can R75 be adjusted to a differential voltmeter reading of +7V dc ± 20 μ V?	25	24
24	Check U33 and its associated components. Typical voltage are +3.47V dc at U33-2, +3.46V dc at U33-3 and +6.955V dc at U33-6. Repair as required and repeat the test starting at step 22.		
25	Verify the differential voltmeter is connected between tp2 (HI) and tp4. Set the vernier dial to +3.0 and check for a reading of +6.790V dc ± 1 mV.		
26	Set the vernier dial to -3.0 and check for a reading of +7.21V dc ± 1 mV.		
27	Set the VOLTAGE ERROR % switch to X.1 with the vernier dial still at -3.0. Check for a reading of +7.021V dc ± 1 mV.		
28	Set the vernier dial to +3.0 and check for a reading of +6.979V dc ± 1 mV.		
29	Were all four readings within their respective tolerances?	31	30
30	Check U33 and its associated circuitry. Also verify the operation of the Voltage Error Switch, dial and relay K1 on the switchboard (Table 4-9 starting at step 46) and check the interconnections on the Mother Assembly. If the readings were incorrect on one scale and not the other (X1 or X.1) check the applicable series resistor R65 or R69.		
31	Set the VOLTAGE ERROR % switch to OFF and the vernier dial to zero. Verify the output cable is disconnected from J51 on the AC-DC converter assembly with the cable and connector shields connected with a clip lead.		
32	With an oscilloscope check the output cable for a ripple voltage on the output dc voltage.		
33	Is the ripple less than 3mV peak-to-peak?	35	34
34	Check the Active filter. Typical values are 3mV dc at U31-2, 0V dc at U31-3, +6mV dc at U31-6, +2mV dc at U32-2, 0V dc at U32-3 and +3mV dc at U32-6. Repair as required then repeat step 32.		
35	Verify the instrument is set to 1 Volt on the 10-Volt range and 1 kHz on the 1 kHz range.		
36	Record the DC Voltage reading on the Output Cable with a DVM.		
37	Select 2 volts on the 10-Volt range and record the dc voltage reading on the output cable.		
38	Subtract the reading recorded in step 36 from the recorded reading in step 37.		
39	Vary the Voltage Magnitude MSD through the remainder of its range.		

Table 4-16. REFERENCE ASSEMBLY A12 (Cont.)

STEP NO.	ACTION	Go to the step number given for correct response	
		YES	NO
40	The reading at the output cable should increase by the figure obtained in step 38 $\pm 0.03\%$ for each increasing step in magnitude.		
41	Check the linearity of change for the second, third and fourth MSD. Do not check the LSD at this point.		
42	Are the voltage changes linear for all ranges?	54	43
43	Check the frequency of the 10 MHz clock at tp1.		
44	Is the frequency at tp1 10 MHz ± 10 kHz?	46	45
45	Check the clock circuit. Typical dc voltages at various component locations follow. Emitter Q1 and Q2 $\approx +8.7V$, Base Q1 and Q2 $\approx +8.22V$, Collector Q1 $\approx +2.45V$, Collector Q2 $\approx +2.27V$, Collector Q4 $\approx +3.45$, Emitter Q3 and Q4 $\approx -0.68V$, Collector Q3 $\approx +6.95$, Base Q5 $\approx +1.7V$ and Base Q6 $\approx +1.0$. Repair as required then repeat step 43.		
46	Using internal triggering, check with a scope for a $0.1\mu\text{sec}$ negative start pulse at U18-6 and a $0.1\mu\text{sec}$ negative stop pulse at U18-8. The pulses should reoccur at approximately 13 msec intervals and be approximately 4 volts peak-to-peak.		
47	Is the Start pulse present at U18-6?	49	48
48	Check the counter outputs. Repair as required then repeat step 47.		
49	Is the stop pulse present at U18-8?	51	50
50	Check the inputs to the U18-8 NAND gate to isolate the portion of the comparator and/or input gating causing the problem. To test U18-13, trigger the scope at U12-15 and observe while varying the fifth MSD (5th decade from the left). The display should be a $0.1\mu\text{sec}$ for each step of the decade switch. Move the scope trigger to U13-15 and vary the fourth MSD and the $0.1\mu\text{sec}$ pulse should move $1\mu\text{sec}$ to the right for each step of the switch. For the U18-12 input, trigger the scope at U14-15 and observe for a $4\mu\text{sec}$ pulse that shifts to the right $10\mu\text{sec}$ for each step of the third MSD. Start the test of U18-10 with the trigger at U15-15. Vary the second MSD and observe a $100\mu\text{sec}$ pulse shift right $100\mu\text{sec}$ for each step. Move the trigger to U16-1 and the $100\mu\text{sec}$ pulse should shift right 1 msec for each step of the MSD decade switch. Shift the scope to U18-9, leaving the trigger at U16-1 for the final checks. For MSD positions 1, 2 and 3, a 4 msec pulse fills the first 4 msec of a 12 msec display. MSD positions 4 through 7 fill the center 4 msec of the display and positions 8 through 11 fill the last 4 msec of the display. When checking at U18-13 with the fourth MSD and at U18-10 with the MSD additional pulses will appear $4\mu\text{sec}$ and 4 msec to the right of the basic pulse. These are a result of two decade switches controlling one gate input and can be ignored. Repair as required then repeat step 49.		
51	Does the scope show a positive pulse (to $+7V$ dc) for 10 msec then a negative pulse (to $0V$ dc) for 3 msec at tp3?	53	52
52	Verify the voltage magnitude is set for 1 volt on the 10-Volt range at 1 kHz. Check the Flip-Flop and FET switches for the following typical voltages. The emitter junction of Q12/Q13 should be $\approx -10.31V$ dc, the base of Q12 $\approx -9.59V$ dc, the collector of Q12 $\approx -7.8V$ dc, the base of Q13 $\approx -9.88V$ dc, the collector of Q13 $\approx +3.00V$ dc and the emitter of Q8 $\approx +6.4V$ dc. The gate of Q9 should have a positive pulse (to $+7V$ dc) for 10 msec then a negative pulse (to $-10V$ dc) for 3msec. The gate of Q11 should have a positive pulse (to Zero V dc) for 10 msec then a negative pulse (to $-10V$ dc) for 3msec. Repair as required then repeat step 51.		
53	Check the Active filter for $+3$ mV dc at U31-2, $0V$ dc at U31-3, $+6$ mV dc at U31-6, $+2$ mV dc at U32-2, $0V$ dc at U32-3 and $+3$ mV dc at U32-6. Check the associated components in the 5-pole active filter. Repair as required repeat the test starting at step 35.		

Table 4-16. REFERENCE ASSEMBLY A12 (Cont.)

STEP NO.	ACTION	Go to the step number given for correct response	
		YES	NO
54	Is an RCU installed in the 5200A?	55	58
55	Repeat the linearity checks in steps 35 through 41 using the RCU to input the voltage magnitude.		
56	Are the RCU instigated voltages linear?	58	57
57	Check the RCU output, the interconnecting circuits on the Mother Assembly, and the input gates U1 through U11. Repair as required then repeat the test starting at step 55.		
58	The test of the Reference Assembly is now complete. If any component was replaced or an adjustment changed a calibration procedure should be performed.		

Table 4-17. STANDARD INSIDE THE GUARD REGULATOR VOLTAGES (Regulator Subassembly)

VOLTAGE AND TOLERANCE	EXTENDER TEST POINTS		LOAD ACROSS EXTENDER TEST POINTS		LOAD VALUE	RIPPLE PEAK TO PEAK		CHANGE IN VOLTAGE NO LOAD to LOAD	CHANGE IN VOLTAGE FOR $\pm 10\%$ LINE VARIATION	
	HI	LO				NO LOAD	LOAD		NO LOAD	LOAD
+15 ± 0.5	57	51	58	52	150 Ω	< 1 mV	< 5 mV	< -30 mV	< 5 mV	< 10 mV
-15 ± 1.0	59	51	60	52	150 Ω	< 1 mV	< 5 mV	< -400 mV	< 10 mV	< 30 mV
-30 ± 1.0	53	51	54	52	270 Ω	< 2 mV	< 10 mV	< -100 mV	< 10 mV	< 40 mV
+30 ± 1.0	55	51	56	52	270 Ω	< 2 mV	< 10 mV	< -300 mV	< 10 mV	< 40 mV
+5 ± 0.25	67	51	70	66	10 Ω	< 1 mV	< 2 mV	< ± 10 mV	< 5 mV	< 10 mV

Table 4-18. FLOATING INSIDE THE GUARD REGULATOR VOLTAGES (Regulator Subassembly)

VOLTAGE AND TOLERANCE	EXTENDER TEST POINTS		LOAD ACROSS EXTENDER TEST POINTS		LOAD VALUE	RIPPLE PEAK TO PEAK		CHANGE IN VOLTAGE NO LOAD to LOAD	CHANGE IN VOLTAGE FOR $\pm 10\%$ LINE VARIATION	
	HI	LO				NO LOAD	LOAD		NO LOAD	LOAD
+6.955 ± 0.005	38	43	N/A	N/A	N/A	< 20 mV	N/A	N/A	< 5 mV	N/A
+20 ± 0.25	39	43	39	43	270 Ω	< 50 mV	< 50 mV	< ± 200 mV	< 100 mV	< 400 mV
+15 ± 0.1	34	43	33	44	150 Ω	< 5 mV	< 5 mV	< ± 100 mV	< 5 mV	< 5 mV
-15 ± 0.5	35	43	36	44	150 Ω	< 10 mV	< 15 mV	< ± 200 mV	< 5 mV	< 10 mV

Table 4-19. OUTSIDE THE GUARD REGULATOR VOLTAGES (Power Supply Subassembly)

VOLTAGE AND TOLERANCE	EXTENDER TEST POINTS		LOAD ACROSS EXTENDER TEST POINTS		LOAD VALUE	RIPPLE PEAK TO PEAK		CHANGE IN VOLTAGE NO LOAD to LOAD	CHANGE IN VOLTAGE FOR $\pm 10\%$ LINE VARIATION	
	HI	LO				NO LOAD	LOAD		NO LOAD	LOAD
+ 5 $\pm 0.5V$	42	3	41	4	10 Ω	< 1 mV	< 1 mV	< ± 50 mV	< 1 mV	< 1 mV
+15 $\pm 1.0V$	5	3	6	4	270 Ω	< 10 mV	< 30 mV	< ± 300 mV	< 300 mV	< 300 mV
-15 $\pm 1.0V$	1	3	2	4	270 Ω	< 5 mA	< 20 mV	< ± 500 mV	< 100 mV	< 300 mV

Table 4-20. POWER SUPPLY R6 REPLACEMENT VALUES

If Reading is Between Vdc	Verify or Install Value of R6 in K Ohms	Fluke Part Number	If Reading is Between Vdc	Verify or Install Value of R6 In K Ohms	Fluke Part Number
6.80 - 6.86	1.65	293662	7.16 - 7.22	2.00	235226
6.87 - 6.93	1.74	344358	7.23 - 7.29	2.10	168237
6.94 - 7.01	1.82	293670	7.30 - 7.36	2.15	293712
7.02 - 7.08	1.87	267229	7.37 - 7.43	2.21	347476
7.09 - 7.15	1.91	236877	7.44 - 7.50	2.32	260315

Table 4-21. ATTENUATOR OUTPUT AND SENSE SIGNAL PATHS-OPERATE MODE.

RANGE	SM TYR	INPUT	100 Hz + 1 kHz	10 kHz + 100 kHz	1 MHz	OUTPUT			
1000V	OH	J33	K34 → K3A			R J32			
	OL		K31B						
	SH	R J32	K3B → K32			W4 → P52			
	SL		K31A						
100V	OH	J33	K1			F W1 → P30 R W2 → J31			
	OL		W3B						
	SH	F P30-W1-W2 R J31	R8 → R9 → K27			W4 → P52			
	SL		R10 → R9						
10V	OH	J33	K1			F W1 → P30 R W2 → J31			
	OL		W3B						
	SH	F P30 → W1 R J31 → W2	K8 → K10A → T1P → K10B → K32	K8 → K12B → T2P → K12A → K32	K8 → K14B → T3P → K14A → K32	W4 → P52			
	SL	F P30-W1-W2 R J31	K29 → K33 → T1P	K29 → K33 → T2P	K29 → T3P				
1V	OH	J33	K34 → K4 → T1P → T1S → K15 → K2	K34 → K5 → T2P → T2S → K19 → K2	K34 → K6 → T3P → T3S → K23 → K2	F W1 → P30 R W2 → J31			
	OL		K28 → K33 → T1P → T1S → W3B	K28 → K33 → T2P → T2S → W3B	K28 → T3P → T3S → W3B				
	SH	F P30 → W1 R J31 → W2	K8 → K7 → K32			W4 → P52			
	SL	F P30 → W1 → W2 R J31							
100 mV	OH	J33	K34 → K4 → T1P → T1S	K16 → K2	K34 → K5 → T2P → T2S	K20 → K2	K34 → K6 → T3P → T3S	K24A → K2	F W1 → P30 R W2 → J31
10 mV	OL		K17 → K2	K21 → K2	K22 → K2	K25A → K2	K26 → K2		
1 mV	SH		K18 → K2						
ALL mV	SH	3	T1S → K9 → K32	T2S → K11 → K32	T3S → L1 + L2 → K13 → K32	W4 → P52			
	SL	F P30-W1-W2 R J31	T1S → K9 → K32						

- 1000V Range is used only in conjunction with 5205A Power Amplifier.
- W3F K24B Parallels W3B in the 100 mV range, W3D K25B parallels W3B in the 10 mV Range.
- Internal sensing only on mV Ranges, sense HIGH from Xfmr secondaries, sense LOW from A3K3.

Note that A3K3 also ties sense and output high together behind the front terminals, but the sense HIGH signal path from front or rear terminals is not connected to W4.

OH = OUTPUT HIGH F = FRONT W = CABLE TnP = XFMR PRIMARY
 OL = OUTPUT LOW R = REAR K = RELAY TnS = XFMR SECONDARY
 SH = SENSE HIGH P = PLUG R = RESISTOR
 SL = SENSE LOW J = JACK

Table 4-22. POWER AMP AND ATTENUATOR OUTPUT AND SUBSTITUTE SENSE SIGNAL PATHS—STANDBY MODE

RANGE	INPUT	SIG TYPE	100 Hz & 1 kHz	10k / 100k	1 MHz	OUTPUT	SIG TYPE
ALL VOLTS + MV	J33	PAOH	K34 → K4 → T1P → T1S → K9	K34 → K5 → T2P → T2S → K11	K34 → K6 → T3P → T3S → L1 + L2 → K13	K34 → K4 → P52	SSH
		PAOL	T1S → K28 → K33 → T1P	T2S → K28 → K33 → T2P	T3S → K28 → T3P	K29 → W4 → P52	SSL

Note: K1, K2, K8, & K27 open during standby disconnecting output & sense high signal paths from the front and rear of A6, output & sense low signal paths remain connected to front and rear of A6 during STANDBY.

PAOH = POWER AMPLIFIER A7 OUTPUT HIGH P = PLUG TS = XFMR SECONDARY
 PAOL = POWER AMPLIFIER A7 OUTPUT LOW J = JACK
 SSH = SUBSTITUTE SENSE HIGH K = RELAY
 SSL = SUBSTITUTE SENSE LOW TP = XFMR PRIMARY

Table 4-23. ATTENUATOR MODE AND VOLTAGE RANGE LOGIC INPUTS AND OUTPUTS.

P30 PINS		34	38	40	36	0	1	2	3	4	5	6	7	U10 OUTPUT LOGIC									
U10 PINS		12	13	14	15	1	2	3	4	5	6	7	9	U10 PINS									
MODE	RANGE	STD By	R4	R2	R1	H	G	F	LOGIC LINES				D	E	F	G	H	K	L	M	N	D	
OPER.	1 mV	0	1	1	0	1	1	1	1	1	1	0	1	1	1	0	0	0	0	0	0	1	0
	10 mV	0	1	0	1	1	1	1	1	1	0	1	1	1	1	0	0	0	0	0	1	0	0
	100 mV	0	1	0	0	1	1	1	1	0	1	1	1	1	1	0	0	0	0	1	0	0	0
	1 V	0	0	1	1	1	1	1	0	1	1	1	1	1	1	0	1	0	0	0	0	0	1
	10 V	0	0	1	0	1	1	0	1	1	1	1	1	1	1	0	0	1	0	0	0	0	1
	100V	0	0	0	1	1	0	1	1	1	1	1	1	1	1	0	0	0	1	0	0	0	1
	1000V	0	0	0	0	0	1	1	1	1	1	1	1	1	1	0	0	0	1	0	0	0	1
STDBY	AN μ	1	X	X	X	1	1	1	1	1	1	1	1	1	1	1	0	0	0	0	0	0	0
OPER	NON-LEGAL	0	1	1	1	1	1	1	1	1	1	1	0	1	1	0	0	0	0	0	0	1	0
STDBY		1	1	1	1	1	1	1	1	1	1	1	0	1	1	0	0	0	0	0	0	1	0

1 = TRUE = HIGH = +2.0 to +5.0 Volts or Open Circuit

0 = FALSE = LOW = 0.0 to +0.8 Volts

USE P30 PIN 81 AS COMMON

Table 4-24. ATTENUATOR FREQUENCY RANGE LOGIC.

P30 PINS	42	52	50	A6 LOGIC		
FREQ RANGE	R4	R2	R1	A	B	C
100 Hz	1	1	1	1	0	0
1 kHz	1	1	0	1	0	0
10 kHz	1	0	1	0	1	0
100 kHz	1	0	0	0	1	0
1 MHz	0	1	1	0	0	1

1 = TRUE = High = +2.0 to +5.0V or Open Circuit

0 = FALSE = Low = 0.0 to +0.8 Volts

A = 100 Hz or 1 kHz

B = 10 kHz or 100 kHz

C = 1 MHz

NOTE: FREQ RNG 1 enters A6 on P20 PIN 50 but is not used on this PCB.

Use P30 Pin 81 as common.

1 = TRUE = High = +2.0V to +5.0Volts dc or Open Circuit

0 = FALSE = Low = 0.0 to +0.8V dc.

Table 4-25. AC—DC CONVERTER BUFFER AMPLIFIER TEST POINTS

NOTE: All voltage figures are typical. The AC figures are given as 1 volt rms less a percentage figure. With an AC Differential Voltmeter set at 1 volt rms (in the Null Mode) the reading can be made directly from the meter.

Test Points	DC	AC	Test Points	DC	AC
CR1 Cathode	+18.6V		Q5 Collector	+1.6V	7Vrms - 0.055%
CR4 Cathode	+14.3V		Q10 Collector	-0.7V	1Vrms - 0.1%
CR5 Anode	+7.0V	1Vrms - 1.42%	CR7 Cathode	-8.2V	
CR3 Cathode	+8.2V	1Vrms - 0.85%	C23 (+)	0 ± 4mV	1Vrms - 0.1%
CR3 Anode	0 ± 0.02V	1Vrms - 0.85%	R5/C3	0 ± 0.5V	1Vrms - 0.05%
CR2 Cathode	+13.1V	1Vrms - 1.0%	U4 pin 6	+0.13V	
Q8 Basa	+14.14V	1Vrms - 0.8%	U4 pin 2	0 ± 100μV	
Q8 Collector	+5.8V	1Vrms - 1.4%	U4 pin 3	0 ± 100μV	

Table 4-26. OSCILLATOR CONTROL ASSEMBLY TEST POINTS

TEST POINT	A10 OSCILLATOR INSTALLED AND UNIT OSCILLATING		A10 OSCILLATOR REMOVED OR UNIT NOT OSCILLATING
	(1.2V on 1VR)	(.1V on 1VR)	
TP7	-12V dc	-1V dc	-15V dc
Emitter Q2	+1.2V dc		-0.12V dc
Emitter Q3	+0.55V dc		-0.55V dc
Cathode CR78	+0.9V dc	-7 mV dc	-1.57V dc
TP5	0 ± 10 mV dc		-1.1V dc
Source Q5/Q6	+1.3V dc		+0.86V dc
Base Q7	+8.5V dc		+8.4V dc
Base Q8	+0.74V dc		+9.12V dc
TP6	0 ± 0.5V dc		+8.5V dc
Collector Q11	1.2V p-p pulses		+0.6V dc
Collector Q12	1.2V p-p pulses		-0.6V dc

Table 4-27. OSCILLATOR CONTROL ASSEMBLY HI-FREQ. ROLLOFF COMPENSATOR CHECKS

TEST POINT	A10 OSCILLATOR INSTALLED AND UNIT OSCILLATING @ 1 kHz	A10 OSCILLATOR REMOVED OR UNIT NOT OSCILLATING
U3 pin 14	+0.2V dc	+66 mV dc
Base Q18	0 ± 10 mV dc	+ 0.2 V dc
Base Q26	+11.4V dc	+11.5 V dc
Collector Q26	+4.8V dc	+4.98 V dc
Emitter Q18	-0.66V dc	-0.87 V dc
Emitter Q27	-0.66V dc	-0.66 V dc

Table 4-28. OSCILLATOR CONTROL FREQUENCY RANGE TEST POINTS

MNEMONIC	TEST POINT (X @ EXTENDER) PIN	FREQUENCY RANGE SELECTED				
		100 Hz	1 kHz	10 kHz	100 kHz	1 MHz
FREQ RNG 1	X-25	High	Low	High	Low	High
FREQ RNG 2	X-27	High	High	Low	Low	High
FREQ RNG 4	X-29	High	High	High	High	Low
10 kHz	U4-8	High	High	Low	High	High
1 kHz + 100 Hz	U4-11	Low	Low	High	High	High
100 Hz	U5-9	Low	High*	High*	High*	High*
1 kHz	U5-7	High*	Low	High*	High*	High*
10 kHz	U5-6	High*	High*	Low	High*	High*
100 kHz	U5-5	Floating	Floating	Floating	Low	High*
1 MHz	U5-4	Floating	Floating	Floating	Floating	Low
1 MHz Drive	X-50	Low	Low	Low	Low	High
100 Hz Drive	X-56	Low	High	High	High	High
100 Hz	X-54	Floating	Low	Low	Low	Low
A	Q14 Collector	+6.7V dc	-13.5V dc	-13.5Vdc	-13.5Vdc	-13.5Vdc
B	Q15 Collector	-13.5Vdc	+6.7Vdc	13.5V dc	-13.5Vdc	-13.5Vdc
C	Q16 Collector	-13.5Vdc	-13.5Vdc	+6.7Vdc	-13.5Vdc	-13.5Vdc
D	Q25 Collector	+6.7Vdc	+6.7Vdc	+6.7Vdc	+6.7Vdc	-11.5Vdc

High - Logic level is +2 to +5 Volts dc

High* - Logic level is near +15 Volts dc from the relay circuits

Low - Logic level is 0 to +0.8 Volts dc

Floating - Some undetermined voltage, varying with the test instrument used, but typically near 1 Volt.

It results from the open collector outputs of the decoder.

Table 4-29. OSCILLATOR ASSEMBLY FREQUENCY MAGNITUDE SWITCH LOGIC

FRONT PANEL SWITCH SETTINGS					SCHEMATIC LOGIC LINES															
					B	C	D	E	F	G	H	J	K	L	M	N	P	Q	R	S
-	1	0	0	0	L	L	L	H	L	L	L	L	L	L	L	L	L	L		
-	1	1	1	1	L	L	L	H	L	L	L	H	L	L	L	H	L	L	H	
-	2	2	2	2	H	L	L	L	L	L	H	L	L	L	H	L	L	L	H	L
-	3	3	3	3	H	L	L	H	L	L	H	H	L	L	H	H	L	L	H	H
-	4	4	4	4	L	H	L	L	L	H	L	L	L	H	L	L	L	H	LL	L
-	5	5	5	5	L	H	L	H	L	H	L	H	L	H	L	H	L	H	L	H
	6	6	6	6	H	H	L	L	L	H	H	L	L	H	H	L	L	H	H	L
	7	7	7	7	H	H	L	H	L	H	H	H	L	H	H	H	L	H	H	H
	8	8	8	8	L	H	H	L	H	L	L	L	H	L	L	L	H	L	L	L
	9	9	9	9	L	H	H	H	H	L	L	H	H	L	L	H	H	L	L	H
1	0	0	0	0	H	H	H	L	L	L	L	L	L	L	L	L	L	L	L	L
1	1	9	9	9	H	H	H	H	H	L	L	H	H	L	L	H	H	L	L	H

H = High = True = 0V = FET ON

L - Low = False = -15V = FET OFF

Section 5

Lists of Replaceable Parts

TABLE OF CONTENTS

TITLE	TABLE NO.	PAGE NO.	FIGURE NO.	PAGE NO.
5200A Final Assembly	5-1	5-3	5-1	5-4
A2 Motherboard PCB Assembly	5-2	5-10	5-2	5-10
A3 Switch PCB Assembly	5-3	5-11	5-3	5-13
A5 Power Supply Mother PCB Assembly	5-4	5-14	5-4a	5-18
A5A1 Power Supply PCB Subassembly	5-5	5-15	5-4b	5-18
A5A2 Regulator PCB Subassembly	5-6	5-16	5-4c	5-19
A5A3 Transformer PCB Subassembly	5-7	5-17	5-4d	5-19
A6 Attenuator PCB Assembly	5-8	5-20	5-5	5-21
A7 Power Amplifier PCB Assembly	5-9	5-22	5-6	5-25
A8 AC-DC Converter PCB Assembly	5-10	5-26	5-7	5-28
A8A3 Rectifier Output Circuit Assembly	5-11	5-29	—	—
A9 Oscillator Control PCB Assembly	5-12	5-30	5-8	5-32
A10 Oscillator PCB Assembly	5-13	5-33	5-9	5-35
A12 Reference Supply PCB Assembly	5-14	5-36	5-10	5-38

5-1. INTRODUCTION

5-2. This section contains an illustrated parts breakdown of the instrument. Components are listed alphabetically by assembly. Electrical components are listed by reference designation and mechanical components are listed by item number. Each listed part is shown in an accompanying illustration.

5-3. The parts list tables include the following information.

- a. Reference Designation or Item Number
- b. Description of each part
- c. Fluke Stock Number
- d. Federal Supply Code for Manufacturers (See Appendix A for Code-to-Name list)
- e. Manufacturer's Part Number or Type
- f. Total Quantity per assembly or component
- g. Recommended Quantity: This entry indicates the recommended number of spare parts necessary to support one to five instruments for a period of two years. This list presumes an availability of common electronic parts at the maintenance site. For maintenance for one year or more at an isolated site, it is recommended that

at least one in each assembly in the instrument be stocked. In the case of optional subassemblies, plug-ins, etc. that are not always part of the instrument, or are deviations from the basic instrument model, the REC QTY column lists the recommended quantity of the item in that particular assembly.

5-4. HOW TO OBTAIN PARTS

5-5. Components may be ordered directly from the manufacturer by using the manufacturer's part number, or from the John Fluke Mfg. Co., Inc. factory or authorized representative by using the FLUKE STOCK NUMBER. In the event the part you order has been replaced by a new or improved part, the replacement will be accompanied by an explanatory note and, if necessary, installation instructions.

5-6. To ensure prompt and efficient handling of your order, include the following information:

- a. Quantity
- b. FLUKE Stock Number
- c. Description
- d. Reference Designation or Item Number
- e. Printer Circuit Board Part Number
- f. Instrument model and Serial Number

TABLE 5-1. 5200A FINAL ASSEMBLY
(SEE FIGURE 5-1.)

REFERENCE DESIGNATOR	FLUKE STOCK	MFRS SPLY	MANUFACTURERS PART NUMBER	TOT QTY	R S	N O
A->NUMERICS-----> S	---NO---	CODE--	---OR GENERIC TYPE---	QTY	-Q	-E
-----	-----	-----	-----	-----	-----	-----
A 2	396747	89536	396747	1		
A 3	396911	89536	396911	1		
A 5	332429	89536	332429	1		
A 6	396721	89536	396721	1		
A 7	396713	89536	396713	1		
A 8	401075	89536	401075	1		
A 9	396705	89536	396705	1		
A 10	396697	89536	396697	1		
A 12	332650	89536	332650	1		
B 1	255562	82877	WR2A1-027117	1		
E 1	100883	89536	100883	1		
E 2	190728	83330	21171	1		
F 1	109231	71400	MDX1R5	1	1	1
H 1	110510	73734	8009NP	22		
H 2	129957	78189	1220-05	22		
H 3	178533	89536	178533	6		
H 4	185918	89536	185918	14		
H 5	147611	89536	147611	5		
H 6	110403	89536	110403	5		
H 7	110288	89536	110288	6		
H 8	295105	89536	295105	4		
H 9	129890	73734	19022	29		
H 10	110775	89536	110775	5		
H 11	222406	83058	PC97476	7		
H 12	320093	89536	320093	12		
H 13	152165	89536	152165	4		
H 14	228890	89536	228890	36		
H 15	110775	89536	110775	2		
H 16	114124	89536	114124	3		
H 17	313056	89536	313056	1		
H 18	177030	89536	177030	4		
H 19	222406	93058	PC97476	13		
H 20	306233	89536	306233	20		
H 21	295105	89536	295105	4		
H 22	306159	89536	306159	20		
H 23	110544	89536	110544	2		
H 24	110320	89536	110320	2		
H 25	352872	70290	AN526C-R	4		
H 26	152124	73734	19024	2		
H 27	436386	86928	5607-45	6		
H 28	130021	89536	130021	6		
H 29	281196	89536	281196	11		
H 30	110569	89536	110569	1		
H 31	129841	89536	129841	2		
H 32	129866	89536	129866	1		
H 33	111310	89536	111310	2		
H 34	146290	89536	146290	2		
H 35	110718	73734	97335	1		
H 36	178533	89536	178533	2		
J 1	284166	82389	EAC301	1		
MP 1	426809	89536	426809	1		
MP 2	338715	89536	338715	2		
MP 3	338723	89536	338723	2		
MP 4	338731	89536	338731	2		
MP 5	338749	89536	338749	1		
MP 6	338756	89536	338756	1		
MP 7	350587	89536	350587	5		
MP 8	350595	89536	350595	3		
MP 9	335273	89536	335273	28		
MP 10	334359	89536	334359	8		
MP 11	334367	89536	334367	2		
MP 12	334375	89536	334375	1		
MP 13	334383	89536	334383	1		
MP 14	334391	89536	334391	3		
MP 15	334409	89536	334409	1		
MP 16	334417	89536	334417	1		
MP 17	334433	89536	334433	4		
MP 18	329482	89536	329482	1		
MP 19	337196	89536	337196	1		
MP 20	343376	89536	343376	1		
MP 21	341610	89536	341610	14		
MP 22	341719	89536	341719	1		
MP 23	341776	89536	341776	1		
MP 24	103218	89536	103218	6		

TABLE 5-1. 5200A FINAL ASSEMBLY (CONT.)
 (SEE FIGURE 5-1.)

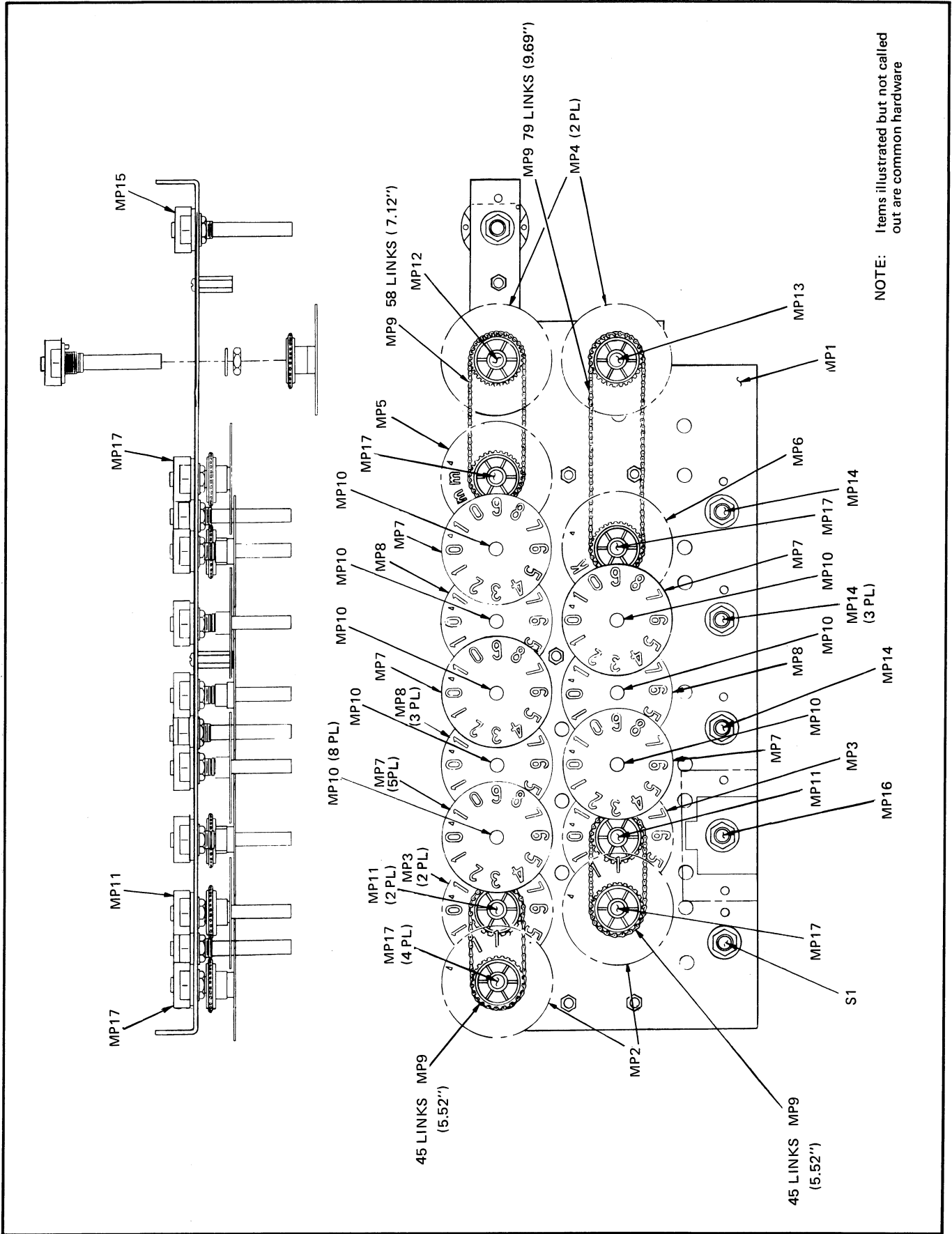
REFERENCE DESIGNATOR A->NUMERICS->	S	DESCRIPTION	FLUKE STOCK NO	MFRS SPLY CODE	MANUFACTURERS PART NUMBER OR GENERIC TYPE	TOT QTY	R S Q	N O T E
MP 25		CORNER HANDLE FRONT, 7 INCH	394320	89536	394320	2		
MP 26		BRACKET, CORNER ANGLE	351635	89536	351635	2		
MP 27		NAMEPLATE, .250X1.3, SERIAL NUMBER	393975	89536	393975	1		
MP 28		BULKHEAD, CENTRAL	329508	89536	329508	1		
MP 29		BUSHING, SNAP-IN, NYLON, 0.250 ID	102996	28520	SB-375-4	1		
MP 30		EXTENSION SHAFT, INSULATOR	349647	89536	349647	17		
MP 31		KNOB, POINTER-MOLDED	336081	89536	336081	3		
MP 32		KNOB, FOUR BAR-MOLDED	336099	89536	336099	2		
MP 33		KNOB, POINTER-MOLDED	341263	89536	341263	4		
MP 34		COVER, BOTTOM (PUTTY GRAY)	522383	89536	522383	1		3
MP 35		INSERT, NON SKID FOOT	302026	89536	302026	4		
MP 36		FOOT, BALL STAND	292870	89536	292870	4		
MP 37		CORNER HANDLE, REAR-7"	415349	89536	415349	2		
MP 38		KNOB, KNURLED-MOLDED	336073	89536	336073	9		2
MP 39		ASSY, PUTTY POINTER KNOB-GREEN DECAL	341339	89536	341339	1		
MP 40		SHIM, POWER SUPPLY	415026	89536	415026	3		
MP 41		CHASSIS, SIDE	329516	89536	329516	2		
MP 42		BULKHEAD, TRANSFORMER, RIGHT	329524	89536	329524	1		
MP 43		SHIELD, INSTRUMENT, BOTTOM	332015	89536	332015	1		
MP 44		PANEL, REAR	331934	89536	331934	1		
MP 45		POINTER	338780	89536	338780	1		
MP 46		CORNER ANGLE BRACKET-7	298166	89536	298166	2		
MP 47		PANEL, TRANSFORMER, REAR	331926	89536	331926	1		
MP 48		BRACKET, FILTER	349696	89536	349696	1		
MP 49		GROMMET, RUBBER	100073	83330	2149	1		
MP 50		GUIDE, RETAINER-PCB, BLACK	341164	89536	341164	1		
MP 51		BULKHEAD TRANSFORMER, LEFT PH 3	332254	89536	332254	1		
MP 52		GUIDE, RETAINER-PCB BROWN	331975	89536	331975	1		
MP 53		GUIDE, RETAINER-PCB, RED	339754	89536	339754	1		
MP 54		CABLE, F/1/4 IN CABLE, TYPE 78	101063	89536	101063	2		
MP 55		RUBBER, FOR 5/16 DIA HOLE, TYPE 1041	135269	89536	135269	1		
MP 56		CABLE TIE, 4"L, 0.100"W, 0.75 DIA	172080	89536	172080	5		
MP 57		CABLE TIE, CLAMP, 8"L, 1.75 DIA, #10 SCREW	104638	06383	SSC-2	1		
MP 58		GEAR, SWITCH SHAFT	154682	89536	154682	1		
MP 59		BRKT, READOUT	331991	89536	331991	1		
MP 60		DRUM, WINDUP & IDLER	416008	89536	416008	2		
MP 61		SHAFT, VERNIER	332072	89536	332072	1		
MP 62		SHAFT, DRUM	332080	89536	332080	2		
MP 63		O-RING, SYN RUBBER, 0.114 ID, 0.070 WIDE	146688	89536	146688	2		
MP 64		DRUM DRIVE, ASSY	350082	89536	350082	1		
MP 65		METAL TAPE, PRINTED (SELF COILING)	335547	89536	335547	1		
MP 66		O-RING, SYN RUBBER, 0.239 ID, 0.070 WIDE	178517	89536	178517	1		
MP 67		ANGLE, READOUT	415794	89536	415794	1		
MP 68	*	HOUSING ASSEMBLY, FAN	337667	89536	337667	1		
MP 69		INSERTER, RETAINER, PCB	400952	89536	400952	1	5	
MP 70		SHIELD, INSTRUMENT TOP	332007	89536	332007	1		
MP 71		CONNECTOR, COVER, RCU	356055	89536	356055	1		
MP 72		DECAL	370221	89536	370221	1		
MP 73		DECAL, HANDLE	295501	89536	295501	2		
MP 74		COVER, TOP (PUTTY GRAY)	522425	89536	522425	1		4
MP 75		DECAL, TOP COVER	356022	89536	356022	1		
MP 76		COVER, TRANSFORMER TOP	331918	89536	331918	1		
MP 77		DECAL, SIDE	525998	89536	525998	2		
MP 78		DECAL, CORNER	296277	89536	296277	2		
MP 79		CONNECTOR, COVER ATTENUATOR	356089	89536	356089	2		
MP 80		CONNECTOR, ATTENUATOR ASSY (NOT SHOWN)	337675	89536	337675	1		
MP 81		DECAL, FRONT CORNER (NOT SHOWN)	394403	89536	394403	2		
R 1		RES, VAR, WW, 100K, +-5%, 2W, BSH, MTG	331207	89536	331207	1		
S 1		SWITCH, ROTARY, AC LINE	403469	89536	403469	1		
W 1		HARNESS, POWER	412171	89536	412171	1		
W 2		CABLE ASSY, RF	353375	89536	353375	1		
W 3		CABLE ASSY, RF	353383	89536	353383	1		
W 4		CABLE ASSY, RF	353391	89536	353391	1		
W 5		CABLE, POWER	415059	89536	415059	1		
XF 1		HLDR, FUSE, 1/4 X 1-1/4, LOPROFILE, PNLMT	295741	89536	295741	1		
		RECOMMENDED SPARE PARTS KIT	344903					

NOTE 1 = ORDER P/N 109256 FOR 230V CONFIGURATIONS.

NOTE 2 = INCLUDES: 2 SCREW, SET, HEX P/N 115105

NOTE 3 = ORDER P/N 332114 FOR BLUE COVER, BOTTOM

NOTE 4 = ORDER P/N 332106 FOR BLUE COVER, BOTTOM



NOTE: Items illustrated but not called out are common hardware

Figure 5-1. 5200A Final Assembly

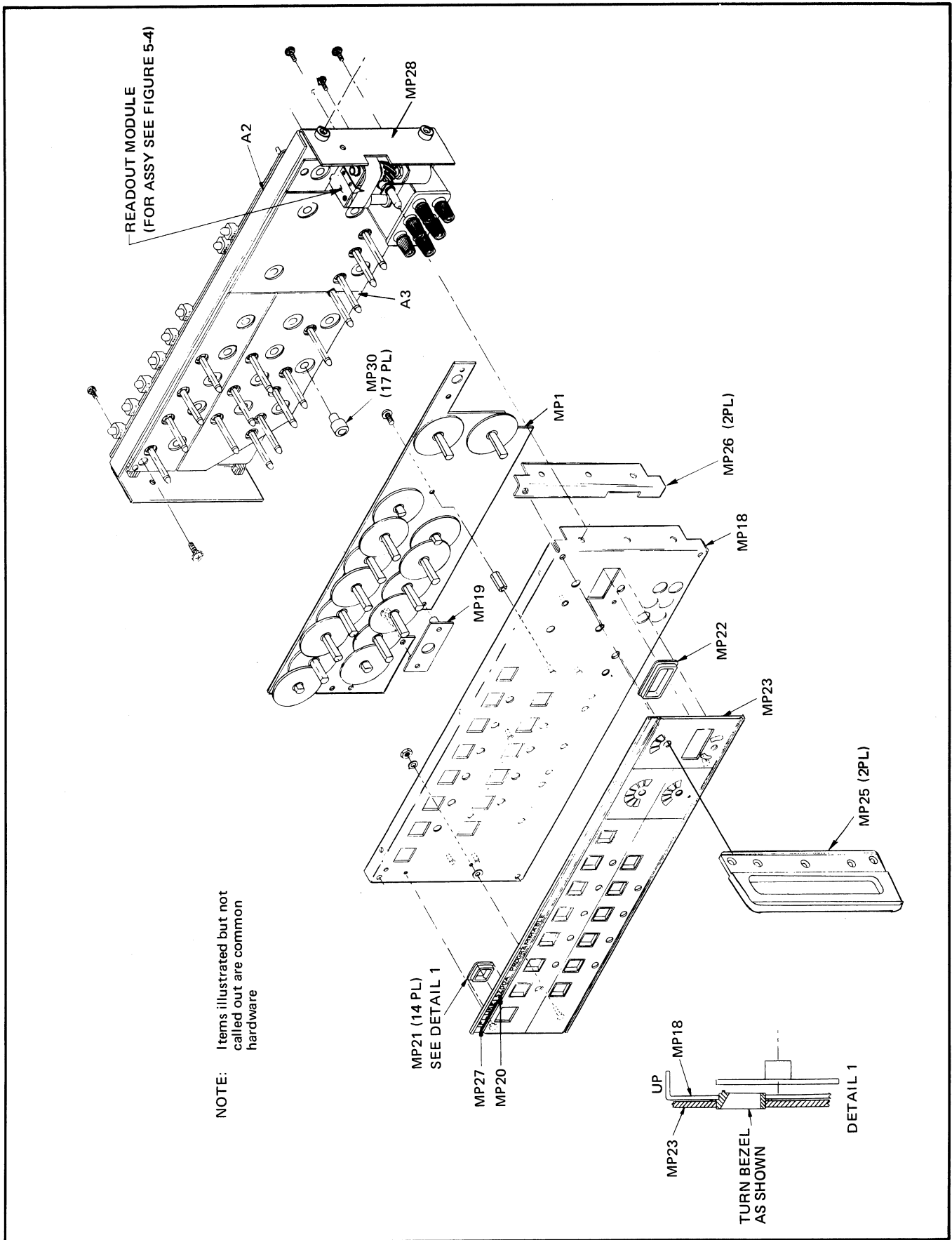


Figure 5-1. 5200A Final Assembly (cont)

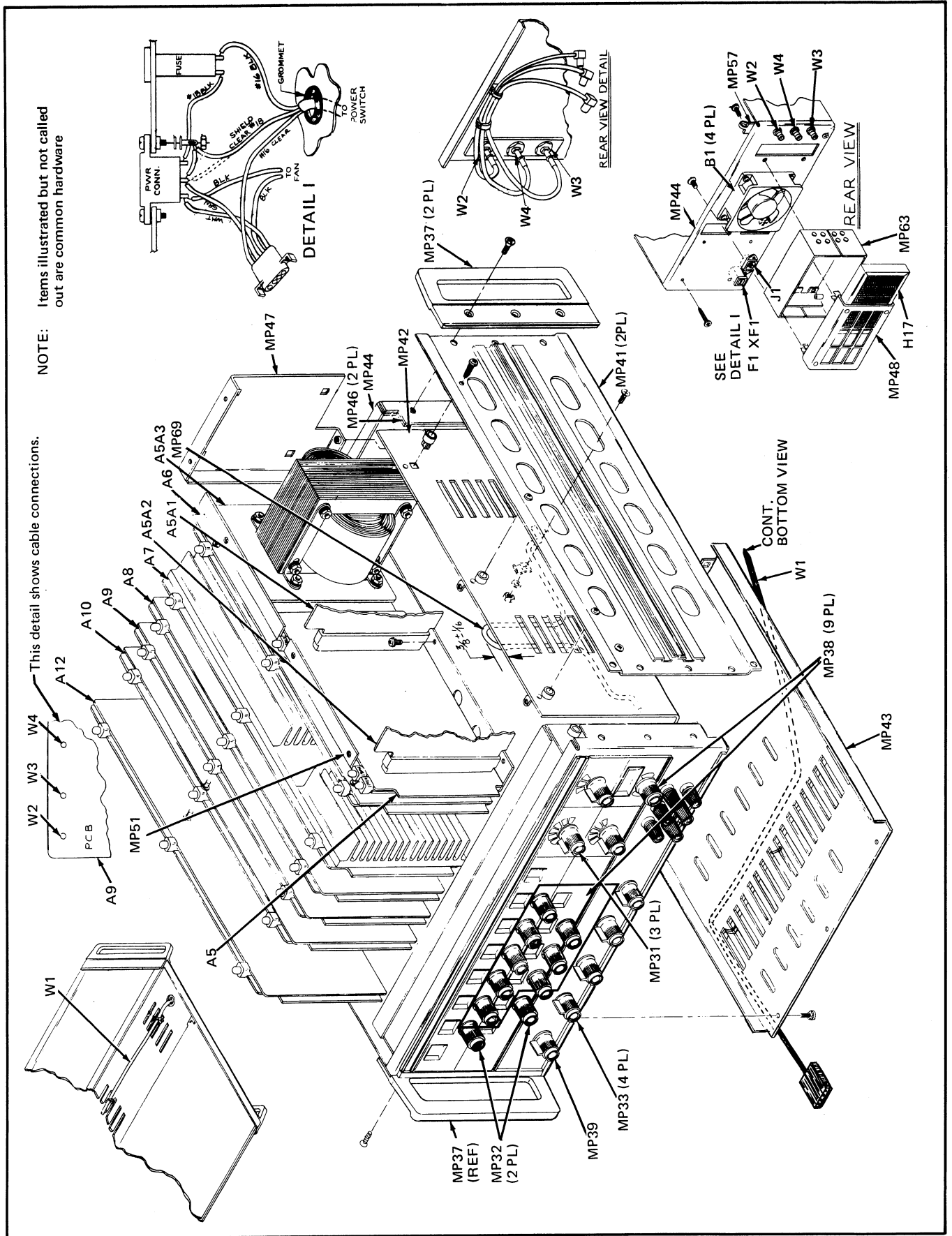


Figure 5-1. 5200A Final Assembly (cont)

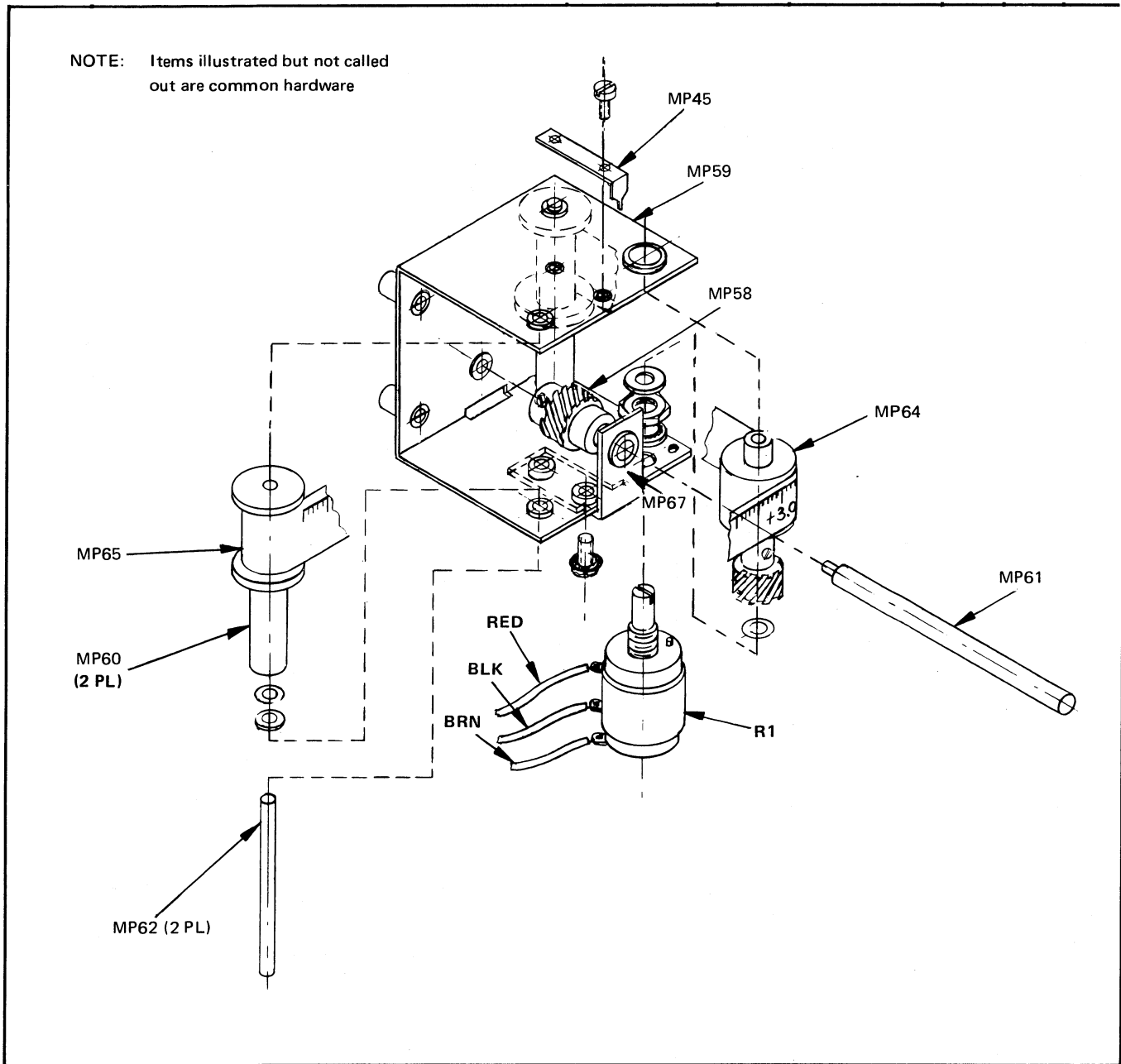


Figure 5-1. 5200A Final Assembly (cont)

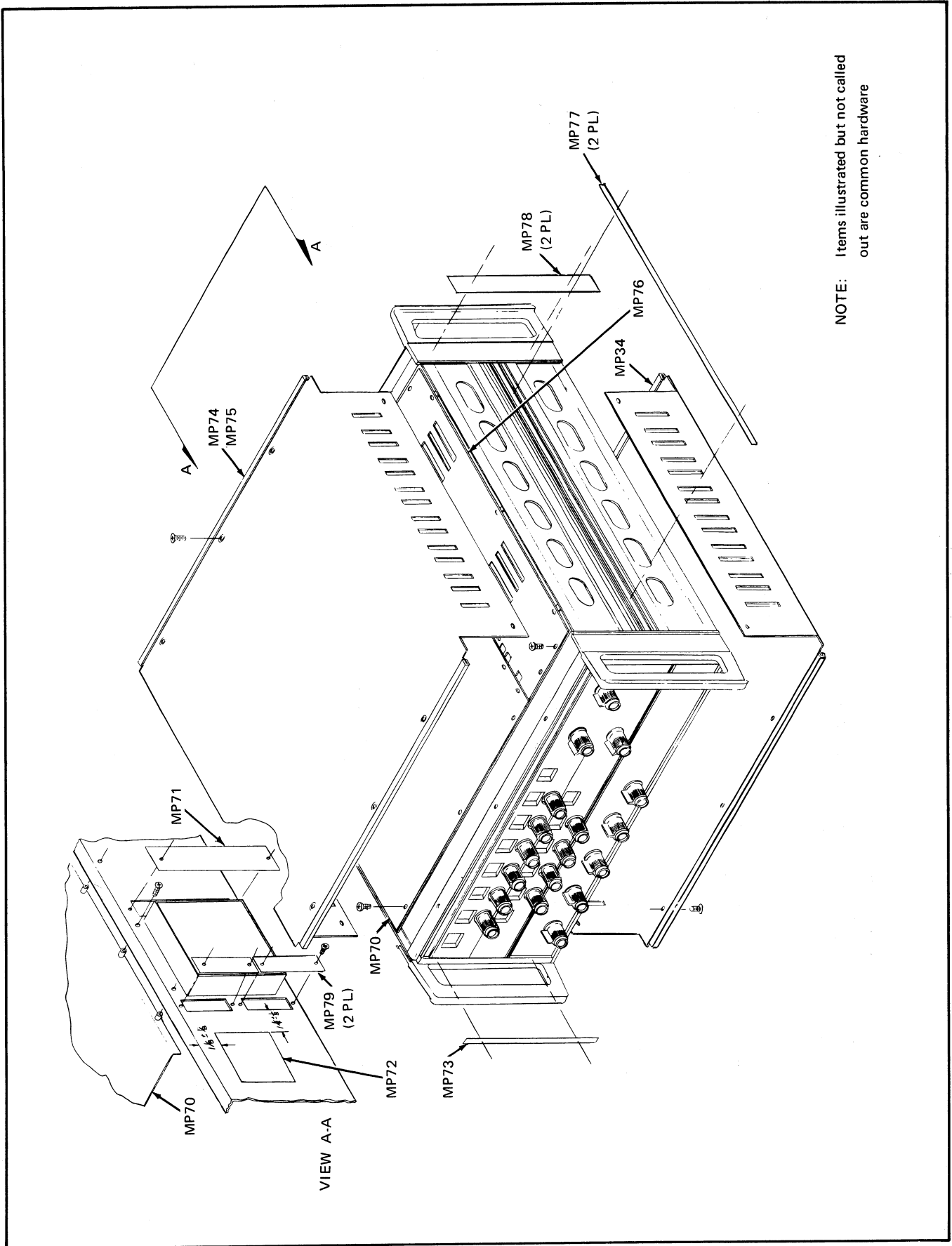


Figure 5-1. 5200A Final Assembly (cont)

TABLE 5-2. A2 MOTHERBOARD PCB ASSEMBLY
(SEE FIGURE 5-2.)

REFERENCE DESIGNATOR A->NUMERICS-->	S	DESCRIPTION	FLUKE STOCK --NO--	MFRS SFLY CODE--	MANUFACTURERS PART NUMBER --OR GENERIC TYPE--	TOT QTY	R S --Q	N O T E
H 1		SCREW, MACH, PHP SEMS, STL, 4--40X1/4	185918	89536	185918	8		
J 20, 30, 40,		CONN, PWB EDGE, REC, 0.100 CTR 86 POS	335281	89536	335281	8		
J 50, 60, 70,			335281					
J 80, 90			335281					
MP 1		GUIDE, RETAINER--PCB, RED	339754	89536	339754	1		
MP 2		GUIDE, RETAINER--PCB, ORANGE	341099	89536	341099	1		
MP 3		GUIDE, RETAINER--PCB YELLOW	341107	89536	341107	1		
MP 4		GUIDE, RETAINER--PCB, GREEN	341115	89536	341115	1		
MP 5		GUIDE, RETAINER--PCB, BLUE	341123	89536	341123	1		
MP 6		GUIDE, RETAINER--PCB VIOLET	341131	89536	341131	1		
MP 7		GUIDE, RETAINER--PCB GRAY	341149	89536	341149	1		
MP 8		GUIDE, RETAINER--PCB, WHITE	341156	89536	341156	1		
MP 9		SPACER, SWAGED, RND, BRASS, 4--40X0.187	335604	89536	335604	8		
P		PIN, SINGLE, PWB, 0.025 SQ	267633	00779	86144-1	83		1
TP 1, 2		TERM, UNINSUL, FEEDTHRU, HOLE, TURRET	179283	88245	2010B-5	2		

NOTE 1 = 1A-5A, 1B-21B, 1C-18C, 1D-12D, 1E-4E, 1F-4F, 1H, 3H, 4H, 6H, 20H, 1K

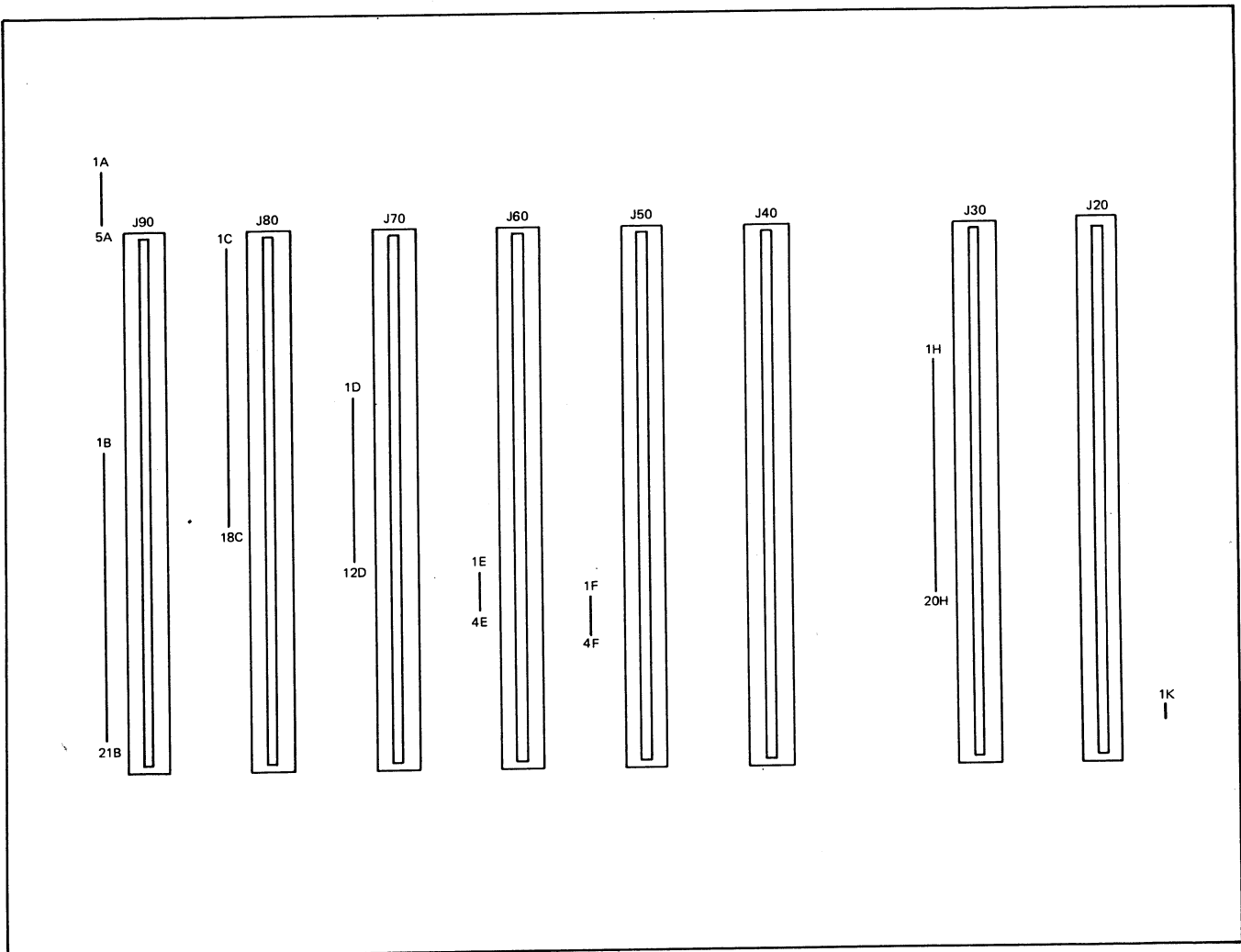


Figure 5-2. A2 Motherboard PCB Assembly

TABLE 5-3. A3 SWITCH PCB ASSEMBLY
(SEE FIGURE 5-3.)

REFERENCE DESIGNATOR A->NUMERICS----->	S	DESCRIPTION	FLUKE STOCK ---NO---	MFRS SPLY CODE--	MANUFACTURERS PART NUMBER ---OR GENERIC TYPE---	TOT QTY	R S -Q	N O T -E
C	1	CAP, TA, 1UF, +-10%, 35V	161919	56289	196D010X0035G	1		
C	2	CAP, TA, 48UF, +-20%, 15V	193615	56289	196D686X0015LA3	1	1	
C	3	CAP, TA, 0.22UF, +-20%, 35V	161331	56289	196D224X0035HA1	1		
C	4, 8	CAP, TA, 2.2UF, +-20%, 20V	161927	56289	196D225X0020HA1	2		
C	5	CAP, POLYES, 0.022UF, +-10%, 250V	234484	73445	C280MAE/A22K	1		
C	6, 7	CAP, GER, 0.05UF, +-20%, 100V, 25V	149161	56289	55C23A1	2		
CR	1-- 8, 10--	* DIODE, SI, BV= 75.0V, IO=150MA, 500 MW	203323	07910	1N4448	24		
CR	21, 38, 39,	* DIODE, GER, BV=100.0V, IO= 80MA, 80 MW	203323					
CR	46, 47	* DIODE, GER, BV=100.0V, IO= 80MA, 80 MW	149187	93332	1N270	7		
CR	40, 41, 43--	* DIODE, SI, BV= 20.0V, IO= 50MA, SELCTD IR	149187					
CR	45, 48, 49	* DIODE, SI, BV= 20.0V, IO= 50MA, SELCTD IR	348177	07263	FD7223	1		2
CR	42	BINDING POST, BRASS, 6-32, LEXAN, GN	275586	89536	275586	1		
E	1	BINDING POST, BRASS, 6-32, LEXAN, RD	275552	32767	820-65	2		
E	2, 3	BINDING POST, BRASS, 6-32, LEXAN, RD	275578	32767	820-55	1		
E	4	BINDING POST, BRASS, 6-32, LEXAN, BL	275560	32767	820-45	2		
E	5, 6	BINDING POST, BRASS, 6-32, LEXAN, BK	385401	89536	385401	2		
H	1	SCREW, MACH, PHP, S. STL, 6-32X1/4	110270	89536	110270	2		
H	2	WASHER, FLAT, STEEL, #6, 0.031 THK	178533	89536	178533	21		
H	3	SCREW, MACH, PHP SEMS, STL, 6-32X1/4	185918	89536	185918	4		
H	4	SCREW, MACH, PHP SEMS, STL, 4-40X1/4	110403	89536	110403	34		
H	5	WASHER, LOCK, INTRNL, STEEL, #4	267476	00779	85861-2	83		1
J		SOCKET, SINGLE, PWB, FOR 0.025 PIN	340364	89536	340364	2	1	
K	1, 2	RELAY, REED, 1 FORM A, 5VDC	340638	71482	MRB2A05	1		
K	3	RELAY, REED, 2 FORM A, 5VDC	147819	72259	WEE1000	1		
L	1	INDUCTOR, 1000 UH +/-5%, 4.5 MHZ, SHLDED	284380	89536	284380	21		
MF	1	SPACER, SWAGED, RND, BRASS, 6-32X0.500	298828	89536	298828	1		
MF	1	INSULATOR, BINDING POST	331967	89536	331967	1		
MF	2	BRKT, BINDING POST	335596	89536	335596	4		
MF	2	SPACER, SWAGED, RND, BRASS, 4-40X0.125	337204	89536	337204	2		
MF	3	PLATE, SWITCH MTG #1	435578	89536	435578	1		
MF	3	SPACER, SWAGED, RND, BRASS, 6-32X0.125	337212	89536	337212	1		
MF	4	PLATE, SWITCH MTG #2	337220	89536	337220	1		
MF	5	PLATE, SWITCH MTG #3	337238	89536	337238	1		
MF	6	PLATE, SWITCH MTG #4	103796	95998	5/16-3NA	2		
MF	7	CABLE CLAMP	195974	64713	2N3906	1		1
Q	1	* TRANSISTOR, SI, PNP, SMALL SIGNAL	218396	04713	2N3904	1		1
Q	2	* TRANSISTOR, SI, NPN, SMALL SIGNAL	348839	80031	CR251-4-5P10K	12		
R	1-- 6, 8,	RES, CF, 10K, +-5%, 0.25W	348839					
R	9, 29, 31--	RES, CF, 15K, +-5%, 0.25W	348854	80031	CR251-4-5P15K	1		
R	33	RES, CF, 470, +-5%, 0.25W	343434	80031	CR251-4-5P470E	2	1	
R	5	RES, CF, 470, +-5%, 0.25W	348789	80031	CR251-4-5P270E	8		5
R	7, 28	RES, CF, 270, +-5%, 0.25W	348789					
R	10, 12-- 14,	RES, CF, 1K, +-5%, 0.25W	343426	80031	CR251-4-5P1K	4		
R	17-- 20	RES, CF, 6.2K, +-5%, 0.25W	442368	80031	CR251-4-5P6K2	2		
R	11, 16, 22,	RES, CF, 5.1K, +-5%, 0.25W	368712	80031	CR251-4-5P5K1	1		
R	26	RES, CF, 68, +-5%, 0.25W	414532	80031	CR251-4-5P68E	2		
R	23, 24	ROTARY SWITCH SECT ASSY BCD 1-11	334284	89536	334284	1		
R	25	ROTARY SWITCH SECT ASSY BCD 0-9	334268	89536	334268	4		1
R	27, 36	ROTARY SWITCH SECT ASSY.BCD 9-0	334276	89536	334276	5		
S	1	SWITCH, ROTARY VOLTAGE--RANGE	352948	89536	352948	1		
S	2, 3, 4,	ROTARY SWITCH ASSY VOLTAGE ERROR	334334	89536	334334	1		
S	5	SWITCH-BCD-11-1 SECTION ASSY OAK ROT.	386946	89536	386946	1		
S	6, 10, 11,	ROTARY SWITCH SECT ASSY, MODE CONT.	334342	89536	334342	1		
S	12, 13	ROTARY SWITCH SECT ASSY SENSE PH-LK	334326	89536	334326	3		
S	7	* IC, TTL, QUAD 2 INPUT NAND BUFFER	296228	01295	SN7437N	4		
S	8	* IC, TTL, HEX INVERTER W/OPEN COLLECTOR	288605	01295	SN7416N	1		1
S	9	* IC, TTL, BCD-DECIMAL 4-10 LINE DECODER	293175	01295	SN74145N	2		1
S	14	* IC, TTL, 4BIT EXCLUSIVE-NOR COMPARATOR	18324	89536	N8442N	1		
S	15, 16, 17	* IC, TTL, 4BIT LATCH, D OR R/S LTCH MODES	293241	34335	9314CF	1		1
U	1, 2, 6,	* IC, TTL, QUAD 2 INPUT NAND GATE	292953	01295	SN7400N	1		1
U	12	* IC, TTL, RTRGRBLE MONOSTABLE MULTIVBRTR	293134	04713	MC8601P	1		1
U	3	* IC, TTL, HEX INVERTER W/SCHMT TRIG	354886	01295	SN7414N	1		1
U	4, 5	ASSY, CABLE, OUTPUT	405159	89536	405159	1		
U	7	ASSY, WIRE	353615	89536	353615	1		
U	8	ASSY, WIRE	353607	89536	353607	1		
U	9	ASSY, WIRE	353342	89536	353342	2		
U	10	ASSY, WIRE	353334	89536	353334	2		
U	11	ASSY, WIRE	345975	89536	345975	9		
W	1	* L.E.D. STANDOFF						
W	2							
W	3							
W	4, 7							
W	5, 6							
XCR	22-- 28, 33,							

TABLE 5-3. A3 SWITCH PCB ASSEMBLY (CONT.)
(SEE FIGURE 5-3.)

REFERENCE DESIGNATOR A->NUMERICS->>	S	DESCRIPTION	FLUKE STOCK NO	MFRS SPLY CODE	MANUFACTURERS PART NUMBER OR GENERIC TYPE	TOT QTY	R S Q	N O T E
XCR 37	*		345975					
XCR 29- 32, 34-	*	L.E.D. STANDOFF	345983	89536	345983	7		
XCR 36	*		345983					
XU 1- 3, 6-		SOCKET, IC, 14 PIN	276527	09922	DILB8P-108	7		
XU 10			276527					
XU 4, 5, 8		SOCKET, IC, 16 PIN	276535	91506	316-AG39D	3		

NOTE 1 = 1A-5A, 1B-21B, 1C-18C, 1D-12D, 1E-4E, 1F-4F, H

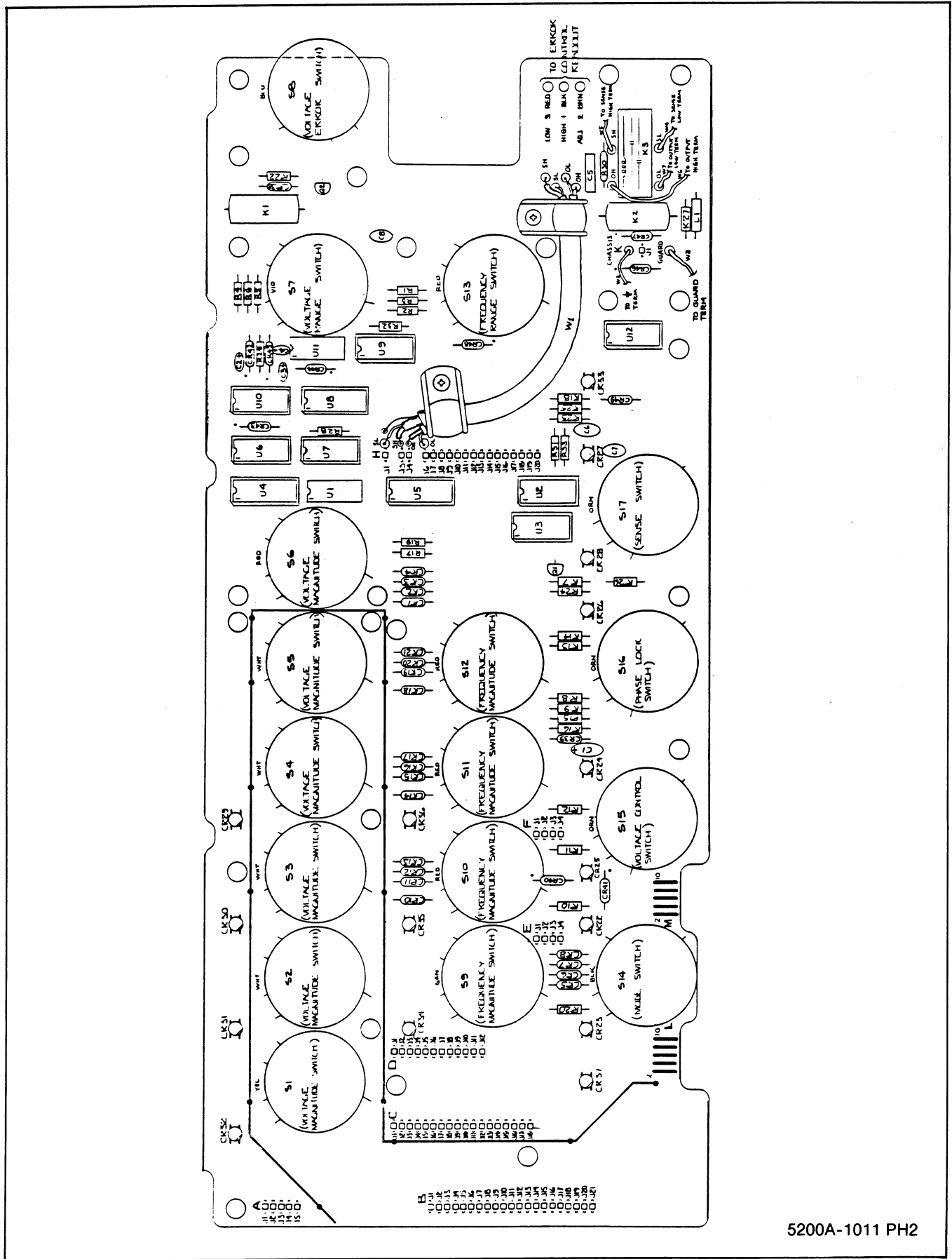


Figure 5-3. A3 Switch PCB Assembly

5200A-1011 PH2

TABLE 5-4. A5 POWER SUPPLY MOTHER PCB ASSEMBLY
(SEE FIGURE 5-4A.)

REFERENCE DESIGNATOR A->NUMERICS----->	S	-----DESCRIPTION-----	FLUKE STOCK ---NO---	MFRS SPLY CODE--	MANUFACTURERS PART NUMBER ---OR GENERIC TYPE---	TOT QTY	R S -Q	N O T -E
A	1	POWER SUPPLY PCB SUBASSEMBLY	332536	89536	332536	1		
A	2	REGULATOR PCB SUBASSEMBLY	396739	89536	396739	1		
A	3	TRANSFORMER PCB SUBASSEMBLY	332528	89536	332528	1		
C	1, 2, 9,	CAP, AL, 470UF, +50-10%, 40V	185868	73445	ET471Z040-A02	4	1	
C	10		185868					
C	3, 4	CAP, AL, 15UF, +50-10%, 400V	341032	89536	341032	2		
C	5, 6	CAP, AL, 240UF, +50-10%, 300V	223180	89536	223180	2		
C	7, 8	CAP, AL, 150UF, +50-10%, 63V	170274	80031	3070	2		
C	11	CAP, AL, 15000UF, +100-10%, 15V	310367	06001	86F520	1		
C	26	CAP, TA, 10UF, +-20%, 15V	193623	56289	196D106X0015A1	1	1	
C	27	CAP, POLYES, 5UF, +-5%, 150V AC	364190	89536	364190	1	1	
C	28	CAP, MICA, 33PF, +-5%, 500V	160317	02799	DM15E330J	1		
CR	3, 6, 7	* DIODE, SI, RECT, BRIDGE, BV=200V, IO=1.0A	296509	09423	FB200	3		
CR	4	* DIODE, SI, RECT, BRIDGE, BV=1000V, IO=1.0A	723270	89536	723270	1	1	
CR	5	* DIODE, SI, RECT, BRIDGE, BV=600V, IO=1.0A	341008	11711	KBP06	1	1	
CR	8	* DIODE, SI, RECT, BRIDGE, BV= 50V, IO=6.28A	428839	09713	MDA970-1	1		
CR	16, 17	* DIODE, SI, BV= 75.0V, IO=150MA, 500 MW	203323	07910	1N4448	2	1	
CR	18, 20	* ZENER, UNCOMP, 4.3V, 5%, 20.0MA, 0.4W	180455	07910	IN749A	2	1	
CR	19	* DIODE, SI, BV= 20.0V, IO= 50MA, SELCTD IR	348177	07263	FD7223	1	1	
H	1	SCREW, MACH, PHP, STL, 10-32X5/16	417105	89536	417105	6		
H	2	SCREW, MACH, PHP, STL, 8-32X1/4	228890	89536	228890	2		
H	3	SCREW, MACH, PHP, STL, 4-40X1/2	152132	89536	152132	2		
H	4	NUT, HEX, S. STL, 4-40	147611	89536	147611	2		
H	5	WASHER, LOCK, SPLIT, STEEL, #4	110395	89536	110395	2		
H	6	SCREW, MACH, PHP, S. STL, 6-32X1/2	320051	89536	320051	3		
H	7	NUT, HEX, MINI, S. STL, 6-32	110569	89536	110569	3		
H	8	WASHER, LOCK, INTRNL, STEEL, #6	110338	89536	110338	3		
H	9	WASHER, LOCK, INTRNL, S STEEL, #8	175927	89536	175927	2		
J	21	CONN, PWB EDGE, REC, 90, 0.156 CTR, 36 POS	236885	02660	225-21821-105	1		
J	22, 23	CONN, PWB EDGE, REC, 0.100 CTR 86 POS	335281	89536	335281	2		
MP	1	CLAMP, CAPACITOR	185801	56289	4586-97A	3		
MP	2	COMPONENT HOLDER	104794	98159	2829-115-3	4		
MP	3	TAPPED, RIGHT ANGLE, STAINL. STEEL, PA	306225	89536	306225	2		
MP	4	SLEEV, TEFLON, 0.027ID, NATURAL	196717	89536	196717	1		
Q	18	* TRANSISTOR, SI, PNP, SMALL SIGNAL	195974	64713	2N3906	1		
R	35, 36, 44,	RES, CF, 680, +-5%, 0.25W	368779	80031	CR251-4-5F200E	4		
R	45		368779					
R	37, 38	RES, CC, 750K, +-5%, 0.5W	188789	89536	188789	2		
R	39, 40	RES, CC, 200K, +-5%, 0.5W	245332	89536	245332	2		
R	43, 47, 49	RES, CF, 6.8K, +-5%, 0.25W	368761	80031	CR251-4-5F6K8	3		
R	46	RES, CC, 10M, +-5%, 0.25W	194944	01121	CB1065	1		
R	48	RES, CF, 30K, +-5%, 0.25W	368753	80031	CR251-4-5F30K	1		
U	5	* IC, OP AMP, GEN PURPOSE, TO-99/TO-78	271502	12040	LM301A	1		

TABLE 5-5. A5A1 POWER SUPPLY PCB SUBASSEMBLY
(SEE FIGURE 5-4B.)

REFERENCE DESIGNATOR A->NUMERICS----->	S	-----DESCRIPTION-----	FLUKE STOCK --NO--	MFRS SPLY CODE--	MANUFACTURERS PART NUMBER ---OR GENERIC TYPE---	TOT QTY	R --Q	N S T -E
C 12, 13		CAP, AL, 150UF, +50-10%, 63V	170274	80031	3070	2	1	
C 14		CAP, AL, 8000UF, 75-10%, 15V	341040	89536	341040	1	1	
C 18		CAP, POLYES, 0.001UF, +-10%, 200V	159582	56289	192F10292	1	1	
C 19, 20		CAP, TA, 10UF, +-20%, 20V	330662	56289	196D106X0020KA1	2		
C 21		CAP, TA, 68UF, +-20%, 15V	193615	56289	196D686X0015LA3	1		
CR 1	*	DIODE, SI, RECT, BRIDGE, BV=200V, IO=1.0A	296509	09423	FB200	1	1	
CR 2	*	DIODE, SI, RECT, BRIDGE, BV=200V, IO=1.0A	236547	89536	236547	1		
CR 9, 10	*	ZENER, UNCOMP, 16.0V, 5%, 7.8MA, 0.4W	325837	04713	1N966B	2	1	
H 1		SCREW, MACH, PHP SEMS, STL, 6-32X1/4	178533	89536	178533	2		
H 2		SCREW, MACH, PHP SEMS, STL, 6-32X3/8	177022	89536	177022	2		
H 3		SCREW, MACH, PHP SEMS, STL, 4-40X1/4	185918	89536	185918	4		
MP 1		SPACER, SWAGED, KND, BRASS, 6-32X0.070	342824	89536	342824	4		
MP 2		HEATSINK	342675	13103	6003-B-2	1		
MP 3		SPACER, MOUNT, NYLON	152207	07047	10123-DAP	2		
MP 4		SHIELD, POWER SUPPLY	331983	89536	331983	1		
MP 5		GUIDE, RETAINER-PCB, BLACK	341164	89536	341164	2		
MP 6		COMPONENT HOLDER	104794	98159	2829-115-3	2		
Q 1	*	TRANSISTOR, SI, NPN, SMALL SIGNAL	203489	09214	11C2322	1		
Q 2	*	TRANSISTOR, SI, PNP, SMALL SIGNAL	402586	04713	2N2905A	1	1	
Q 3	*	TRANSISTOR, SI, BV= 50V, 117W, TO-3	183012	02735	40251	1		
R 1, 4		RES, CF, 12, +-5%, 0.25W	442178	80031	CR251-4-5F12E	2		
R 2, 3		RES, CF, 1.8K, +-5%, 0.25W	441444	80031	CR251-4-5F1KB	2		
R 5		RES, WW, 0.27, +-5%, 2W	219428	89536	219428	1		
R 7		RES, MF, 4.99K, +-1%, 0.125W, 100PPM	168252	91637	MFF1-84991	1		
TP 1- 4		TERM, UNINSUL, STANDOFF, TURRET	208355	89536	208355	4		
U 4	*	SELECTED 723 FROM 313106 VREF GROUPED	358143	89536	358143	1	1	1

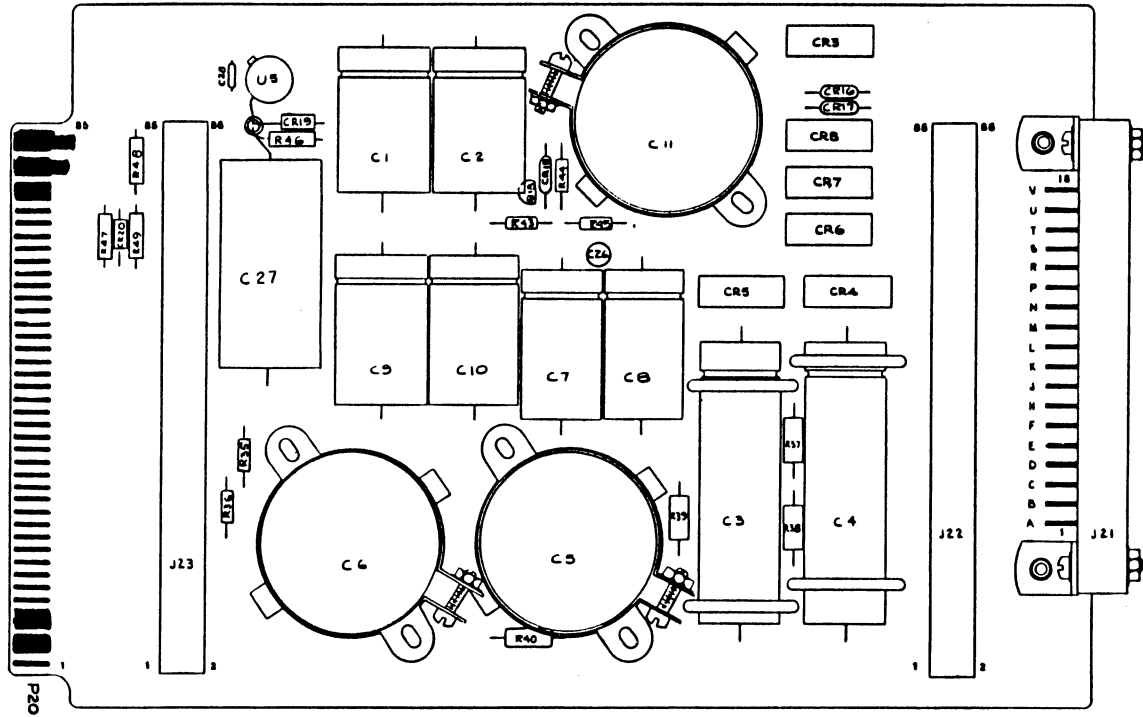
NOTE 1 = U4 AND R6 SELECTED SET

TABLE 5-6. A5A2 REGULATOR PCB SUBASSEMBLY
 (SEE FIGURE 5-4C.)

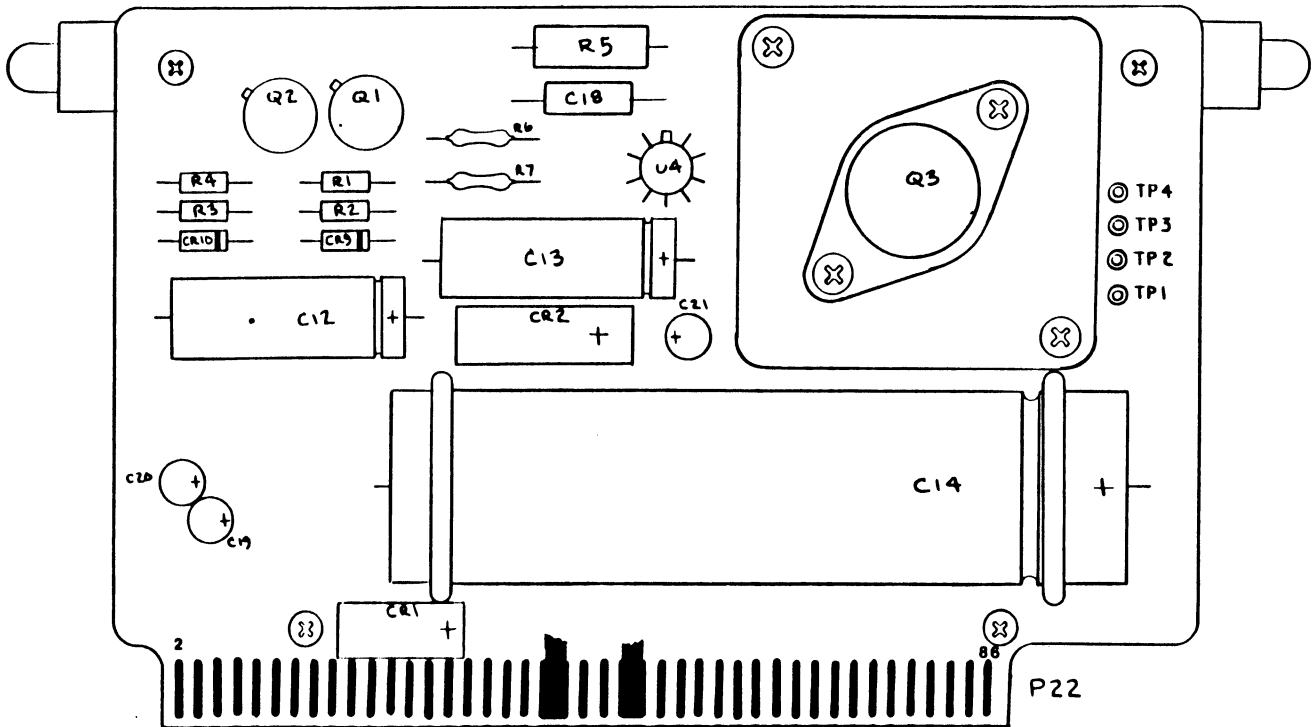
REFERENCE DESIGNATOR A->NUMERICS----->	S	-----DESCRIPTION-----	FLUKE STOCK ---NO---	MFRS SPLY CODE--	MANUFACTURERS PART NUMBER ---OR GENERIC TYPE---	TOT QTY	R S -Q	N O T -E
C 15		CAP, MICA, 33PF, +-5%, 500V	160317	02799	DM15E330J	1		
C 16		CAP, CER, 0.22UF, +-20%, 50V, Z5U	309849	71590	CW3C0C224K	1		
C 17		CAP, CER, 500PF, +-10%, 1000V, X5R	105692	71590	2DDH60N501K	1		
C 22- 24		CAP, TA, 10UF, +-20%, 20V	330662	56289	196D106X0020KA1	3		
C 25		CAP, TA, 1UF, +-10%, 35V	161919	56289	196D010X0035G	1		
CR 11		* DIODE, SI, N-JFET, CURRENT REG, IF=2.0 MA	284927	07910	1CR5305	1	1	
CR 12, 14		* DIODE, SI, N-JFET, CURRENT REG, IF=3.0 MA	429373	89536	429373	2		
CR 13		* ZENER, UNCOMP, 5.6V, 5%, 20.0MA, 0.4W	277236	07910	1N752A	1		
CR 15		* DIODE, SI, BV= 75.0V, IO=150MA, 500 MW	203323	07910	1N4448	1		
H 1		SCREW, MACH, PHP SEMS, STL, 6-32X1/4	178533	89536	178533	2		
H 2		SCREW, MACH, PHP SEMS, STL, 6-32X3/8	177022	89536	177022	2		
H 3		SCREW, MACH, PHP SEMS, STL, 4-40X1/4	185918	89536	185918	3		
H 4		SCREW, MACH, PHP, STL, 4-40X3/8	152124	73734	19024	1		
MP 1		HEATSINK	342675	13103	6003-B-2	1	1	
MP 2		GUIDE, RETAINER-PCB BROWN	331975	89536	331975	2		
MP 3		HEAT DISSIPATOR	349688	89536	349688	1	1	
MP 4		SPACER, RETAINING	350090	89536	350090	2		
MP 5		SPACER, RND, SOLUBLE, 0.062IDX0.1560D	296319	32559	T0806	4	1	
MP 6		SPACER, MOUNT, NYLON	152207	07047	10123-DAF	1	1	
MP 7		SPACER, SWAGED, RND, BRASS, 6-32X0.070	342824	89536	342824	4		
Q 6		* TRANSISTOR, SI, BV= 90V, 3W, TO-5	289819	89536	289819	1		
Q 7, 11, 15		* TRANSISTOR, SI, PNP, SMALL SIGNAL	195974	64713	2N3906	3		
Q 8, 16		* TRANSISTOR, SI, BV= 90V, 3W, TO-5	295188	89536	295188	2	1	
Q 9		* TRANSISTOR, SI, BV= 45V, 30W, TO-220	325761	09214	D44C5	1	1	
Q 10		* TRANSISTOR, SI, NPN, SMALL SIGNAL	218396	04713	2N3904	1	1	
Q 12		* TRANSISTOR, SI, BV= 55V, 40W, TO-220	325753	09214	D45C5	1	1	
Q 13		* TRANSISTOR, SI, BV= 70V, 90W, TO-127	325720	04713	MJE3055	1		
Q 17		* TRANSISTOR, SI, BV=350V, 5W, TO-5	218511	02735	60994	1	1	
R 8, 10		RES, CF, 3.9, +-5%, 0.25W	442095	80031	CR251-4-5P3E9	2	1	
R 11, 13		POWER SUPPLY RESISTOR SET	339614	89536	339614	1		
R 12		RES, CF, 22K, +-5%, 0.25W	348870	80031	CR251-4-5P22K	1		
R 14		RES, MF, 13K, +-1%, 0.125W, 100PPM	335539	91637	CMF551302F	1		
R 15		RES, MF, 12.1K, +-1%, 0.125W, 100PPM	234997	91637	CMF551212F	1		
R 16, 21		RES, CC, 22, +-5%, 0.125W	474767	01121	BB1-B2205	2		
R 18		RES, MF, 13.7K, +-1%, 0.125W, 100PPM	236752	91637	CMF551372F	1		
R 19		RES, MF, 15K, +-1%, 0.125W, 100PPM	285296	91637	CMF551502F	1		
R 22		RES, MF, 20.5K, +-1%, 0.125W, 100PPM	261669	91637	CMF552052F	1		
R 23		RES, MF, 11K, +-1%, 0.125W, 100PPM	293621	91637	CMF55	1		
R 26		RES, MF, 4.75K, +-1%, 0.125W, 100PPM	260679	91637	CMF554751F	1		
R 27		RES, MF, 4.22K, +-1%, 0.125W, 100PPM	168245	91637	CMF554221F	1		
R 28		RES, CC, 2.4K, +-5%, 0.25W	193433	01121	CB2425	1		
R 29		RES, CC, 8.2, +-5%, 0.25W	246751	89536	246751	1		
R 30		RES, MF, 25.5K, +-1%, 0.125W, 100PPM	291377	91637	CMF552552F	1		
R 31		RES, MF, 23.2K, +-1%, 0.125W, 100PPM	291351	91637	CMF552322F	1		
R 32		RES, VAR, CERM, 1K, +-10%, 0.5W	285155	71450	360S102A	1		
R 33		RES, CF, 2.4, +-5%, 0.25W	348508	89536	348508	1		
R 34		RES, CF, 2K, +-5%, 0.25W	441469	80031	CR251-4-5P2K	1		
R 35		RES, CF, 1K, +-5%, 0.25W	343426	80031	CR251-4-5P1K	1	1	
R 36		RES, CF, 1.5K, +-5%, 0.25W	343418	80031	CR251-4-5P1K5	1		
TP 5- 12		TERM, UNINSUL, STANDOFF, TURRET	208355	89536	208355	8		
U 1		* IC, OP AMP, GEN PURPOSE, TO-99/TO-78	271502	12040	LM301A	1	1	
U 2		* IC, VOLT REG, ADJ, 2 TO 37 VOLT, 0.15 AMF	313106	04713	MC1723CG	1	1	
U 3		* IC, VOLT REG, FIXED, +5 VOLTS, 3 AMP, TO-3	453944	12040	LM223K	1	1	

TABLE 5-7. A5A3 TRANSFORMER PCB SUBASSEMBLY
(SEE FIGURE 5-4D.)

REFERENCE DESIGNATOR A->NUMERICS----->	S	-----DESCRIPTION-----	FLUKE STOCK ---NO---	MFRS SPLY CODE--	MANUFACTURERS PART NUMBER ---OR GENERIC TYPE---	TOT QTY	R S -Q	N O T -E
H	1	WASHER, FLAT, STEEL, #10, 0.031 THK	110262	89536	110262	8		
H	2	NUT, MACH, HEX, STL, 10-32	110536	89536	110536	4		
H	3	WASHER, LOCK, SPLIT, STEEL, #10	111484	89536	111484	4		
H	4	NUT, CAP, EXT. LOCK, STL, 6-32	152819	89536	152819	1		
J	24	CONN PART, MATE--N--LOK, HOUSG, PLUG, 4 POS	342964	89536	342964	1		
J	24	CONN PART, MATE--N--LOK, PIN, 0.093D, PWB	342998	27264	02-09-2133	4		
MP	1	SPACER, HEX, BRASS, 10-32X0.500	340521	89536	340521	4		
F	21	PIN, SINGLE, PWB, 0.025 SQ	267633	00779	86144-1	2		
S	1, 2	SWITCH, SLIDE, DPDT, POWER	234278	89536	234278	2		
S	3	THERMOSTAT, NO 160+-F, NC 130+-6F, 15A	417477	89536	417477	1		
T	1	TRANSFORMER, POWER	337576	89536	337576	1	1	



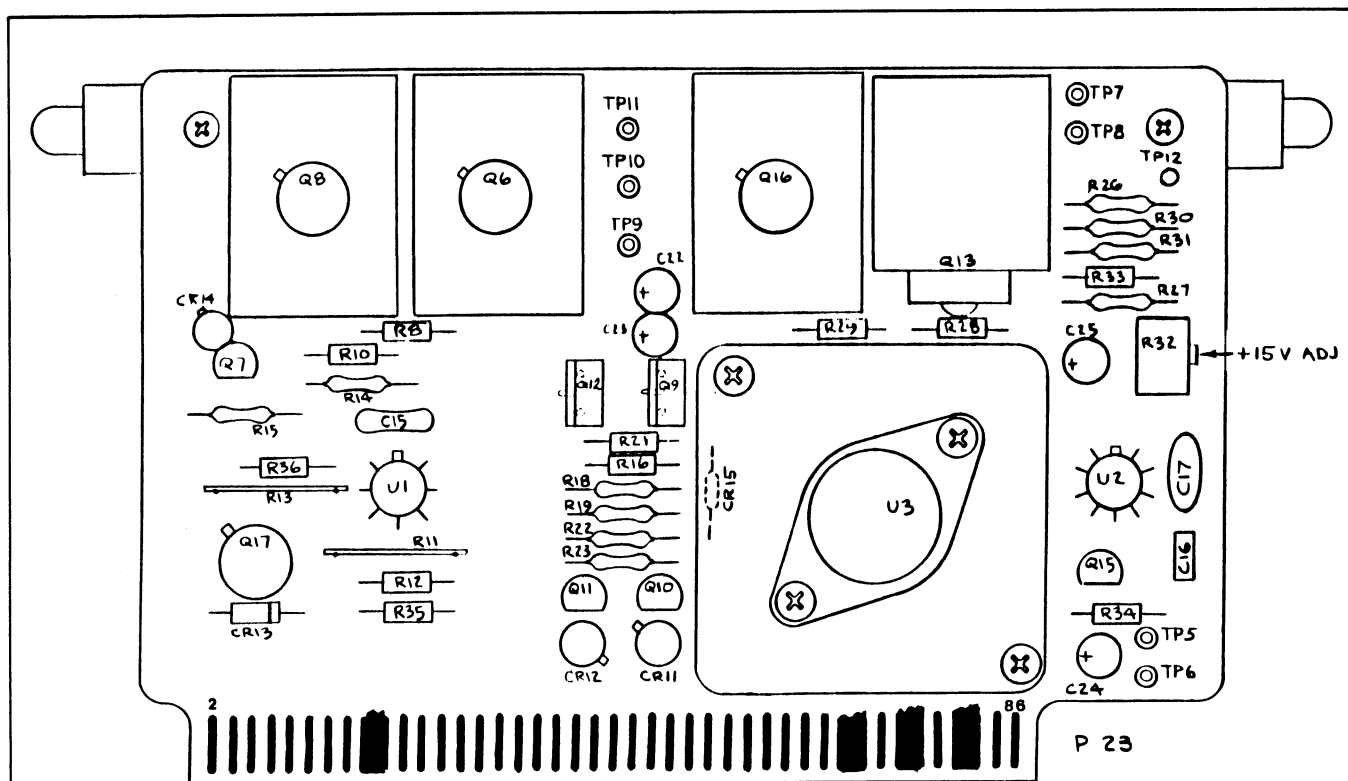
a. Power Supply Mother PCB Assembly



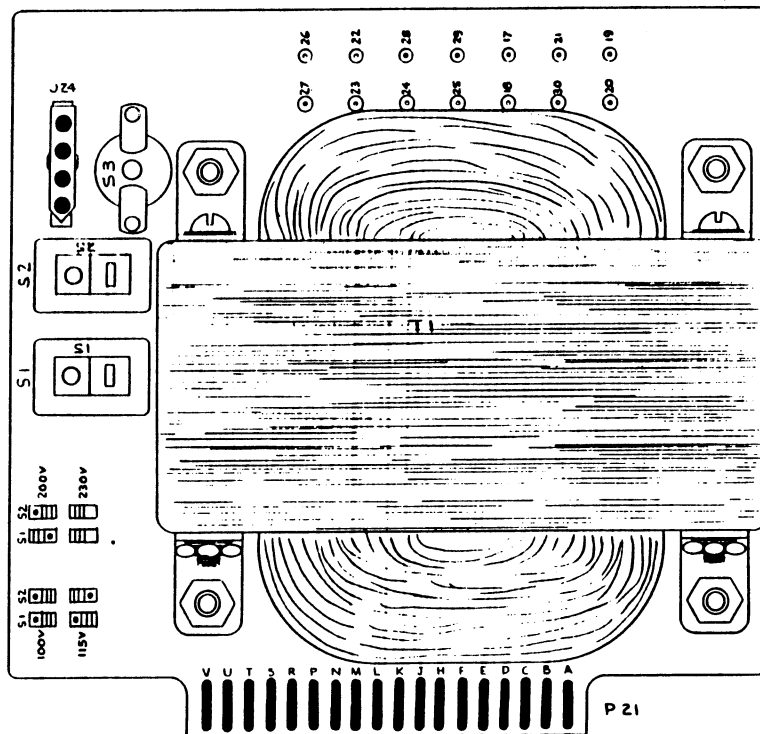
b. Power Supply PCB Subassembly

5200A-1020 PH2

Figure 5-4. A5 Power Supply Assembly



c. Regulator PCB Subassembly



d. Transformer PCB Subassembly

5200A-1020 PH2

Figure 5-4. A5 Power Supply Assembly (cont)

TABLE 5-8. A6 ATTENUATOR PCB ASSEMBLY
(SEE FIGURE 5-5.)

REFERENCE DESIGNATOR A->NUMERICS----->	S	DESCRIPTION-----	FLUKE STOCK --NO--	MFRS SPLY CODE--	MANUFACTURERS PART NUMBER ---OR GENERIC TYPE---	TOT QTY	R S -Q	N O T -E
A 1		CONNECTOR, ATTENUATOR ASSEMBLY	346577	89536	346577	1		1
C 1		CAP, CER, 0.025UF, +-20%, 100V, Z5W	168435	56289	C023B101H253M	1		
C 2		CAP, TA, 5.6UF, +-10%, 6V	198259	89536	198259	1		
C 3		CAP, VAR, 0.25-1.5PF, 1700V, TEFLON	218206	72982	530-000	1		
C 5, 9, 11		CAP, CER, 0.05UF, +80-20%, 25V, Y5U	148924	72982	5855-000-Y5U0-503Z	3		
C 6, 7		CAP, CER, 3.3PF, +-0.25PF, 500V, COJ	272492	89536	272492	2		
C 8, 10		CAP, CER, 0.22UF, +-20%, 50V, Z5U	309849	71590	CW3C0C224K	2	1	
C 16, 17		CAP, AL, 10UF, +50-10%, 25V	170266	73445	ET100X025A2	2		
C 18-20		CAP, CER, 0.05UF, +-20%, 100V, Z5V	149161	56289	55C23A1	3		
CR 1, 2, 4-	*	DIODE, SI, BV= 75.0V, IO=150MA, 500 MW	203323	07910	1N4448	36	1	
CR 29, 31-38	*		203323					
CR 3	*	ZENER, UNCOMP, 6.8V, 5%, 20.0MA, 0.4W	260695	07910	1N754A	1		
CR 39-42	*	DIODE, GER, BV=100.0V, IO= 80MA, 80 MW	149187	93332	1N270	4	1	
H 1		SCREW, MACH, PHP, STL, 2-56X5/16	363630	89536	363630	8		
H 2		SCREW, MACH, PHP, S, STL, 2-56X1/4	408054	89536	408054	11		
H 3		WASHER, LOCK, INTRNL, STEEL, #2	110676	89536	110676	18		
H 4		SCREW, MACH, PHP, S, STL, 4-40X1/4	256156	89536	256156	6		
H 5		SCREW, MACH, PHP, STL, 4-40X3/4	115063	89536	115063	2		
H 6		WASHER, FLAT, BRASS, #4, 0.025	110775	89536	110775	6		
H 7		SCREW, MACH, PHP SEMS, STL, 4-40X3/8	281196	89536	281196	4		
H 8		WASHER, LOCK, SPLIT, STEEL, #4	110395	89536	110395	6		
J 33		CONN, COAX, SMB(M), PWB	352450	98291	51-051-0000	1		
K 1		INDUCTOR, VAR, 1.10UH, +/-30%, 10MHZ	357913	89536	357913	1		
K 1, 2, 4-		RELAY, REED, 1 FORM A, 4.5VDC	404590	71707	CR4503	24		
K 9, 11, 13,			404590					
K 15-23, 26,			404590					
K 28, 29, 33,			404590					
K 34			404590					
K 3, 10, 12,		RELAY, REED, 2 FORM A, 5VDC	340638	71482	MRB2A05	7		
K 14, 24, 25,			340638					
K 31			340638					
K 27, 32		RELAY, REED, 1 FORM A, 4.5VDC	357558	71707	UF40068	2		
MP 1		SPACER, SWGD, RND, BRASS, 0.113IDX0.375	331231	89536	331231	4		
MP 2		SPACER, SWAGED, RND, BRASS, 0.150IDX0.510	284372	89536	284372	4		
MP 3		SPACER, RND, CERAMIC, 0.125IDX0.500	155473	89536	155473	2		
MP 4		RESISTOR, RETAINER	333674	89536	333674	2		
MP 5		SHIELD, ATTENUATOR	336149	89536	336149	1		
MP 6		GUIDE, RETAINER-PCB, ORANGE	341099	89536	341099	6		
MP 7		SPACER, RND, ALUM, 0.156IDX0.438	104216	89536	104216	2		
MP 8		SPACER, RND, ALUM, 0.156IDX0.375	144311	89536	144311	2		
MP 9		SHIELD, ATTENUATOR DIVIDER	349399	89536	349399	1		
Q 1, 2	*	TRANSISTOR, SI, NPN, SMALL SIGNAL	218396	04713	2N3904	2	1	
R 1, 5, 6,		RES, CF, 1K, +-5%, 0.25W	573170	80031	CR251-4-5P1K	4	7	
R 13			573170					
R 1, 7		RES, CF, 22K, +-5%, 0.25W	573451	89536	573451	2	1	
R 2, 17, 18		RES, CF, 4.3K, +-5%, 0.25W	641100	89536	641100	3	1	
R 4		RES, CF, 10K, +-5%, 0.25W	573394	80031	CR251-4-5P10K	1		
R 8, 10		RES, SET, BMF, TOL, TC, MATCHED	460758	89536	460758	1		
R 9		RES, VAR, CERM, 50, +-20%, 0.5W	267815	11236	190PC500B	1	1	
R 11, 12		RES, VAR, CERM, 5K, +-10%, 0.5W	288282	75378	360T052A2	2		
R 15, 16		RES, CF, 2.2K, +-5%, 0.25W	573246	80031	CR251-4-5P2K2	2	1	
R 19		RES, CF, 100, +-5%, 0.25W	573014	80031	CR251-4-5P100E	1		
R 20		RES, CF, 5.1K, +-5%, 0.25W	368712	80031	CR251-4-5P5K1	1		
T 1		TRANSFORMER, LOW FREQUENCY	342493	89536	342493	1		
T 2		RATIOFORMER, MID-FREQUENCY	402396	89536	402396	1		
T 3		TRANSFORMER, HI FREQUENCY, NO 1	342477	89536	342477	1		
U 1, 9, 11	*	IC, TTL, HEX INVERTER W/OPEN COLLECTOR	288605	01295	SN7416N	3		
U 2, 4, 5,	*	IC, TTL, DUAL NAND DRVR W/OPEN COLLECT	329706	01295	SN75452P	5	1	
U 17, 18	*		329706					
U 3, 6-8	*	IC, TTL, QUAD 2 IN NAND GATE W/OPEN COL	310201	01295	SN7438N	4	1	
U 10	*	IC, TTL, BCD-DEC 4-10 LINE DECODER	293142	01295	SN7442N	1	1	
U 12	*	IC, TTL, QUAD 2 INPUT NAND GATE	292953	01295	SN7400N	1	1	
U 13, 16	*	IC, TTL, HEX INVERTER	292979	01295	SN7404N	2		
U 14	*	IC, TTL, TRIPLE 3 INPUT NAND GATE	292995	01295	SN7410N	1	1	
U 15	*	IC, TTL, QUAD 2 INPUT NAND BUFFER	296228	01295	SN7437N	1		
W 1, 2		ASSY, CABLE PH 2	405167	89536	405167	2		
W 3		CABLE ASSY, TRIP SHIELDED RF	338764	89536	338764	1		
W 4		CABLE-RF	356154	89536	356154	1		

NOTE 1 = PART OF THE 5200A/5205A I/F CABLE P/N 341560 AND MAY BE USED SEPARATELY AS A REAR OUTPUT CABLE. ASSEMBLY INCLUDES:

1 CONNECTOR, TERMINAL P/N 347831

1 CONNECTOR, ATTENUATOR P/N 346619

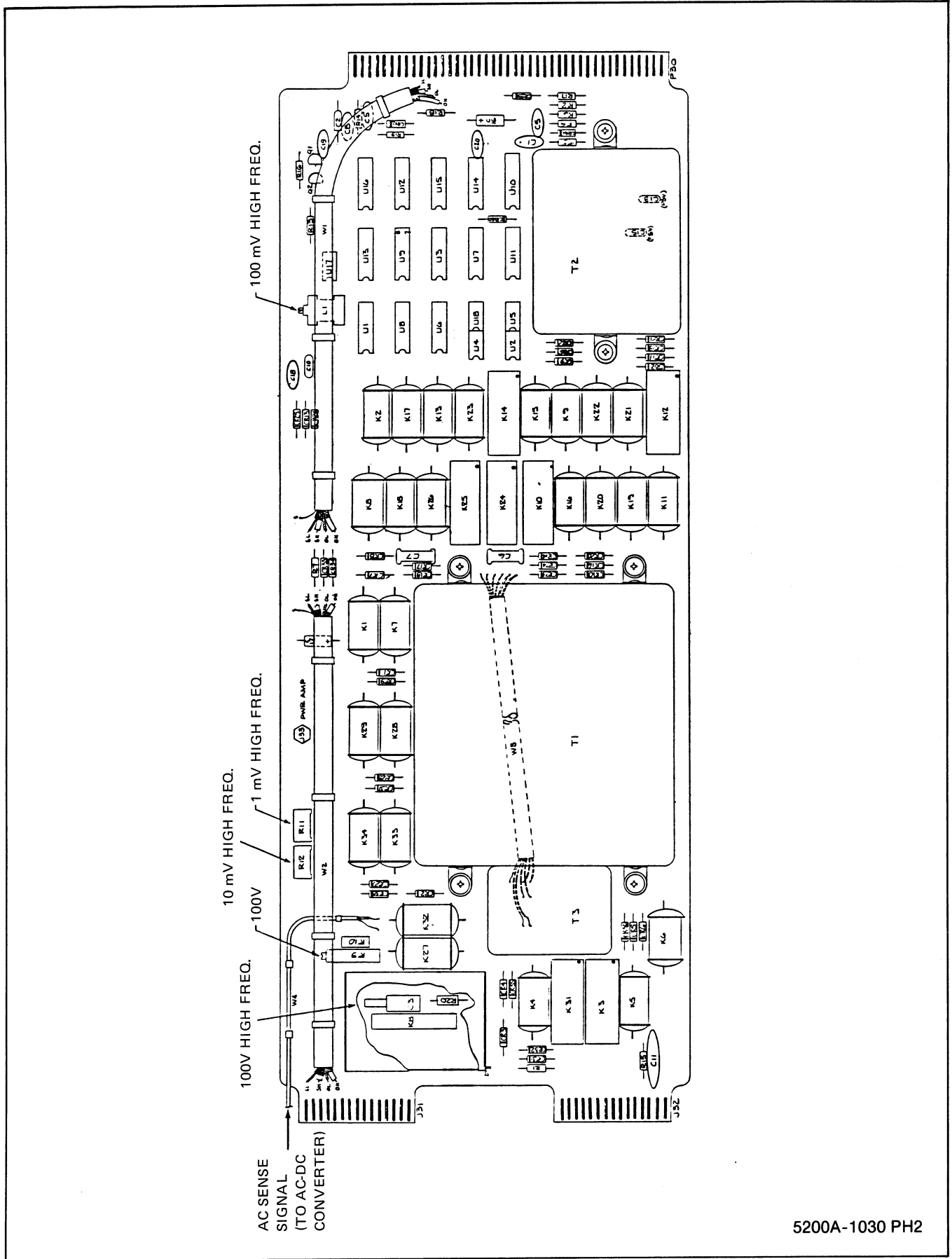


Figure 5-5. A6 Attenuator PCB Assembly

5200A-1030 PH2

TABLE 5-9. A7 POWER AMPLIFIER PCB ASSEMBLY
 (SEE FIGURE 5-6.)

REFERENCE DESIGNATOR A->NUMERICS-----)	S	DESCRIPTION-----	FLUKE STOCK ---NO---	MFRS SPLY CODE--	MANUFACTURERS PART NUMBER ---OR GENERIC TYPE---	TOT QTY	R S -Q	N O T -E
C	1, 22, 34	CAP, MICA, 100PF, +-5%, 500V	148494	72136	DM15F101J	3		
C	2	CAP, MICA, 33PF, +-5%, 500V	160317	02799	DM15E330J	1		
C	3	CAP, TA, 22UF, +-10%, 15V	236653	89536	236653	1		
C	4- 8, 32	CAP, CER, 0.05UF, +-20%, 100V, Z5V	149161	56289	55C23A1	6		
C	10	CAP, POLYES, 0.047, +-10%, 250V	162008	73445	C280MAE/A47K	1		
C	15, 16	CAP, CER, 0.05UF, +80-20%, 500V, Z5U	105676	56289	33C58B	2		
C	18	CAP, MICA, 22PF, +-5%, 500V	148551	02799	DM15C220J	1		
C	20, 23	CAP, AL, 3UF, +50-10%, 300V	340786	56289	500D3UFF300DC	2		
C	21	CAP, POLYES, 0.47UF, +-10%, 200V	271999	89536	271999	1	1	
C	24	CAP, MICA, 39PF, +-5%, 500V	148544	72136	DM15E390J	1		
C	25, 33	CAP, MICA, 1000PF, +-5%, 500V	148387	72136	DM19F102J	2		
C	26	CAP, POLYES, 0.1UF, +-10%, 50V	271866	06001	75F2R5A104	1		
C	28	CAP, POLYCA, 0.33UF, +-10%, 100V	284703	84411	X463UW	1		
C	29, 35	CAP, TA, 330UF, +-10%, 6V	193011	56289	150D330X9006S2	2		
C	36	CAP, MICA, 8PF, +-10%, 500V	216986	72136	DM15C080K	1		
C	37	CAP, MICA, 220PF, +-5%, 500V	170423	72136	DM15F221J	1		
C	38- 40	CAP, CER, 0.0033UF, +-20%, 1000V, Z5P	106674	56289	C023B102F332M	3		
C	40	* TRANSISTOR, SI, NPN, SMALL SIGNAL	179374	12040	2N2218	1		
C	41	CAP, CER, 300PF, +-10%, 500V, X7W	105734	71590	BB60301KW7W	1		
C	42	CAP, CER, 500PF, +-10%, 1000V, X5R	105692	71590	2DDH60N501K	1		
C	43	CAP, MICA, 27PF, +-5%, 500V	177998	72136	DM15E270J	1		
C	44	CAP, CER, 0.05UF, +80-20%, 25V, Y5U	148924	72982	5855-000-Y5U0-503Z	1		
CR	1, 2, 5-	* DIODE, SI, BV= 75.0V, IO=150MA, 500 MW	203323	07910	1N4448	15	1	
CR	7, 10, 11,	*	203323					
CR	13- 15, 18,	*	203323					
CR	23, 24, 26,	*	203323					
CR	27	*	203323					
CR	3	* ZENER, UNCOMP, 7.5V, 5%, 34.0MA, 1.0W	340687	89536	340687	1	3	
CR	4	* ZENER, UNCOMP, 130.0V, 5%, 1.9MA, 1.0W	353284	89536	353284	1		
CR	8, 9	* ZENER, UNCOMP, 10.0V, 5%, 25.0MA, 1.0W	340695	12969	UZ8710	2	1	
CR	12, 17, 19	CAP, TA, 2.2UF, +-20%, 20V	161927	56289	196D225X0020HA1	3	1	
CR	12	* ZENER, UNCOMP, 140.0V, 5%, 1.0MA, 1.0W	340703	12969	UZ8114	1	1	
CR	17	* DIODE, SI, N-JFET, CURRENT REG, IF=14.0MA	340992	89536	340992	1		
CR	19, 20	* ZENER, UNCOMP, 20.0V, 5%, 12.5MA, 1.0W	291575	12969	UZ8720	2		
CR	21	* DIODE, SI, BV= 20.0V, IO= 50MA, SELCTD IR	348177	07263	FD7223	1		
CR	22	* DIODE, SI, 600 PIV, 1.5 AMP	112383	05277	1N4822	1	1	
CR	28, 29	* ZENER, UNCOMP, 6.8V, 5%, 20.0MA, 0.4W	260695	07910	1N754A	2		
CR	30- 37	* DIODE, SI, 400 PIV, 1.0 AMP	368738	04713	1N4004	8	1	
H	1	WASHER, LOCK, INTRNL, STEEL, #2	110676	89536	110676	2	1	
H	2	SCREW, MACH, RHS, STL, 6-32X1/4	272799	73734	18042	3		
H	3	SCREW, MACH, PHP, STL, 2-56X3/8	196634	89536	196634	2		
H	4	SCREW, MACH, PHP, S. STL, 6-32X5/8	412841	89536	412841	4		
H	5	SCREW, MACH, RHS, NYL, 6-32X1/2	115006	89536	115006	2		
H	6	SCREW, MACH, PHP SEMS, STL, 4-40X1/4	185918	89536	185918	2		
H	7	SCREW, MACH, PHP, STL, 4-40X1/2	152132	89536	152132	12		
H	8	WASHER, LOCK, INTRNL, STEEL, #4	110403	89536	110403	12		
H	9	SCREW, MACH, PHP, STL, 4-40X1-1/4	114918	89536	114918	4		
H	10	WASHER, FLAT	355628	89536	355628	1		
H	11	SCREW, MACH, PHP, S. STL, 6-32X1/2	320051	89536	320051	6		
H	12	SCREW, MACH, PHP, STL, 4-40X1/4	129890	73734	19022	6	1	
K	1, 2	COIL, REED, 125AT, 0.42 OD, 0.141ID, 0.82L	269019	71707	U-6-P	2	1	
K	2	SWITCH, REED, 1 FORM A, 10VA, 50AT	219097	95348	MR5972	1		
L	1- 9	CORE, TOROID, FERRITE, .047X.138X.118	321182	89536	321182	9		
L	10	4 TURN CHOKE	379222	89536	379222	1	1	
MF	1	SHIELD, OUTPUT STAGE	333690	89536	333690	1	1	
MF	2	SPACER, SWAGED, RND, BRASS, 2-56X0.125	340976	89536	340976	2		
MF	3	SPACER, SWAGED, RND, BRASS, 4-40X0.125	335596	89536	335596	1		
MF	4	RADIAL FIN, F/.275.335 CASE, NF-207	104646	89536	104646	4		
MF	5	SPACER, SWAGED, RND, BRASS, 6-32X0.070	342824	89536	342824	12		
MF	6	SPACER, SWAGED, RND, BRASS, 4-40X0.187	335604	89536	335604	5		
MF	7	HEAT SINK, DRILLED	396994	89536	396994	1	1	
MF	8	BRACKET, MOUNTING, HEAT SINK	339648	89536	339648	6		
MF	9	INSULATOR, TRANSISTOR	396499	89536	396499	1		
MF	10	SPACER, RND, ALUM, 0.156IDX0.938	104661	89536	104661	4		
MF	11	GUIDE, RETAINER-PCB YELLOW	341107	89536	341107	6		
MF	12	HEAT SINK, TOS, SPOT FACED	332031	89536	332031	1	1	
MF	13	HEATSINK	354993	98978	TXC20CB	1		
MF	14	DECAL, DANGER HIGH VOLTAGE	236968	89536	236968	1		
MF	15	SHIELD, POWER AMPLIFIER	333633	89536	333633	1	1	
MF	16	SPACER, SWAGED, RND, BRASS, 6-32X0.710	295089	89536	295089	3		
MF	17	INSUL, MICA, TRANSISTOR, 0.002 THK	101493	08530	757	2	1	
MF	18	INSUL, MICA, TRANSISTOR, .003-.010 THK	195891	89536	195891	3		
Q	1	* TRANSISTOR, SI, N-JFET, TO-92	288324	89536	288324	1		
Q	2- 6, 18	* TRANSISTOR, SI, PNP, SMALL SIGNAL	229898	04713	MPS6522	6	1	

TABLE 5-9. A7 POWER AMPLIFIER PCB ASSEMBLY (CONT.)
 (SEE FIGURE 5-6.)

REFERENCE DESIGNATOR A->NUMERICS	S	DESCRIPTION	FLUKE STOCK ---NO---	MFRS SFLY CODE--	MANUFACTURERS PART NUMBER ---OR GENERIC TYPE---	TOT QTY	R -Q	N O T E
Q 7, 8, 34,	*	TRANSISTOR, SI, NPN, SMALL SIGNAL	333898	89536	333898	4	1	
Q 35	*		333898					
Q 9, 30	*	TRANSISTOR, SI, PNP, SMALL SIGNAL	266619	07263	2N4888	2		
Q 11, 25, 28,	*	TRANSISTOR, SI, NPN, HI-VOLTAGE	342543	89536	342543	4	2	
Q 32	*		342543					
Q 12, 29, 39	*	TRANSISTOR, SI, PNP, SMALL SIGNAL	195974	64713	2N3906	3	1	
Q 13, 19, 27,	*	TRANSISTOR, SI, NPN, SMALL SIGNAL	218396	04713	2N3904	6	1	
Q 36, 37, 41	*		218396					
Q 14, 17	*	TRANSISTOR, SI, NPN, SMALL SIGNAL	218081	04714	MFS6520	2		
Q 15, 42	*	TRANSISTOR, SI, NPN, SMALL SIGNAL	335067	89536	335067	2	1	
Q 20	*	XISTOR ADAPTOR NPN Q20, TESTED	434480	89536	434480	1	1	1
Q 21	*	TRANSISTOR, SI, NPN, SMALL SIGNAL, HI-FT	340554	89536	340554	1	1	
Q 22	*	TRANSISTOR, SI, PNP, SMALL SIGNAL	340497	89536	340497	1	1	
Q 23	*	XISTOR ADAPTOR PNP, TESTED Q23	332551	89536	332551	1		2
Q 24, 26	*	TRANSISTOR, SI, BV=375V, 100W, TO-3	313213	02735	2N5240	2		
Q 31	*	TRANSISTOR, SI, BV=500V, 35W, TO-66	385302	89536	385302	1		
Q 33, 38	*	TRANSISTOR, SI, N-JFET, TO-92, SWITCH	261578	15818	U2366J	2	1	
R 1		RES, MF, 3.32K, +-0.1%, 0.5W, 50PPM	340760	89536	340760	1		
R 2		RES, MF, 30.1K, +-0.1%, 1W, 50PPM	340778	89536	340778	1		
R 3		RES, MF, 1K, +-0.1%, 0.5W, 50PPM	340752	89536	340752	1		
R 4		RES, MF, 10K, +-1%, 0.125W, 100PPM	168260	91637	CMF551002F	1		
R 5		RES, CF, 4.7K, +-5%, 0.25W	348821	01121	CB4725	1		
R 6		RES, VAR, CERM, 100K, +-20%, 0.5W	268581	71450	190FC104B	1		
R 7		RES, MF, 20K, +-1%, 0.125W, 100PPM	291872	91637	CMF552002F	1		
R 8		RES, MF, 464K, +-1%, 0.125W, 100PPM	271908	91637	CMF554643F	1	1	
R 9		RES, MF, 221, +-1%, 0.125W, 100PPM	340794	91637	CMF552210F	1		
R 10		RES, MF, 2.37K, +-1%, 0.5W, 100PPM	182519	89536	182519	1		
R 11, 12		RES, MF, 1.54K, +-1%, 0.125W, 100PPM	289066	91637	CMF551541F	2		
R 13, 14, 39		RES, MF, 100, +-1%, 0.125W, 100PPM	168195	91637	CMF551000F	3		
R 15, 43, 72,		RES, CF, 220, +-5%, 0.25W	342626	80031	CR251-4-5P220E	4		
R 85			342626					
R 17		RES, MF, 130K, +-1%, 0.5W, 100PPM	247163	89536	247163	1		
R 18		RES, MF, 29.4K, +-1%, 0.125W, 100PPM	235135	91637	CMF552942F	1		
R 19		RES, CF, 150K, +-5%, 0.25W	348938	80031	CR251-4-5P150K	1		
R 20, 30, 73,		RES, CF, 10K, +-5%, 0.25W	348839	80031	CR251-4-5P10K	7		
R 74, 78, 79,			348839					
R 80			348839					
R 21		RES, CF, 100K, +-5%, 0.25W	348920	80031	CR251-4-5P100K	1		
R 22		RES, CF, 22K, +-5%, 0.25W	348870	80031	CR251-4-5P22K	1		
R 23, 24		RES, CF, 1K, +-5%, 0.25W	343426	80031	CR251-4-5P1K	2		
R 25		RES, MF, 1.96K, +-1%, 0.125W, 100PPM	288423	91637	CMF551961F	1		
R 26		RES, VAR, CERM, 200, +-10%, 0.5W	285148	75378	360T200AZ	1		
R 27		RES, MF, 619, +-1%, 0.125W, 100PPM	313072	89536	313072	1		
R 28		RES, CF, 8.2, +-5%, 0.25W	442269	80031	CR251-4-5P8E2	1		
R 31		RES, CF, 1.8K, +-5%, 0.25W	441444	80031	CR251-4-5P1K8	1		
R 32		RES, MF, 147K, +-1%, 0.5W, 100PPM	247205	89536	247205	1		
R 33		RES, MF, 7.50K, +-1%, 0.125W, 100PPM	223529	91637	CMF557501F	1		
R 34, 35		RES, MF, 2.67K, +-1%, 0.125W, 100PPM	289587	91637	CMF552671F	2		
R 36		RES, WW, 18K, +-10%, 5W	112839	89536	112839	1		
R 37		RES, CF, 15, +-5%, 0.25W	348755	80031	CR251-4-5P15E	1		
R 38		RES, MF, 73.2K, +-1%, 0.5W, 100PPM	247908	89536	247908	1		
R 40, 46		RES, CC, 68K, +-10%, 2W	110114	89536	110114	2		
R 42, 44		RES, CF, 2.2, +-5%, 0.25W	354944	80031	CR251-4-5P2E2	2		
R 47		RES, CC, 100K, +-10%, 2W	158659	89536	158659	1		
R 48		RES, MF, 165K, +-1%, 0.5W, 100PPM	247262	89536	247262	1	1	
R 49, 53, 59		RES, MF, 15K, +-1%, 0.125W, 100PPM	285296	91637	CMF551502F	3		
R 50		RES, MF, 464, +-1%, 0.125W, 100PPM	340810	91637	CMF55	1		
R 51, 89		RES, MF, 169K, +-1%, 0.5W, 100PPM	176206	89536	176206	2		
R 52, 79		RES, MF, 10, +-1%, 0.125W, 100PPM	268789	91637	CMF5510R0F	2		
R 54		RES, CF, 6.8K, +-5%, 0.25W	368761	80031	CR251-4-5P6K8	1		
R 55		RES, MF, 191K, +-1%, 0.5W, 100PPM	247353	89536	247353	1		
R 56, 60		RES, CF, 68, +-5%, 0.25W	414532	80031	CR251-4-5P68E	2		
R 57		RES, CF, 1.2K, +-5%, 0.25W	441378	80031	CR251-4-5P1K2	1		
R 58		RES, MF, 30.1K, +-1%, 0.125W, 100PPM	168286	91637	MFF1-83012F	1		
R 61		RES, CF, 4.7, +-5%, 0.25W	441584	80031	CR251-4-5P4E7	1		
R 62		RES, CF, 33K, +-5%, 0.25W	348888	80031	CR251-4-5P33K	1		
R 63		RES, MF, 442, +-1%, 0.125W, 100PPM	340802	89536	340802	1		
R 64, 71		RES, CF, 10, +-5%, 0.25W	340075	80031	CR251-4-5P10E	2		
R 66		RES, CF, 51, +-5%, 0.25W	414540	80031	CR251-4-5P51E	1		
R 67		RES, MF, 1K, +-1%, 0.125W, 100PPM	168229	91637	CMF551001F	1		
R 68		RES, CF, 33, +-5%, 0.25W	414524	80031	CR251-4-5P330E	1		
R 69		RES, MF, 226, +-1%, 0.125W, 100PPM	325654	89536	325654	1		
R 70		RES, CF, 330, +-5%, 0.25W	368720	80031	CR251-4-5P330E	1		
R 77, 86		RES, CF, 470, +-5%, 0.25W	343434	80031	CR251-4-5P470E	2	1	

TABLE 5-9. A7 POWER AMPLIFIER PCB ASSEMBLY (CONT.)
(SEE FIGURE 5-6.)

REFERENCE DESIGNATOR A->NUMERICS->>	S	DESCRIPTION	FLUKE STOCK ---NO---	MFRS SPLY CODE--	MANUFACTURERS PART NUMBER ---OR GENERIC TYPE---	TOT QTY	R S -Q	N O T -E
R 82- 84		RES,CC,130K,+/-5%,2W	200527	89536	200527	3	1	
R 87		RES,CF,2.7,+/-5%,0.25W	442061	80031	CR251-4-5P2E7	1	2	
R 88		RES,MF,174,+/-1%,0.125W,100PPM	343913	89536	343913	1		
R 90		RES,CF,360,+/-5%,0.25W	352286	80031	CR251-4-5P360E	1		
R 91		RES,CC,10M,+/-5%,0.25W	194944	01121	CB1065	1		
R 92		RES,CF,270,+/-5%,0.25W	348789	80031	CR251-4-5P270E	1		
R 106		RES,MF,17.4K,+/-1%,0.5W,100PPM	247270	89536	247270	1		
S 1		SWITCH,SLIDE,DPDT,POWER	234278	89536	234278	1		
TP 1- 6		TERM,UNINSUL,FEEDTHRU,HOLE,TURRET	179283	88245	2010B-5	8		
U 1		* IC,OP AMP,SELECTED,GEN PURPOSE,TO-78	225961	24355	AD3092	1		
U 2		* IC,DTL,QUAD 2 INPUT NAND PWR GATE	288597	04713	MC858P	1		
W 1		5200A-PWR AMP CABLE	351510	89536	351510	1		
XQ 2- 6, 9,		SOCKET,TRANS,TO-5	285262	71785	1-33-23-92-045	25		
XQ 11- 13, 18,			285262					
XQ 19, 21, 22,			285262					
XQ 25, 27- 30,			285262					
XQ 32, 33, 38-			285262					
XQ 42			285262					
XU 2		SOCKET,IC,14 PIN	276527	09922	DIL80P-108	1		

NOTE 1 = INCLUDES:

1 XSTR,MATCHED SET, NFN 434456 89536 434456
 4 RES,MF,36.5 +/-1%,1/8W 168187 91637 MFF1-836R5F
 1 FERRITE BEAD 321182 02214 56-590-4B
 1 PLATE,XSTR ADAPTER 332023 89536 332023

NOTE 2 = INCLUDES:

1 XSTR,MATCHED SET, FNF 419697 89536 419697
 4 RES,MF,36.5 +/-1%,1/8W 168187 91637 MFF1-836R5F
 1 FERRITE BEAD 321182 02214 56-590-4B
 1 PLATE,XSTR ADAPTER 332023 89536 332023

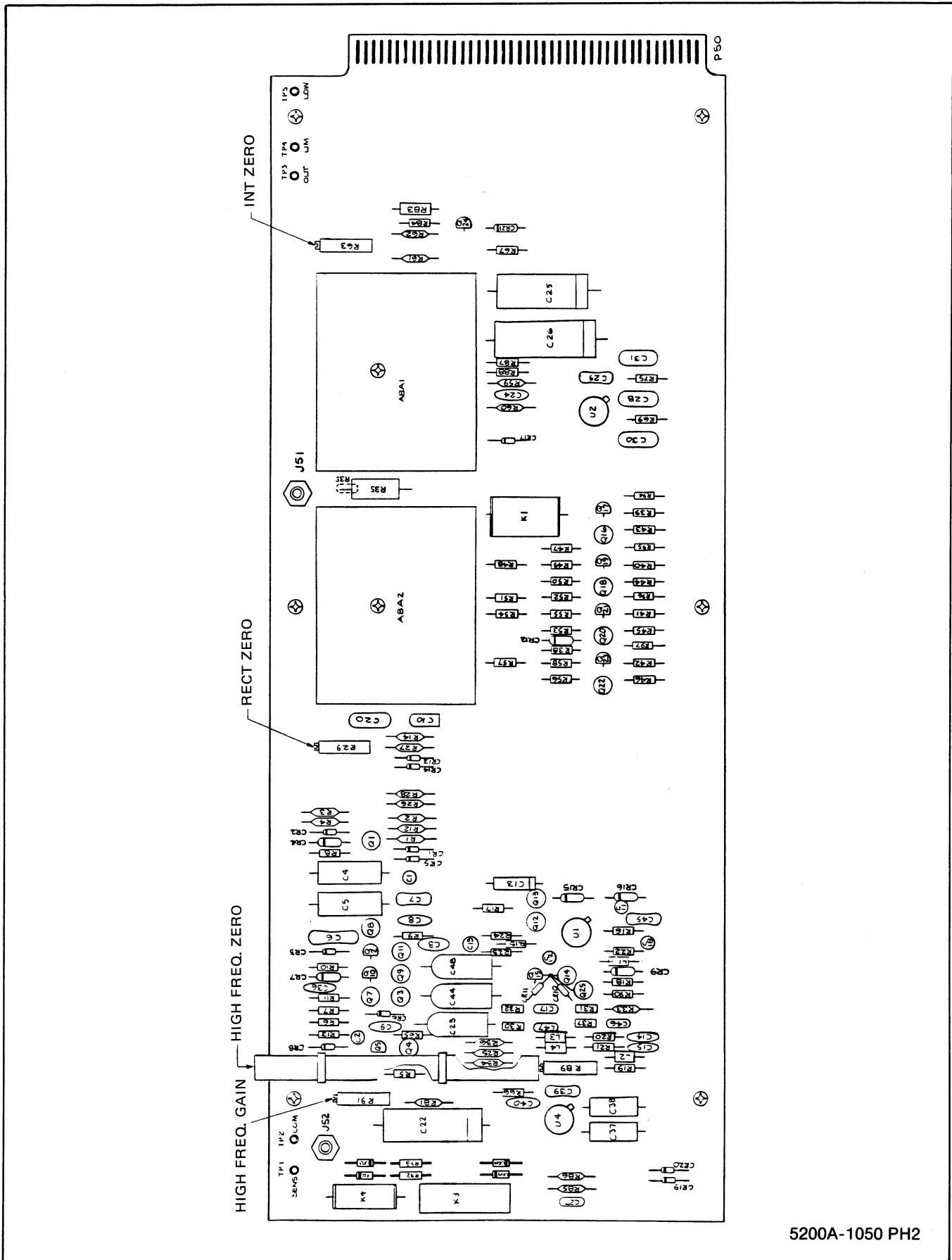
TABLE 5-10. AB AC-DC CONVERTER PCB ASSEMBLY (CONT.)
(SEE FIGURE 5-7.)

REFERENCE DESIGNATOR	FLUKE STOCK	MFRS SPLY CODE--	MANUFACTURERS PART NUMBER --OR GENERIC TYPE--	TOT QTY	R S -Q	N O T -E
A->NUMERICS->>	S	---	---	---	---	---
-----	-----	DESCRIPTION-----	---	---	---	---
A 1, 2	*	DC AMPLIFIER PCB SUBASSEMBLY	332627 89536	332627	2	1
A 3	*	RECTIFIER OUTPUT CIRCUIT SUBASSEMBLY	406959 89536	406959	1	
C 1, 2		CAP, TA, 2.2UF, +-20%, 20V	161927 56289	196D225X0020HA1	2	1
C 3, 45		CAP, MICA, 100PF, +-1%, 500V	226126 72136	DM15F101F	2	
C 4, 5		CAP, TA, 220UF, +-10%, 10V	182840 89536	182840	2	1
C 6		CAP, MICA, 1000PF, +-5%, 500V	148387 72136	DM19F102J	1	
C 7, 29, 39		CAP, MICA, 33PF, +-5%, 500V	160317 02799	DM15E330J	3	
C 8, 9, 14,		CAP, CER, 0.01UF, +80-20%, 100V, Z5V	149153 56289	C0238101F103M	7	
C 15, 24, 36,			149153			
C 40			149153			
C 10		CAP, TA, 68UF, +-20%, 6V	160242 89536	160242	1	
C 11, 18, 19		CAP, TA, 10UF, +-20%, 15V	193623 56289	196D106X0015A1	3	
C 12		CAP, TA, 1UF, +-10%, 35V	161919 56289	196D010X0035G	1	
C 13		CAP, POLYES, 0.001UF, +-10%, 200V	159582 56289	192F10292	1	
C 17		CAP, MICA, 270PF, +-5%, 500V	148452 72136	DM15F271J	1	
C 20, 23, 30,		CAP, POLYES, 0.022UF, +-10%, 250V	234484 73445	C280MAE/A22K	4	
C 31			234484			
C 22		CAP, POLYES, 2UF, +-10%, 200V	106443 89536	106443	1	
C 23, 44, 48		CAP, TA, 330UF, +-10%, 6V	193011 56289	150D330X9006S2	3	
C 25		CAP, POLYES, 2UF, +-20%, 100V	106963 89536	106963	1	
C 26		CAP, POLYPR, 0.33UF, +-10%, 50V	435511 89536	435511	1	
C 27		CAP, MICA, 68PF, +-5%, 500V	148510 72136	DM15F680J	1	
C 37, 38		CAP, TA, 22UF, +-10%, 15V	182816 89536	182816	2	
C 46		CAP, MICA, 10PF, +-10%, 500V	175216 89536	175216	1	
C 47		CAP, MICA, 5PF, +-0.5PF, 500V	148577 89536	148577	1	
CR 1, 2, 6,	*	DIODE, SI, BV= 75.0V, IO=150MA, 500 MW	203323 07910	1N4448	10	
CR 8, 13, 14,	*		203323			
CR 17, 19- 21	*		203323			
CR 3	*	ZENER, UNCOMP, 8.2V, 5%, 31.0MA, 1.0W	355073 12969	UZ8708	1	
CR 4	*	ZENER, UNCOMP, 6.2V, 5%, 20.0MA, 0.4W	325811 07910	1N753A	1	2
CR 5	*	ZENER, UNCOMP, 7.5V, 5%, 34.0MA, 1.0W	340687 89536	340687	1	
CR 7, 9	*	ZENER, UNCOMP, 6.8V, 5%, 20.0MA, 0.4W	260695 07910	1N754A	2	1
CR 12	*	ZENER, UNCOMP, 5.6V, 5%, 20.0MA, 0.4W	277236 07910	1N752A	1	
CR 15, 16	*	ZENER, UNCOMP, 10.0V, 5%, 12.5MA, 0.4W	246611 07910	1N961B	2	1
CR 23, 24	*	ZENER, UNCOMP, 4.3V, 5%, 20.0MA, 0.4W	180455 07910	1N749A	2	
H 1		WASHER, LOCK, SPLIT, STEEL, #4	110395 89536	110395	6	1
H 2		WASHER, LOCK, INTRNL, STEEL, #6	110338 89536	110338	2	
H 3		SCREW, MACH, PHP, S, STL, 4-40X1/4	256156 89536	256156	6	
H 4		SCREW, MACH, PHP, STL, 6-32X7/8	114868 89536	114868	2	
J 51, 52		CONN, COAX, SMB(M), PWB	352450 98291	51-051-0000	2	
K 1		RELAY, REED, 1 FORM A, 4.5VDC	340364 89536	340364	1	
K 3		RELAY, REED, 2 FORM A, 5VDC	340638 71482	MR82A05	1	
K 4		RELAY, REED, 1 FORM A, 4.5VDC	357558 71707	UF40068	1	
L 1- 4		CORE, TOROID, FERRITE, .079X.185X.291	219535 25088	B62110A5030X025C	4	2
MP 1		SPACER, SWAGED, RND, BRASS, 6-32X0.150	296145 89536	296145	2	
MP 2		SPACER, SWGD, RND, BRASS, 0.150IDX0.125	335075 89536	335075	2	
MP 3		SPACER, SWAGED, RND, BRASS, 4-40X0.187	335604 89536	335604	6	
MP 4		SLEEV, TEFLON, 0.027ID, NATURAL	196717 89536	196717	1	
MP 5		CABLE TIE, 4*L, 0.100*W, 0.75 DIA	172080 89536	172080	2	
MP 6		GUIDE, RETAINER-PCB, GREEN	341115 89536	341115	6	
MP 7		COVER, DC AMPLIFIER	341529 89536	341529	2	
MP 8		PCB, SHIELD, AC/DC CONVERTER	332353 89536	332353	1	
Q 1, 8	*	TRANSISTOR, SI, PNP, SMALL SIGNAL	225599 07263	2N4250	2	1
Q 2	*	TRANSISTOR, SI, PNP, SMALL SIGNAL	195974 64713	2N3906	1	1
Q 3, 4	*	MATCHED PAIR JUNCTION N-CHANNELEPOXY	357863 89536	357863	1	
Q 5, 10, 17,	*	TRANSISTOR, SI, NPN, SMALL SIGNAL	218396 04713	2N3904	7	2
Q 19, 21, 23,	*		218396			
Q 24	*		218396			
Q 7	*	TRANSISTOR, SI, PNP, HI-SPEED SWITCH	340471 89536	340471	1	1
Q 9	*	TRANSISTOR, SI, N-JFET, TO-92	363846 89536	363846	1	1
Q 11	*	TRANSISTOR, SI, PNP, SMALL SIGNAL	343012 89536	343012	1	
Q 12, 13, 16,	*	TRANSISTOR, SI, N-JFET, TO-92	288324 89536	288324	6	1
Q 18, 20, 22	*		288324			
R 1		RES, MF, 22.6K, +-1%, 0.125W, 100PPM	288431 91637	CMF552262F	1	
R 2		RES, MF, 43.2, +-1%, 0.125W, 100PPM	296731 91637	CMF5543R2F	1	
R 3, 4, 34		RES, MF, 1K, +-1%, 0.125W, 100PPM	168229 91637	CMF551001F	3	
R 5, 48, 50,		RES, CF, 1M, +-5%, 0.25W	573691 80031	CR251-4-5P1M	8	
R 51, 54, 54,			573691			
R 87, 88			573691			
R 6, 9		RES, CF, 100, +-5%, 0.25W	573014 80031	CR251-4-5P100E	2	
R 7		RES, CF, 2.7K, +-5%, 0.25W	573261 80031	CR251-4-5P2K7	1	
R 8, 23		RES, CF, 20, +-5%, 0.25W	572958 80031	CR251-4-5P20E	2	1
R 10		RES, CF, 510, +-5%, 0.25W	573139 89536	573139	1	
R 11		RES, CF, 16K, +-5%, 0.25W	641118 89536	641118	1	

TABLE 5-10. AB AC-DC CONVERTER PCB ASSEMBLY (CONT.)
(SEE FIGURE 5-7.)

REFERENCE DESIGNATOR	FLUKE STOCK	MFRS SPLY CODE	MANUFACTURERS PART NUMBER OR GENERIC TYPE	TOT QTY	R S T	N O T
A->NUMERICS->>>	NO	---	---	QTY	-Q	-E
R 12	241497	91637	CMF551101F	1		
R 13	573592	89536	573592	1		
R 14, 25	168260	91637	CMF551002F	2		
R 15, 16	368712	80031	CR251-4-5P5K1	1		
R 16	573329	80031	CR251-4-5P5K1	1		
R 17, 38	573394	80031	CR251-4-5P10K	2		
R 18, 84	573428	80031	CR251-4-5P15K	2		
R 19	574251	89536	574251	1		
R 20	573428	80031	CR251-4-5P15K	1		
R 21, 90	573345	89536	573345	2		
R 22, 23	348177	07263	FD7223	2		
R 22	381145	80031	CR251-4-5P22E	1		
R 24	441394	80031	CR251-4-5P1K3	1		
R 26, 27, 61	268797	91637	CMF551004F	3		
R 28	192898	89536	192898	1		
R 29, 63	268581	71450	190PC104B	2		
R 30- 32	460741	89536	460741	1	1	
R 33	229146	91637	CMF551211F	1		
R 35	492249	89536	492249	1		
R 36	267658	89536	267658	1		
R 37	342782	89536	342782	1		
R 39- 46, 65,	573584	80031	CR251-4-5P100K	10		
R 46	573584					
R 47	643676	89536	643676	1		
R 49, 52, 55,	572941	80031	CR251-4-5P10E	4		
R 58	572941					
R 53	643825	89536	643825	1		
R 56	682336	89536	682336	1		
R 59	235242	89536	235242	1		
R 60	235143	91637	CMF553831F	1		
R 62	343533	91637	CMF552150F	1		
R 67, 75	641134	89536	641134	2		
R 69	573451	89536	573451	1		
R 81	325654	89536	325654	1		
R 83	178392	89536	178392	1		
R 85	288514	91637	CMF554421F	1		
R 86	235226	91637	CMF552001F	1		
R 89	267856	11236	190PC102B	1		
R 91	267823	11236	190PC101B	1		
R 92, 93	441378	80031	CR251-4-5P1K2	2	1	
R 94- 97	573477	80031	CR251-4-5P27K	4		
TP 1- 5	179283	88245	2010B-5	7		
U 1	329912	12040	LM318H	1		
U 2, 4	271502	12040	LM301A	2	1	
X 1- 3	285262	71785	1-33-23-92-045	3		

NOTE 1 = REPLACE ENTIRE SUBASSEMBLY ONLY. COMPONENTS NOT REPLACEABLE.



5200A-1050 PH2

Figure 5-7. A8 AC-DC Converter PCB Assembly

TABLE 5-11. A8A3 RECTIFIER OUTPUT CIRCUIT ASSEMBLY

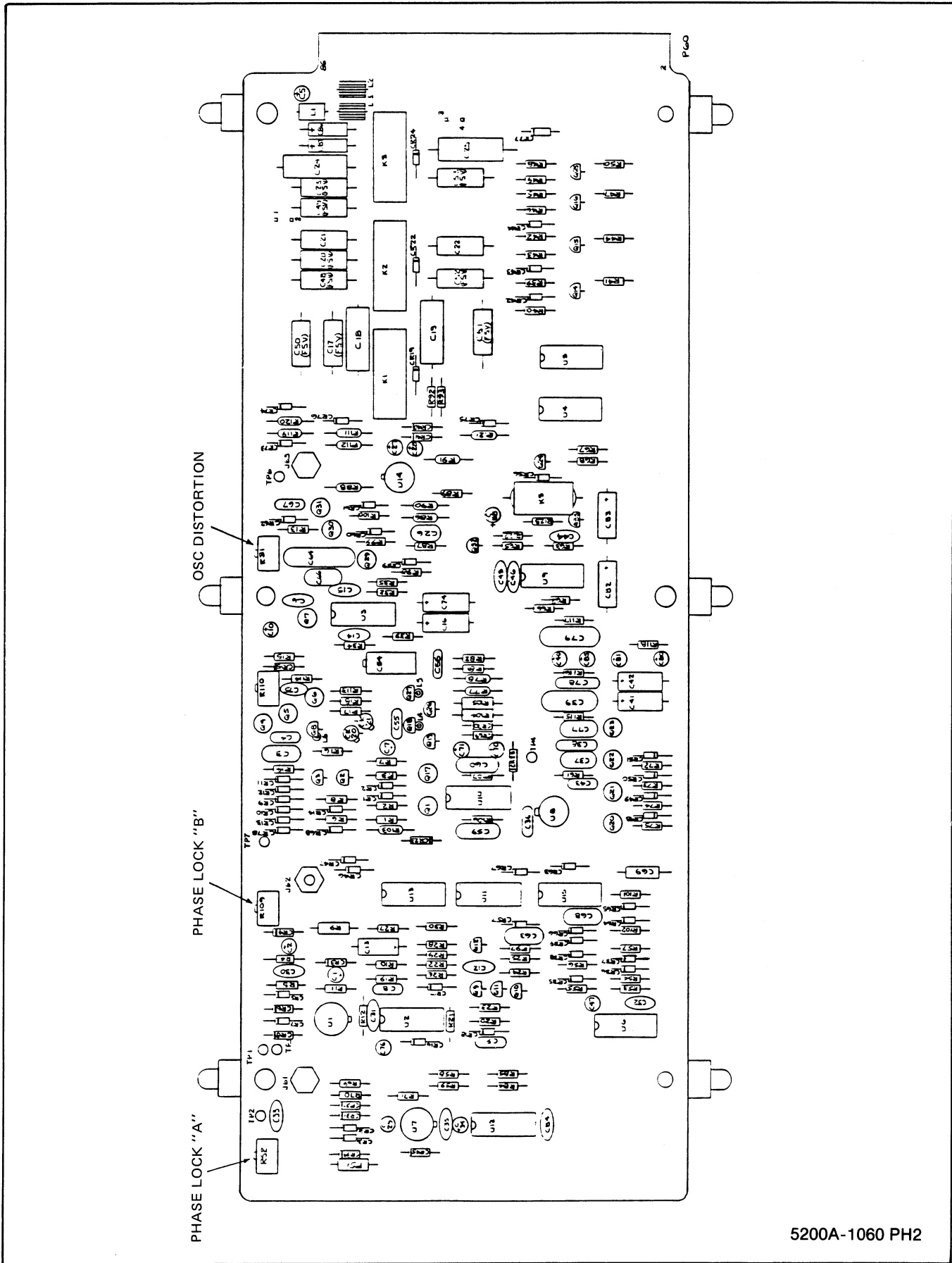
REFERENCE DESIGNATOR A->NUMERICS->	S	DESCRIPTION	FLUKE STOCK NO	MFRS SPLY CODE	MANUFACTURERS PART NUMBER OR GENERIC TYPE	TOT QTY	R S Q	N O T E
CR 10, 11	*	DIODE, SI, SCHOTTKY BARRIER, SMALL SIGNAL	408815	89536	408815	2	1	
Q 14	*	TRANSISTOR, SI, PNP, SMALL SIGNAL	343012	89536	343012	1	1	
Q 15	*	TRANSISTOR, SI, NPN, SMALL SIGNAL	248351	04713	MPS918	1	1	
Q 25	*	TRANSISTOR, SI, N-JFET, TO-92	288324	89536	288324	1		

TABLE 5-12. A9 OSCILLATOR CONTROL PCB ASSEMBLY
(SEE FIGURE 5-8.)

REFERENCE DESIGNATOR	A->NUMERICS	S	DESCRIPTION	FLUKE STOCK NO	MFRS SPLY CODE	MANUFACTURERS PART NUMBER OR GENERIC TYPE	TOT QTY	R S -Q	N O T -E
C	3, 68		CAP, MICA, 1000PF, +-5%, 500V	148387	72136	DM19F102J	2		
C	4, 9		CAP, MICA, 100PF, +-5%, 500V	148494	72136	DM15F101J	2		
C	6, 12, 30,		CAP, CER, 10PF, +-10%, 3000V, Z5U	105536	56289	40C362A1	4		
C	33			105536					
C	7, 10		CAP, TA, 10UF, +-20%, 20V	330662	56289	196D106X0020KA1	2	1	
C	8		CAP, MICA, 30PF, +-5%, 500V	340570	72136	DM15E300J	1		
C	13, 36, 87		CAP, TA, 6.8UF, +-10%, 35V	182782	56289	150D687X0035	3		
C	14, 15, 45,		CAP, CER, 0.01UF, +80-20%, 100V, Z5V	149153	56289	C0238101F103M	6		
C	46, 75, 84			149153					
C	16, 41, 72,		CAP, TA, 22UF, +-10%, 15V	182816	89536	182816	6		
C	74, 82, 83			182816					
C	17, 20, 48,		CAP POLYES, 0.1UF +-10%, 250V	161992	23445	C280AEA100K	6		
C	50-52			161992					
C	18, 19		CAP, POLYCA, 1.5UF, +-5%, 50V	343624	89536	343624	2		
C	21, 22		CAP, POLYCA, 0.15UF, +-5%, 50V	343616	84411	X46UW0.15-5P50V	2		
C	23, 49, 53		CAP, MICA, 10000 PF +-5%, 100V	148312	14655	CD302A103J0	3		
C	24, 25		CAP, POLYST, 0.013UF, +-5%, 100V	284893	89536	284893	2		
C	26		CAP, POLYES, 0.01UF, +-10%, 50V	309906	80031	75F1R5A100	1		
C	27, 28, 47,		CAP, TA, 1UF, +-10%, 35V	161919	56289	196D010X0035G	5		
C	70, 71			161919					
C	27, 28, 47,		CAP, TA, 10UF, +-20%, 15V	193623	56289	196D106X0015A1	5		
C	70, 71			193623					
C	31		CAP, CER, 82PF, +-10%, 500V, S3N	105585	72982	ED-82	1		
C	32		CAP, CER, 500PF, +-10%, 1000V, X5R	105692	71590	2DDH60N501K	1		
C	35		CAP, MICA, 15PF, +-5%, 500V	148569	72136	DM15C150J	1		
C	36		CAP, MICA, 33PF, +-5%, 500V	160317	02799	DM15E330J	1		
C	37, 77		CAP, MICA, 2000PF, +-5%, 500V	321158	14655	CD19FD202J0	2		
C	38, 78		CAP, POLYES, 0.022UF, +-10%, 250V	234484	73445	C280MAE/A22K	2		
C	39, 79		CAP, POLYES, 0.22UF, +-10%, 250V	194803	73445	C280MAEA220K	2		
C	40, 80, 81,		CAP, TA, 4.7UF, +-20%, 25V	161943	56289	196D475X0025KA1	4		
C	85			161943					
C	43		CAP, MICA, 200PF, +-5%, 500V	272880	14655	CD15FD201J0	1		
C	44		CAP, CER, 3.3PF, +-15%, 1000V, S2L	105577	72982	ED-3R3	1		
C	54		CAP, VAR, 2-14PF, 750V, GLASS	174912	89536	174912	1		
C	55		CAP, MICA, 10PF, +-10%, 500V	175216	89536	175216	1	2	
C	56		CAP, MICA, 330PF, +-5%, 500V	148445	72136	DM15E331J	1		
C	59, 60		CAP, POLYES, 0.1UF, +-10%, 100V	393439	80031	719A1	2		
C	63		CAP, POLYES, 0.047, +-10%, 250V	162008	73445	C280MAE/A47K	1		
C	64		CAP, POLYCA, 0.33UF, +-10%, 100V	284703	84411	X463UW	1	2	
C	66		CAP, POLYPR, 0.068UF, +-10%, 50V	424226	89536	424226	1		
C	67		CAP, POLYES, 0.01UF, +-10%, 400V	402818	73445	C280MAF/A10K	1		
C	69		CAP, POLYCA, 0.015UF, +-5%, 100V	310482	89536	310482	1		
C	76		CAP, TA, 39UF, +-20%, 6V	163915	56289	196D394X0020KA1	1		
C	88		CAP, TA, 2.2UF, +-20%, 20V	161927	56289	196D225X0020HA1	1		
CR	1, 2, 5,	*	DIODE, SI, BV= 75.0V, IO=150MA, 500 MW	203323	07910	1N4448	47	1	
CR	7, 9-14,	*		203323					
CR	16-19, 22,	*		203323					
CR	30, 32, 35-	*		203323					
CR	37, 42-44,	*		203323					
CR	46-51, 56,	*		203323					
CR	57, 59-68,	*		203323					
CR	73-78	*		203323					
CR	3, 6, 8,	*	ZENER, UNCOMP, 4.3V, 5%, 20.0MA, 0.4W	180455	07910	1N749A	6		
CR	31, 33, 45	*		180455					
CR	4, 15, 34	*	ZENER, UNCOMP, 5.6V, 5%, 20.0MA, 0.4W	277236	07910	1N752A	3	1	
CR	20, 21	*	DIODE, SI, N-JFET, CURRENT REG, IF=2.0 MA	284927	07910	TCR5305	2		
CR	38, 39	*	DIODE, SI, BV= 20.0V, IO= 50MA, 250 MW	375907	07263	FD7223	2	8	
CR	40, 41	*	ZENER, UNCOMP, 18.0V, 5%, 7.0MA, 0.4W	327973	04713	1N967B	2	1	
CR	69, 70	*	ZENER, UNCOMP, 20.0V, 5%, 6.2MA, 0.4W	180463	04713	1N968B	2	1	
J	61-63		CONN, COAX, SMB(M), PWB	352450	98291	51-051-0000	3	1	
K	1-3		RELAY, REED, 2 FORM A, 15VDC	341024	89536	341024	3		
K	5		RELAY, REED, 1 FORM A, 12VDC	352458	89536	352458	1		
L	1		CORE, TOROID, FERRITE, .079X.185X.291	219535	25088	B62110A5030X025C	1		
L	1, 20		CHOKE, 6TURN	320911	89536	320911	2		
L	4-6		CORE, TOROID, FERRITE, .047X.138X.118	321182	89536	321182	3		
MP	1		RADIAL FIN, FV.275.335 CASE, NF-207	104646	89536	104646	1		
MP	2		FENCE, OSC. CONTROL	345843	89536	345843	1	1	
Q	1, 17	*	FET, SELECTED SET, LOW IDSS	337774	89536	337774	1		
Q	2, 10, 12,	*	TRANSISTOR, SI, PNP, SMALL SIGNAL	195974	64713	2N3906	10	1	
Q	14-16, 19,	*		195974					
Q	24-26	*		195974					
Q	3, 8, 9,	*	TRANSISTOR, SI, NPN, SMALL SIGNAL	218396	04713	2N3904	7	1	
Q	11, 18, 27,	*		218396					
Q	33	*		218396					

TABLE 5-12. A9 OSCILLATOR CONTROL PCB ASSEMBLY (CONT.)
 (SEE FIGURE 5-8.)

REFERENCE DESIGNATOR	A->NUMERICS	S	DESCRIPTION	FLUKE STOCK NO	MFRS SPLY CODE	MANUFACTURERS PART NUMBER OR GENERIC TYPE	TOT QTY	R S T	N O T
Q	4, 29- 31	*	TRANSISTOR, SI, N-JFET, TO-92, SWITCH	261578	15818	U2366J	4	1	
Q	5, 6	*	MATCHED PAIR JUNCTION N-CHANNELEPOXY	357863	89536	35786J	1		
Q	7	*	TRANSISTOR, SI, PNP, HI-SPEED SWITCH	340471	89536	340471	1		
Q	20- 23, 32	*	TRANSISTOR, SI, N-JFET, TO-92	288324	89536	288324	5	1	
R	1, 12, 17,		RES, CF, 5.1K, +-5%, 0.25W	573329	80031	CR251-4-5P5K1	6		
R	19, 58, 59			573329					
R	2, 61, 67,		RES, CF, 10K, +-5%, 0.25W	573394	80031	CR251-4-5P10K	8		
R	82, 115-117,			573394					
R	122			573394					
R	3		RES, CF, 510, +-5%, 0.25W	573139	89536	573139	1		
R	4		RES, CF, 1.5K, +-5%, 0.25W	343418	80031	CR251-4-5P1K5	1		
R	5, 7, 8,		RES, CF, 3.6K, +-5%, 0.25W	442343	80031	CR251-4-5P3K6	2		
R	18, 25, 30,			442343					
R	70			442343					
R	6		RES, CF, 27K, +-5%, 0.25W	573477	80031	CR251-4-5P27K	1		
R	7, 8, 18,		RES, CF, 3.6K, +-5%, 0.25W	573295	89536	573295	5		
R	25, 30			573295					
R	9, 51		RES, CC, 560, +-5%, 0.5W	109124	89536	109124	2		
R	10, 20, 102		RES, CF, 18K, +-5%, 0.25W	573436	89536	573436	3		
R	11, 71		RES, CF, 33, +-5%, 0.25W	414524	80031	CR251-4-5P330E	2	1	
R	13, 98-100		RES, CF, 1M, +-5%, 0.25W	573691	80031	CR251-4-5P1M	3		
R	14		RES, CF, 68, +-5%, 0.25W	414532	80031	CR251-4-5P68E	1		
R	15		RES, CF, 3.9K, +-5%, 0.25W	342600	80031	CR251-4-5P3K9	1		
R	16, 55, 69		RES, CF, 4.7K, +-5%, 0.25W	573311	80031	CR251-4-5P4K7	3		
R	21, 53, 89,		RES, CF, 1K, +-5%, 0.25W	573170	80031	CR251-4-5P1K	5		
R	92, 93			573170					
R	22, 54, 55		RES, CF, 1.5K, +-5%, 0.25W	573212	80031	CR251-4-5P1K5	3		
R	23, 27, 28		RES, CF, 750, +-5%, 0.25W	573162	80031	CR251-4-5P750E	3		
R	26, 29		RES, CF, 360, +-5%, 0.25W	573097	80031	CR251-4-5P360E	2		
R	31		RES, VAR, CERM, 20K, +-10%, 0.5W	291609	89536	291609	1		
R	32, 56, 57		RES, CF, 6.8K, +-5%, 0.25W	573352	89536	573352	3		
R	33		RES, CF, 15K, +-5%, 0.25W	573428	80031	CR251-4-5P15K	1		
R	34, 40, 43,		RES, CF, 16K, +-5%, 0.25W	641118	89536	641118	6		
R	46, 49, 66			641118					
R	39, 42, 45,		RES, CF, 82K, +-5%, 0.25W	573568	80031	CR251-4-2P82K	4		
R	48			573568					
R	41, 44, 47,		RES, CF, 51K, +-5%, 0.25W	573535	89536	573535	7		
R	50, 65, 114,			573535					
R	123			573535					
R	52, 109		RES, VAR, CERM, 50K, +-10%, 0.5W	288290	89536	288290	2		
R	62		RES, CF, 5.6K, +-5%, 0.25W	442350	80031	CR251-4-5P5K6	1		
R	63, 81		RES, CF, 20K, +-5%, 0.25W	573444	80031	CR251-4-2P20K	2		
R	68		RES, CF, 8.2K, +-5%, 0.25W	573378	89536	573378	1		
R	68		RES, CF, 24K, +-5%, 0.25W	573469	89536	573469	1		
R	72- 75		RES, CF, 510K, +-5%, 0.25W	442491	80031	CR251-4-5P510E	4	1	
R	77, 78		RES, MF, 1.5K, +-1%, 0.125W, 100PPM	313098	91637	CMF551501F	2		
R	84, 85		RES, CF, 470, +-5%, 0.25W	573121	80031	CR251-4-5P470E	2		
R	86		RES, MF, 10K, +-1%, 0.125W, 100PPM	168260	91637	CMF551002F	1		
R	87		RES, CF, 3K, +-5%, 0.25W	441527	80031	CR251-4-5P3K	1		
R	88		RES, MF, 30.1K, +-1%, 0.125W, 100PPM	168286	91637	MFF1-83012F	1		
R	90, 91		RES, MF, 26.7K, +-1%, 0.125W, 100PPM	245779	91637	CMF552672F	2		
R	97		RES, MF, 34K, +-1%, 0.125W, 100PPM	261602	91637	CMF553402F	1	1	
R	101		RES, CF, 13K, +-5%, 0.25W	573410	89536	573410	1		
R	103		RES, MF, 31.6K, +-1%, 0.125W, 100PPM	261610	91637	CMF553162F	1		
R	104, 105		RES, CC, 620, +-5%, 0.5W	108704	89536	108704	2		
R	106, 107		RES, CF, 20, +-5%, 0.25W	572958	80031	CR251-4-5P20E	2	1	
R	110		RES, VAR, CERM, 100K, +-10%, 0.5W	288308	89536	288308	1		
R	111		RES, MF, 18.2K, +-1%, 0.125W, 100PPM	236810	91637	CMF55	1		
R	112		RES, MF, 36.5K, +-1%, 0.125W, 100PPM	235309	91637	CMF553652F	1		
R	113		RES, CF, 3.3K, +-5%, 0.25W	573287	80031	CR251-4-5P3K3	1		
R	118		RES, CF, 10K, +-5%, 0.25W	348839	80031	CR251-4-5P10K	1		
R	119-121		RES, MF, 12.1K, +-1%, 0.125W, 100PPM	234997	91637	CMF551212F	3		
TP	1- 7		TERM, UNINSUL, FEEDTHRU, HOLE, TURRET	179283	88245	2010B-5	7		
U	1, 7	*	IC, COMPARATOR, DIFFERENTIAL, TO-99	343343	12040	LM7UA710CH	2	1	
U	2, 11, 15	*	IC, TTL, DUAL RETRIG MONOSTABL MULTIVBR	310235	01295	SN74123N	3		
U	3, 9	*	IC, BPLR, FOUR-QUADRANT MULT, 16 PIN DIP	343335	89536	343335	2		
U	4	*	IC, TTL, QUAD 2 INPUT NAND GATE	292953	01295	SN7400N	1	1	
U	5	*	IC, TTL, BCD-DECIMAL 4-10 LINE DECODER	293175	01295	SN74145N	1	1	
U	6	*	IC, TTL, PHASE FREQUENCY DETECTOR	320721	04713	MC4044P	1	1	
U	8	*	IC, OP AMP, GEN PURPOSE, TO-99/TO-78	271502	12040	LM301A	1		
U	10	*	IC, VOLT REG, FIXED +/-15 V, 0.1 AMPS	339770	89536	339770	1	1	
U	12	*	IC, TTL, 4BIT EXCLUSIVE-NOR COMPARATOR	293258	18324	N8442N	1	1	
U	13	*	IC, TTL, TRIPLE 3 INPUT NAND GATE	292995	01295	SN7410N	1	1	
U	14	*	IC, OP AMP, SELECTED 40V/US SLEW RATE	329912	12040	LM318H	1	1	
X	1, 2		SOCKET, TRANS, TO-5	285262	71785	1-33-23-92-045	2		
XU	3, 9		SOCKET, IC, 16 PIN	276535	91506	316-A639D	2		
XU	10		SOCKET, IC, 14 PIN	276527	09922	DILB8P-108	1		



5200A-1060 PH2

Figure 5-8. A9 Oscillator Control PCB Assembly

TABLE 5-13. A10 OSCILLATOR PCB ASSEMBLY
 (SEE FIGURE 5-9.)

REFERENCE DESIGNATOR A->NUMERICS----->	S	-----DESCRIPTION-----	FLUKE STOCK --NO--	MFRS SPLY CODE--	MANUFACTURERS PART NUMBER --OR GENERIC TYPE--	TOT QTY	R S -Q	N O -E
C	1- 4, 11,	CAP, TA, 1UF, +-10%, 35V	161919	56289	196D010X0035G	8	1	
C	22, 32, 74		161919					
C	5, 62	CAP, MICA, 15PF, +-5%, 500V	148569	72136	DM15C150J	2		
C	7, 18, 27	CAP, MICA, 680PF, +-5%, 500V	148403	14655	CD19FD681J0	3		
C	8, 16, 26	CAP, MICA, 33PF, +-5%, 500V	160317	02799	DM15E330J	3		
C	9, 17, 28	CAP, CER, 300PF, +-10%, 500V, X7W	105734	71590	BB60301KW7W	3		
C	12, 14, 15,	CAP, CER, 0.025UF, +-20%, 100V, Z5W	168435	56289	C023B101H253M	6		
C	24, 25, 33		168435					
C	13, 23, 34	CAP, TA, 15UF, +-20%, 6V	161935	56289	196D156X0006-KA1	3		
C	19, 29	CAP, MICA, 22PF, +-5%, 500V	148551	02799	DM15C220J	2		
C	35- 37	CAP, CER, 0.01UF, +80-20%, 100V, Z5V	149153	56289	C023B101F103M	3		
C	38, 43	* CAP, MICA, 120 PF +-5%, 500V	148486	14655	CD15FD121J0	2		
C	39, 44	CAP, MICA, 1300PF, +-5%, 500V	182881	14655	CD19FD132J0	2		
C	40, 46	CAP, MICA, 130PF, +-1%, 500V	368803	14655	CD15FD131A0	2		
C	41, 42, 45	CAP, VAR, 2-14PF, 750V, GLASS	174912	89536	174912	3		
C	47, 51	CAP, MICA, 4PF, +-0.5PF, 500V	190397	72136	DM15C040E	2		
C	48, 52	CAP, MICA, 8PF, +-10%, 500V	216986	72136	DM15C080K	2		
C	49, 53, 71	CAP, MICA, 10PF, +-10%, 500V	175216	89536	175216	3		
C	50, 54, 55,	CAP, MICA, 2PF, +-0.5PF, 500V	175208	72136	DM15C020E	4		
C	58		175208					
C	56, 59	CAP, CER, 1.0PF, +-0.25PF, 600V, COK	105908	89536	105908	2	2	
C	57, 60	CAP, CER, 0.5PF, +-0.25PF, 500V, COK	174896	89536	174896	2		
C	61, 62	* CAP, MICA, 5 PF +-0.5 PF, 500V	148577	89536	148577	2		
C	63- 70	CAP, CER, 0.22UF, +-20%, 50V, Z5U	309849	71590	CW3C0C224K	8		
C	72, 73	CAP, AL, 470UF, +50-10%, 25V	168153	89536	168153	2		
CR	3, 10, 15,	* DIODE, SI, BV= 75.0V, IO=150MA, 500 MW	203323	07910	1N4448	7		
CR	19, 20, 22,	*	203323					
CR	25	*	203323					
CR	5, 6, 11,	* ZENER, UNCOMP, 6.8V 5%, 20.0MA, 0.4W	260695	07910	1M754A	6	1	
CR	12, 17, 18,	*	260695					
CR	26, 27	*	260695					
H	1	WASHER, LOCK, SPLIT, STEEL, #4	110395	89536	110395	6		
H	2	SCREW, MACH, PHP, S. STL, 4-40X1/4	256156	89536	256156	6		
K	1	COIL, REED, DUAL, 145AT, 0.47H, 0.55W, .82L	229971	89536	229971	1		
L	1, 2	CHOKE, 6TURN	320911	89536	320911	2		
MF	1	SPACER, MOUNT, NYLON	152207	07047	10123-DAP	6		
MF	2	SHIELD, OSCILLATOR	341743	89536	341743	1		
Q	1- 3, 5-	* TRANSISTOR, SI, NPN, SMALL SIGNAL	218396	04713	2N3904	16	3	
Q	17	*	218396					
Q	18- 24, 34,	* TRANSISTOR, SI, N-JFET, TO-92, SWITCH	261578	15818	U2366J	13	1	
Q	36- 40	*	261578					
Q	25- 33, 41-	* TRANSISTOR, SI, N-JFET, TO-92	288324	89536	288324	24	4	
Q	51, 58, 59,	*	288324					
Q	66, 67	*	288324					
Q	52, 53, 60,	* TRANSISTOR, SI, PNP, HI-SPEED SWITCH	340471	89536	340471	6	5	
Q	61, 68, 69	*	340471					
Q	54, 62, 70	* TRANSISTOR, SI, NPN, SMALL SIGNAL	333898	89536	333898	3		
Q	55, 63, 71	* TRANSISTOR, SI, NPN, SMALL SIGNAL	168716	07263	S19254	3		
Q	56, 64, 72	* TRANSISTOR, SI, NPN, SMALL SIGNAL, HI-FT	340554	89536	340554	3	1	
Q	57, 65, 73	* TRANSISTOR, SI, PNP, SMALL SIGNAL	340497	89536	340497	3	1	
R	1, 4	RES, MF, 1K, +-0.1%, 0.125W, 25PPM	340380	91637	CMF55	2		
R	2	RES, VAR, CERM, 100K, +-10%, 0.5W	288308	89536	288308	1		
R	3	RES, CC, 27M, +-5%, 0.25W	221994	89536	221994	1		
R	5, 159	RES, CF, 27, +-5%, 0.25W	641357	89536	641357	2		
R	6, 7, 60,	RES, CF, 36, +-5%, 0.25W	643817	89536	643817	4		
R	161		643817					
R	8, 162	RES, CF, 15, +-5%, 0.25W	641043	89536	641043	2		
R	9, 83, 86,	RES, CF, 10K, +-5%, 0.25W	348839	80031	CR251-4-5F10K	7		
R	110, 112, 134,		348839					
R	142		348839					
R	12, 61	RES, MF, 4.93K, +-0.1%, 0.125W, 100PPM	340406	89536	340406	2		
R	13, 14, 62,	RES, MF, 2.43K, +-0.1%, 0.125W, 50PPM	306977	89536	306977	4		
R	63		306977					
R	15, 64	RES, MF, 9.93K, +-0.1%, 0.125W, 100PPM	340398	89536	340398	2		
R	16, 65	RES, MF, 12.4K, +-1%, 0.125W, 100PPM	261644	91637	CMF551242F	2		
R	17, 21, 66,	RES, MF, 24.9K, +-1%, 0.125W, 100PPM	291369	91637	CMF552492F	6		
R	70, 164, 178		291369					
R	18, 22, 23,	RES, MF, 49.9K, +-1%, 0.125W, 100PPM	268821	91637	CMF554992F	10		
R	67, 71, 72,		268821					
R	166, 168, 180,		268821					
R	182		268821					
R	19, 68	RES, MF, 100K, +-1%, 0.125W, 100PPM	248807	91637	CMF551003F	2		
R	20, 69	RES, MF, 124K, +-1%, 0.125W, 100PPM	288407	91637	CMF551243F	2		
R	24, 28- 30,	RES, CF, 62K, +-5%, 0.25W	573543	89536	573543	12		

TABLE 5-13. A10 OSCILLATOR PCB ASSEMBLY (CONT.)
(SEE FIGURE 5-9.)

REFERENCE DESIGNATOR A--NUMERICS-->	S	DESCRIPTION	FLUKE STOCK --NO--	MFRS SFLY CODE--	MANUFACTURERS PART NUMBER --OR GENERIC TYPE--	TOT QTY	R S T	N O T E
R 32- 36, 73, R 170, 184			573543					
R 25, 74, 172, R 186		RES, CF, 47K, +-5%, 0.25W	573543					
R 26, 75, 174, R 188		RES, CF, 51K, +-5%, 0.25W	573527	80031	CR251-4-5P47K	4		
R 27, 50- 60, R 76, 176, 190		RES, CF, 100K, +-5%, 0.25W	573527					
R 31		RES, CF, 180K, +-5%, 0.25W	573535	89536	573535	4		
R 37- 44		RES, CF, 200K, +-5%, 0.25W	573584	80031	CR251-4-5P100K	15		
R 45- 48, 103, R 130, 157		RES, CF, 15K, +-5%, 0.25W	348946	80031	CR251-4-5P180K	1		
R 49, 193, 195		RES, CF, 30K, +-5%, 0.25W	573634	80031	CR251-4-5P200K	8	2	
R 77, 85, 105, R 113, 135, 140		RES, CF, 100, +-5%, 0.25W	573428	80031	CR251-4-5P15K	7		
R 78, 79		RES, CF, 51, +-5%, 0.25W	573428					
R 80, 108, 138		RES, CF, 2.4K, +-5%, 0.25W	368753	80031	CR251-4-5P30K	3		
R 81, 82, 109, R 131-133		RES, CF, 20K, +-5%, 0.25W	573014	80031	CR251-4-5P100E	6		
R 89, 116, 141		RES, CF, 5.6K, +-5%, 0.25W	573014					
R 93, 120, 147		RES, CF, 2.7, +-5%, 0.25W	572990	89536	572990	2		
R 94, 96, 122, R 124, 149, 151		RES, CF, 13K, +-5%, 0.25W	573253	89536	573253	3		
R 97, 121, 140		RES, CF, 1.5K, +-5%, 0.25W	573444	80031	CR251-4-2P20K	6		
R 98, 125, 152		RES, CF, 220, +-5%, 0.25W	573444					
R 99, 126, 153		RES, CF, 8.2K, +-5%, 0.25W	442350	80031	CR251-4-5P5K6	3		
R 100, 127, 154		RES, CF, 4.3K, +-5%, 0.25W	640953	89536	640953	3		
R 101, 102, 128, R 129, 155, 156		RES, CF, 20, +-5%, 0.25W	441402	80031	CR251-4-5P13K	6		
R 104, 111, 139		RES, CF, 20, +-5%, 0.25W	441402					
R 106, 107, 136, R 137		RES, CF, 270, +-5%, 0.25W	573212	80031	CR251-4-5P1K5	3		
R 143, 177		RES, MF, 3.09K, +-1%, 0.125W, 100PPM	574244	80031	CR251-4-5P220E	3		
R 145, 179		RES, MF, 6.19K, +-1%, 0.125W, 100PPM	573378	89536	573378	3		
R 167, 181		RES, MF, 2.8K, +-1%, 0.125W, 100PPM	441576	80031	CR251-4-5P4K3	3		
R 169, 183		RES, CF, 3.3K, +-5%, 0.25W	572958	80031	CR251-4-5P20E	6		
R 171, 175, 185, R 189		RES, CF, 1K, +-5%, 0.25W	442202	80031	CR251-4-5P20E	3	1	
R 173, 187		RES, CF, 510, +-5%, 0.25W	573071	89536	573071	4		
R 192, 194		RES, CF, 330, +-5%, 0.25W	235150	91637	CMF55	2		
R 196-210		RES, CF, 27K, +-5%, 0.25W	283911	91637	CMF556191F	2		
TF 1- 7		TERM, UNINSUL, FEEDTHRU, HOLE, TURRET	325670	91637	CMF552801F	2		
U 1- 3	*	IC, OP AMP, GEN PURPOSE, TO-99/TO-78	573287	80031	CR251-4-5P3K3	2		
V 10		GUIDE, RETAINER-PCB VIOLET	573170	80031	CR251-4-5P1K	4		
			573170					
			573139	89536	573139	2		
			368720	80031	CR251-4-5P330E	2		
			573477	80031	CR251-4-5P27K	15		
			179283	88245	2010B-5	7	1	
			271502	12040	LM301A	3		
			341131	89536	341131	6		

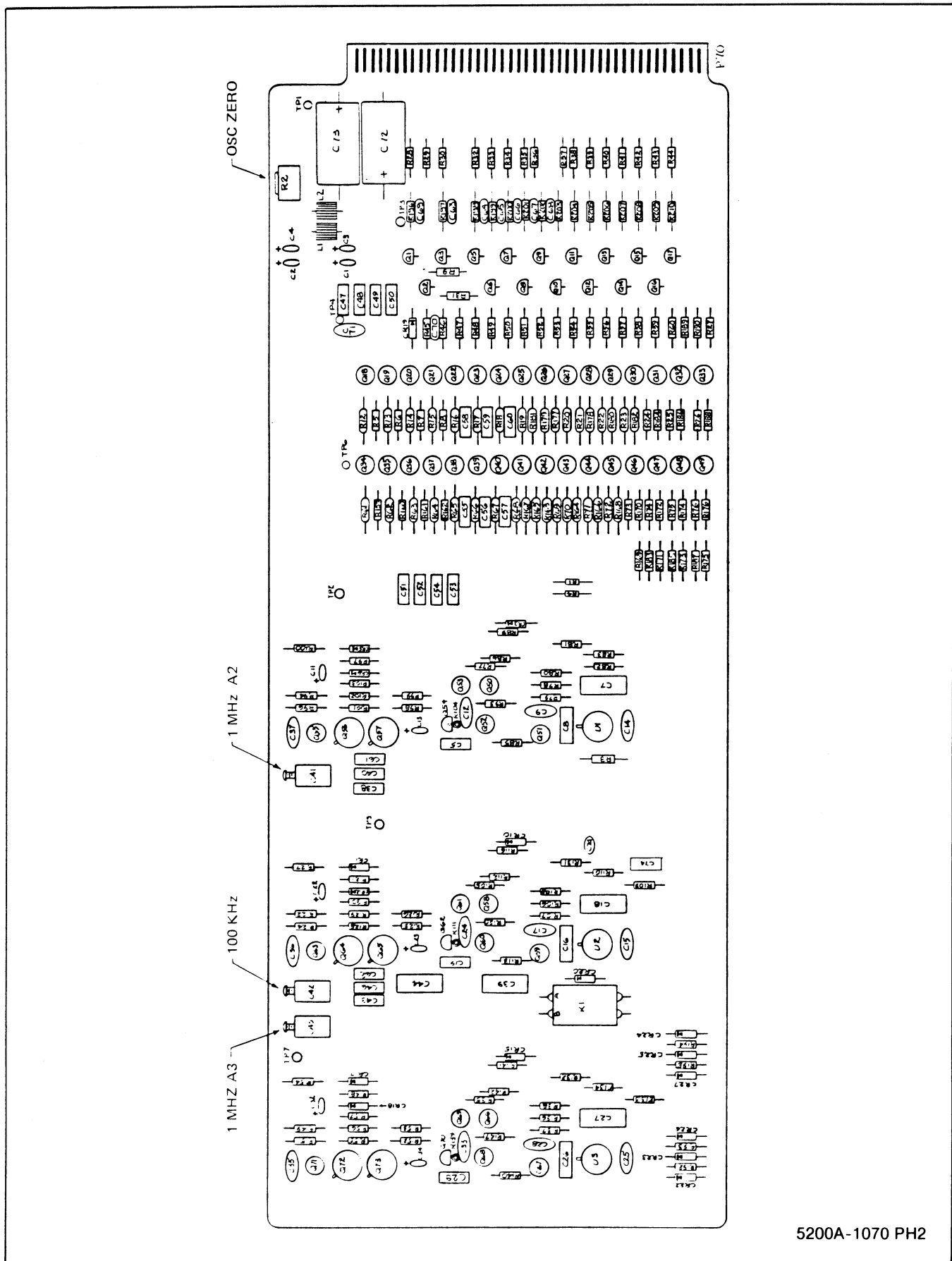


Figure 5-9. A10 Oscillator PCB Assembly

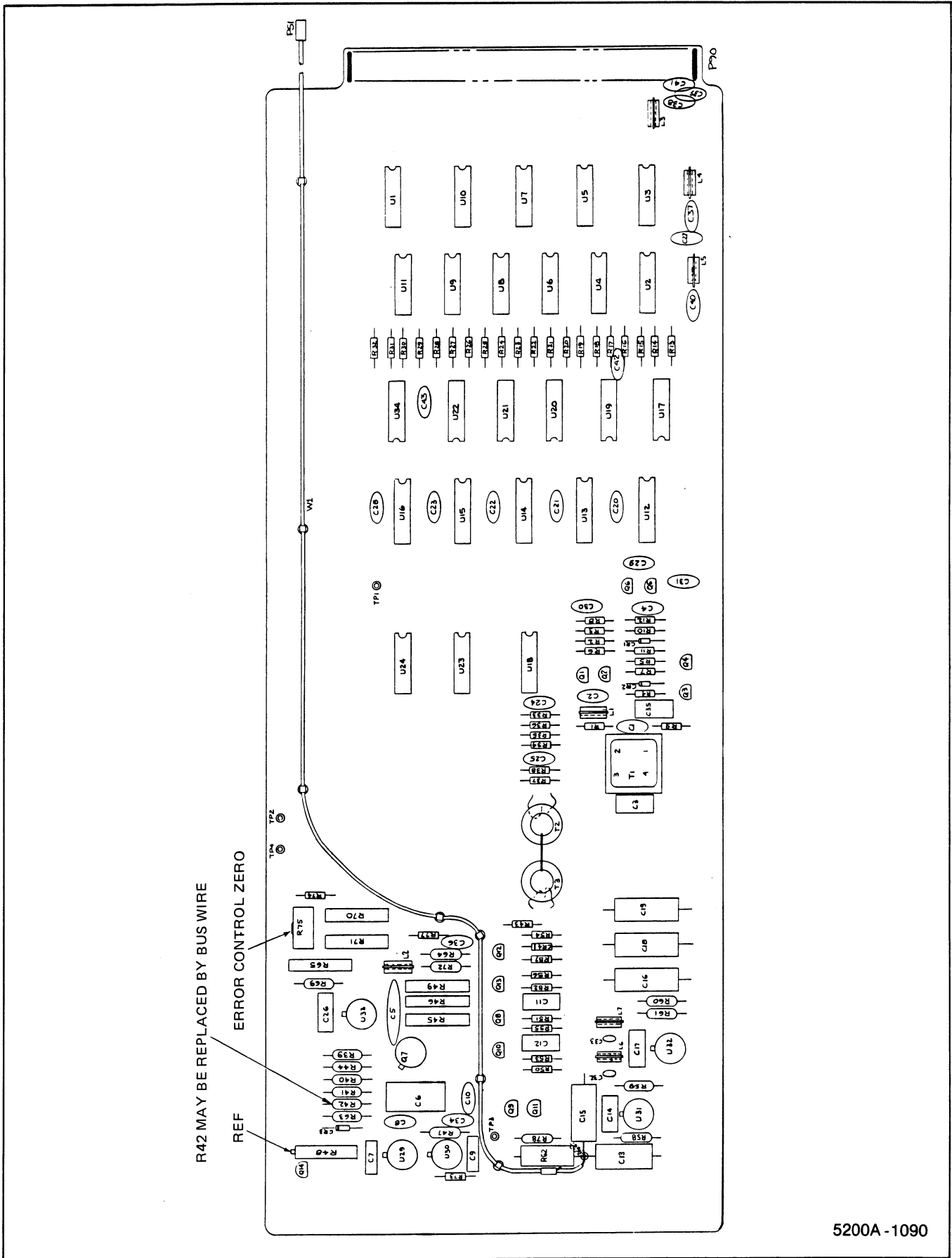
5200A-1070 PH2

TABLE 5-14. A12 REFERENCE PCB ASSEMBLY
(SEE FIGURE 5-10.)

REFERENCE DESIGNATOR	FLUKE STOCK	MFRS SPLY CODE	MANUFACTURERS PART NUMBER OR GENERIC TYPE	TOT QTY	R S -Q	N O T -E
A->NUMERICS----->	S-----DESCRIPTION-----	---NO---	---	---	---	---
C 1, 4	CAP, CER, 0.0012UF, +-10%, 500V, Z5R	106732	71590 CF122	2		
C 2, 8, 10,	CAP, CER, 0.01UF, +80-20%, 100V, Z5V	149153	56289 C0238101F103M	4		
C 34		149153				
C 3	CAP, MICA, 220PF, +-5%, 500V	170423	72136 DM15F221J	1		
C 4	* ZENER, UNCOMP, 5.6V, 5%, 20.0MA, 0.4W	277236	07910 1N752A	1		
C 5	CAP, CER, 0.1UF, +-20%, 100V, Z5V	149146	56289 33C41B6	1		
C 6	CAP, MICA, 3900PF, +-5%, 500V	160325	14655 CD19FD392J0	1		
C 7	CAP, MICA, 39PF, +-5%, 500V	148544	72136 DM15E390J	1		
C 9	CAP, MICA, 56PF, +-5%, 500V	148528	72136 DM15F560J	1		
C 11, 12, 14,	CAP, MICA, 33PF, +-5%, 500V	160317	02799 DM15E330J	5		
C 17, 26		160317				
C 13, 15, 16,	CAP, POLYCA, 1.25UF, +-10%, 100V	340562	89536 340562	5		
C 18, 19		340562				
C 20- 25, 28-	CAP, CER, 0.025UF, +-20%, 100V, Z5W	168435	56289 C0238101H253M	10		
C 31		168435				
C 27	CAP, TA, 10UF, +-20%, 15V	193623	56289 196D106X0015A1	1	1	
C 32, 33, 37-	CAP, TA, 4.7UF, +-20%, 25V	161943	56289 196D475X0025KA1	6		
C 40		161943				
C 35	CAP, MICA, 10PF, +-10%, 500V	175216	89536 175216	1		
C 36	CAP, TA, 0.47UF, +-20%, 35V	161349	56349 196D474X0035HA1	1		
C 41	CAP, TA, 39UF, +-20%, 6V	163915	56289 196D394X0020KA1	1		
C 42, 43	CAP, CER, 0.22UF, +-20%, 50V, Z5U	309849	71590 CW3C0C224K	2	1	
C 45	RES WW 86.75K .1% 5PFM .5W CARD	339531	89536 339531	1		
CR 1- 3	* DIODE, SI, BV= 75.0V, IO=150MA, 500 MW	203323	07910 1N4448	3	1	
H 1	WASHER, FLAT, MYLAR, 0.281 ID, 0.006 THK	381459	89536 381459	2		
L 1- 7	CHOKO, 6TURN	320911	89536 320911	7		
MP 1	SPACER, RND, SOLUBLE, 0.062IDX0.1560D	296319	32559 T0806	12		
MP 2	SPACER, MOUNT, NYLON	152207	07047 10123-DAP	2		
MP 3	FENCE SET, REFERENCE ASSY	339671	89536 339671	1		
MP 4	* GUIDE RETAINER, WHITE	341156	89536 341156	6		
Q 1, 2, 14	* TRANSISTOR, SI, PNP, SMALL SIGNAL	229898	04713 MFS6522	3		
Q 3- 5, 12,	* TRANSISTOR, SI, NPN, SMALL SIGNAL	248351	04713 MFS918	5		
Q 13		248351				
Q 6	* TRANSISTOR, SI, PNP, SMALL SIGNAL	226290	04713 MFS3640	1		
Q 7	* TRANSISTOR, SI, NPN, SMALL SIGNAL, HI-FT	340554	89536 340554	1	1	
Q 8, 10	* TRANSISTOR, SI, NPN, SMALL SIGNAL	218396	04713 2N3904	2	1	
Q 9, 11	* TRANSISTOR, SI, N-JFET, TO-92, SWITCH	261578	15818 U2366J	2	1	
R 1, 73	RES, CF, 3.9K, +-5%, 0.25W	573303	80031 CR251-4-5P3K9	2		
R 2, 4, 57	RES, CF, 470, +-5%, 0.25W	573121	80031 CR251-4-5P470E	3		
R 3, 52, 54,	RES, CF, 1K, +-5%, 0.25W	573170	80031 CR251-4-5P1K	4		
R 55		573170				
R 5, 6, 11	RES, CF, 270, +-5%, 0.25W	573071	89536 573071	3		
R 8	RES, CF, 100, +-5%, 0.25W	573014	80031 CR251-4-5P100E	1		
R 8, 50	RES, CF, 1.8K, +-5%, 0.25W	573220	80031 CR251-4-5P1K8	2		
R 9	RES, CF, 68, +-5%, 0.25W	643783	89536 643783	1	1	
R 10	RES, CF, 2.7K, +-5%, 0.25W	573261	80031 CR251-4-5P2K7	1		
R 12	RES, CF, 1.5K, +-5%, 0.25W	573212	80031 CR251-4-5P1K5	1		
R 13- 32, 77	RES, CF, 2.2K, +-5%, 0.25W	573246	80031 CR251-4-5P2K2	21		
R 33- 36	RES, CF, 330, +-5%, 0.25W	573089	80031 CR251-4-5P330E	4		
R 34	* IC, TTL, QUAD 2 INPUT NOR GATE	288845	01295 SN7402N	1		
R 37, 38	RES, CF, 62, +-5%, 0.25W	574962	89536 574962	2		
R 39, 40	RES, MF, 20K, +-0.1%, 0.125W, 25PPM	340620	91637 CMF55	2		
R 43	RES, CF, 82, +-5%, 0.25W	573006	89536 573006	1		
R 44	RES, MF, 17.4K, +-0.1%, 0.125W, 25PPM	340612	89536 340612	1		
R 47	RES, MF, 3.74K, +-1%, 0.125W, 100PPM	272096	91637 CMF553741F	1		
R 48	RES, VAR, CERM, 20, +-20%, 0.5W	261180	75378 190PC200B	1		
R 51	RES, CF, 22K, +-5%, 0.25W	573451	89536 573451	1		
R 53	RES, CF, 12K, +-5%, 0.25W	573402	80031 CR251-4-5P12K	1		
R 56	RES, CF, 24K, +-5%, 0.25W	573469	89536 573469	1		
R 58	RES, MF, 28K, +-1%, 0.125W, 100PPM	291385	91637 CMF552802F	1		
R 59	RES, MF, 5.76K, +-1%, 0.125W, 100PPM	260349	91637 CMF555761F	1		
R 60	RES, MF, 7.15K, +-1%, 0.125W, 100PPM	260356	91637 CMF557151F	1		
R 61	RES, MF, 3.65K, +-1%, 0.125W, 100PPM	293779	91637 CMF553651F	1	1	
R 62	358850HMI/4WATT. 0.1%+-2PPM	492249	89536 492249	1		
R 63	RES, MF, 2.67K, +-0.1%, 0.125W, 25PPM	340596	89536 340596	1		
R 64	RES, MF, 15.4K, +-0.1%, 0.125W, 25PPM	340604	91637 CMF551542F	1		
R 65	RES, WW 2.728K .05% 7PPM .5W CARD	337568	89536 337568	1		
R 69	RES, MF, 27.28K, +-0.5%, 0.125W, 100PPM	351908	89536 351908	1		
R 70, 71	RESISTOR SET	339606	89536 339606	1	1	
R 72	RES, MF, 3.16K, +-0.1%, 0.125W, 25PPM	340588	91637 CMF553161F	1	1	
R 75	RES, VAR, CERM, 100K, +-10%, 0.5W	288308	89536 288308	1		
R 78	RES, MF, 34.8, +-1%, 0.125W, 100PPM	343897	89536 343897	1		
R 79	RES, CF, 2M, +-5%, 0.25W	643676	89536 643676	1		
T 1	TRANSFORMER--RF	324350	89536 324350	1		

TABLE 5-14. A12 REFERENCE PCB ASSEMBLY (CONT.)
(SEE FIGURE 5-10.)

REFERENCE DESIGNATOR	A-->NUMERICS-->>	S	DESCRIPTION	FLUKE STOCK --NO--	MFRS SPLY CODE--	MANUFACTURERS PART NUMBER --OR GENERIC TYPE--	TOT QTY	R S --Q	N O T --E
TP	1- 4		TERM, UNINSUL, STANDOFF, TURRET	208355	89536	208355	4		
U	1	*	IC, TTL, QUAD 2 INPUT NAND BUFFER	296228	01295	SN7437N	1	1	
U	2- 11	*	IC, TTL, DUAL 2 WIDE, 2 IN AND-OR-INVERT	340430	01295	SN7450N	10	1	
U	12- 15	*	IC, TTL, 4-BIT SYNCHRONOUS COUNTER	340455	01295	SN74162N	4	1	
U	15	*	IC, HTTL, DUAL 4 INPUT NAND GATE	340414	01295	SN74H40	1	1	
U	16	*	IC, TTL, 4-BIT SYNCHRONOUS COUNTER	340463	01295	SN74163N	1	1	
U	17, 19, 20-	*	IC, TTL, 4BIT EXCLUSIVE-NOR COMPARATOR	293258	18324	N8442N	5	1	
U	22	*		293258					
U	23	*	IC, HTTL, TRIPLE 3 INPUT AND GATE	340448	01295	SN74H11N	1	1	
U	24	*	IC, HTTL, DUAL 4 INPUT AND GATE	340422	01295	SN74H21N	1	2	
U	29	*	IC, OP AMP, SELECTED, GEN PURPOSE, TO-78	225961	24355	AD3092	1	1	
U	30	*	REF AMP RESISTOR SET	339192	89536	339192	1		
U	31, 32	*	IC, OP AMP, GEN PURPOSE, TO-99/TO-78	271502	12040	LM301A	2	1	
U	33	*	IC, OP AMP, GENERAL PURPOSE, TO-5 CASE	284760	12040	LM308H	1	1	
W	1		CABLE ASSY, SHIELDED, VARIABLE REF	339481	89536	339481	1	1	



5200A -1090

Figure 5-10. A12 Reference Supply PCB Assembly

Section 6

Option & Accessory Information

6-1. INTRODUCTION

6-2. This section of the manual contains information on the accessories and options available for the 5200A AC Calibrator.

6-3. ACCESSORY INFORMATION

6-4. The portion of this section dealing with accessories will contain the details of all accessories available for the 5200A.

6-5. OPTION INFORMATION

6-6. Each of the options available for the 5200A are described separately in a sub-section identified with the option name and number. The option description contains the information on the operating instructions and maintenance not covered in the main body of the text plus a complete list of replaceable parts for the option.

TABLE OF CONTENTS

OPTION/ MODEL NO.	DESCRIPTION	PAGE NO.
	Accessories	600-1
	OPTIONS	
01	Remote Control	601-1
02	50-to-400 Hz Power Input	602-1
03	RCU Input Inverter	603-1
04	Not Used	
05	IEEE-488 Interface	605-1

Accessories

600-1. The following table lists the accessories available for the 5200A. Instructions for use accompany each accessory.

Table 600-1. 5200A Accessories

REF DES	ACCESSORY	PART NO.
A4	Service Kit Assy 5200A-7015K	337253
	Extender PCB 5200A-4015	415042
	(2 ea) Adapter, Female BNC to Conhex	207092
	(2 ea) Adapter, Male BNC to Conhex	207100
	(2 ea) Cable, extension, 18 inch, Conhex Connector, PCB 86-Pin*	205906
		335281
----	Rack Mounting Kit	MO7-205-600
----	Chassis Slides	MOO-208-610
* Part of A4; Mfg. Fed Supply Code 71785, P/N 252-43-30-360		

Option —01 Remote Control

601-1. INTRODUCTION

601-2. The —01 Option of the 5200A permits the remote selection of all functions, frequencies and amplitudes by means of an external programming device, usually part of an automated system. (The —01 Option is for use with systems employing negative-active interfacing; systems employing positive-active interfacing must use the —03 Option in addition to the —0n Option). (Refer to Section 603 for details on the —03 Option.) The remote programming option consists of a Remote Control Unit (plug-in pcb assembly), an 86-pin card-edge connector (John Fluke 5200A-4082) and a blank Address Matrix card (John Fluke 5200A-4083). The Remote Control Unit contains all the control logic and mounts in an assigned position within the 5200A (Installation of the pcb assembly is described in paragraph 601-5). The card edge connector must be jumpered according to system requirements (refer to paragraph 601-21) before being installed to connect the remote programming source to the 5200A. The matrix address card must also be jumpered in accordance with system requirements (refer to paragraphs 601-22 through 601-24) and installed on the Remote Control Unit pcb assembly.

601-3. SPECIFICATIONS

601-4. Specifications for the Remote Control Unit are contained in Section 1 of the manual.

601-5. INSTALLATION

NOTE!

Before installing the RCU in the 5200A, install a properly jumpered Address Matrix card on the RCU as shown in Figure 601-1. Jumpering information for the Address Matrix card is contained in paragraphs 601-22 through 601-24.

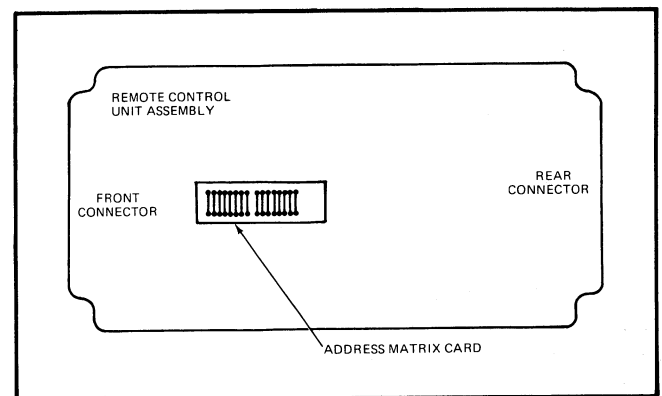


Figure 601-1. Location of Address Matrix Card

601-6. The RCU (pcb assembly number 5200A-4080) mounts in an assigned position within the 5200A as shown in Figure 601-2. Install the RCU as follows:

1. Remove the top dust cover.
2. Remove the large inner cover located in the left section (as viewed from the top front).
3. Install the RCU assembly in the gray (eighth) position and slide fully forward to engage the printed circuit board connector. Refer to Figure 601-2.
4. Replace the large inner cover, making sure that all of the printed circuit board locating pins protrude through the holes in the cover.
5. Replace the top dust cover.

601-7. OPERATION

601-8. General

601-9. Once installed in the 5200A, the RCU requires no operator attention. However, operation of the RCU in a system environment must be understood in order to interface with a remote programming source. The following paragraphs contain the information

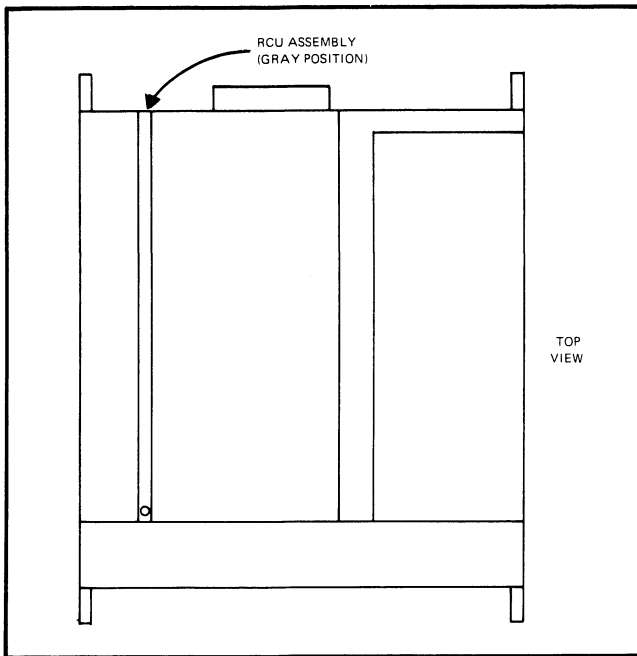


Figure 601-2. RCU Mounting Location

necessary to interface a remote programming source to the RCU, i.e. the jumpering of the Address Matrix card, the connection of the data inputs, the use of the flag outputs, etc.

601-10. Logic Levels

601-11. Programming inputs to the Remote Control Unit are DTL and TTL compatible. In the —01 Option only, negative-true logic is used and a logic 0 is equal to +2.0V to +5Vdc, and logic 1 is equal to 0.4, ± 0.4 Vdc. When the —03 Option is included with the —01 Option, the Remote Control Unit accepts positive-true logic, i.e., a logic 0 is equal to 0.4, ± 0.4 Vdc, and a logic 1 is equal to +2.0V to +5Vdc. In either case, logic 1 is the active state.

601-12. Selection of Frequency And Amplitude Ranges.

601-13. Any of five frequency ranges and seven amplitude (voltage) ranges can be remotely programmed via the rear panel connector pins (even numbered 54 through 64) listed on Table 601-1. The ranges are octal coded, as listed in Tables 601-2 and 601-3, so that only three pin connections are required to encode any of the frequency and amplitude ranges. For example, to select the 100kHz frequency range, logic 0's would be placed on pins 60 and 62, and logic 1 on pin 64. Each of the frequency and amplitude ranges can be programmed for up to 20% overrange by placing a logic 0 on the appropriate connector pin. Pin 49 is used to select the amplitude overrange; pin 53 is used to select the frequency overrange. The overrange permits selection of up to 1.99999 on any amplitude range and up to 1.999 on any frequency range.

601-14. Selection Of Frequency And Amplitudes

601-15. Each digit of frequency and amplitude can be remotely selected when the calibrator is placed in the remote mode. As listed in Table 601-1, each decimal digit requires binary coding via a group of four input lines. Frequency selection is made by means of four digits, each of which have an assigned group of four binary-coded input lines. Amplitude selection is made by means of six digits, each of which also have an assigned group of four binary-coded input lines.

601-16. Selection Of Control Functions

601-17. A group of four functional commands is provided to control the 5200A from the remote programming source. As listed in Table 601-1, these commands are entered on even numbered pins 80 through 86. Pin 86 controls the operating mode of the 5200A; a logic 0 places the calibrator in the Operate mode while a logic 1 places the calibrator in the Standby mode (i.e., 1mV range selected and the output disconnected). Pin 84 controls the phase lock operation of the calibrator in a manner similar to the front panel PHASE LOCK switch. A logic 0 selects the phase lock feature so that the calibrator can be locked to some external reference frequency connected to rear panel connector J64. A logic 1 disables the phase lock feature.

601-18. Pin 82 controls the remote selection of the calibrator. A logic 1 places the 5200A in the remote control mode so that it may disable the front panel controls and be under the control of the remote programming device. A logic 0 disables the remote control logic and enables the front panel controls unless the front panel CONTROL switch is placed in the REM position, in which case the 5200A remains in the remote control mode. Pin 80 controls the sense connections in a manner similar to the front panel SENSE switch. A logic 1 switches the sensing to external, i.e., output sensing takes place at the load. A logic 0 switches the sensing to internal, i.e., output sensing takes place within the 5200A.

601-19. SERIAL PROGRAMMING

601-20. The remote programming of frequency ranges, amplitude ranges, frequencies, amplitudes, control functions, frequency overrange and amplitude overrange may be made in serial or parallel form, depending upon the particular system environment. Program data generated by the program source is in the form of a 54-bit program word, made up of 15 bytes. The program word is fed to a 54-bit input register in the Remote Control Unit (RCU). When serial programming is employed, the program word is fed over a common set of four data lines to the register, one byte at a time. Each

Table 601-1. Card-Edge Connector Pin Assignments

PIN NO.	FUNCTION
1	LSB (1) of amplitude least significant digit
3	3SB (2)
5	2SB (4)
7	MSB (8)
9	LSB (1) fifth
11	3SB (2)
13	2SB (4)
15	MSB (8)
17	LSB (1) fourth
19	3SB (2)
21	2SB (4)
23	MSB (8)
25	LSB (1) third
27	3SB (2)
29	2SB (4)
31	MSB (8)
33	LSB (1) second
35	3SB (2)
37	2SB (4)
39	MSB (8)
41	LSB (1) most
43	3SB (2)
45	2SB (4)
47	MSB (8)
49	Amplitude overrange bit – provides 1.199999 on any range
51	not used
53	frequency overrange bit – provides 1.1999 on any range
55	MSB (8) of frequency most significant digit
57	2SB (4)
59	3SB (2)
61	LSB (1)
63	MSB (8) second

NOTE
 For Option -01 (RCU only):
 Logic 1 = 0V to +0.8V
 Logic 0 = +2V to +5V
 For Option -01 and -03 (RCU plus Inverter):
 Logic 1 = +2V to +5V
 Logic 0 = 0V to +0.8V

Table 601-1. Card-Edge Connector Pin Assignments (Continued)

PIN NO.	FUNCTION
65	2SB (4) of frequency second significant digit
67	3SB (2) ↓ ↓ ↓ ↓ ↓
69	LSB (1) ↓ ↓ ↓ ↓ ↓
71	MSB (8) of frequency third significant digit
73	2SB (4) ↓ ↓ ↓ ↓ ↓
75	3SB (2) ↓ ↓ ↓ ↓ ↓
77	LSB (1) ↓ ↓ ↓ ↓ ↓
79	MSB (8) ↓ ↓ ↓ ↓ ↓ least
81	2SB (4) ↓ ↓ ↓ ↓ ↓
83	3SB (2) ↓ ↓ ↓ ↓ ↓
85	LSB (1) ↓ ↓ ↓ ↓ ↓
2	not used
4	↓
6	↓
8	↓
10	↓
12	remote control flag – logic 1 indicates remote mode available
14	ready/ $\overline{\text{ready}}$ flag – logic 1 indicates 5200A not yet settled
16	+5V common
18	overload flag – logic 1 indicates the 5200A (or 5205A) output is overloaded
20	5205A operate flag – logic 1 indicates operate mode (0 = standby)
22	5200A operate flag – logic 1 indicates operate mode (0 = standby)
24	+5Vdc
26	not used
28	↓
30	↓
32	↓
34	MSB (8) of group address
36	2SB (4) ↓ ↓ ↓ ↓ ↓
38	3SB (2) ↓ ↓ ↓ ↓ ↓
40	LSB (1) ↓ ↓ ↓ ↓ ↓

NOTE

For Option -01 (RCU only):

Logic 1 = 0V to +0.8V

Logic 0 = +2V to +5V

For Option -01 and -03 (RCU plus Inverter):

Logic 1 = +2V to +5V

Logic 0 = 0V to +0.8V

} permits serial entry of remote control data

Table 601-1. Card-Edge Connector Pin Assignments (concluded)

PIN NO.	FUNCTION	
42	Address strobe – enters data group selected by group address	
44	Parallel address – causes parallel entry of remote control data	
46	not used	
48		
50		<p style="text-align: center;"><i>NOTE</i></p> <p><i>For Option -01 (RCU only):</i></p> <p style="padding-left: 40px;"><i>Logic 1 = 0V to +0.8V</i></p> <p style="padding-left: 40px;"><i>Logic 0 = +2V to +5V</i></p> <p><i>For Option -01 and -03 (RCU plus Inverter):</i></p> <p style="padding-left: 40px;"><i>Logic 1 = +2V to +5V</i></p> <p style="padding-left: 40px;"><i>Logic 0 = 0V to +0.8V</i></p>
52		
54		
56		
58		
60		
62		
64		
66		
68		
70		
72		
74		
76		
78		
80		remote sense command – logic 1 = 5200A in external sense; 0 = internal sense
82		remote control command – logic 1 = 5200A in remote control; 0 = local
84		phase lock command – logic 1 = 5200A in phase lock mode
86	operate command – logic 1 = 5200A operate mode; logic 0 = standby	
NOTE:	MSB = Most significant bit LSB = Least significant bit	

portion of the input register is addressable, and as a byte of data is placed on the four data lines, the designated portion of the input register is addressed, and then strobed. In this manner, the remote programming source can fill the RCU input register, byte-by-byte, with the required frequency, amplitude, range and control information. When the input register is loaded a data transfer command is addressed and the 5200A reacts to the program data.

601-21. To accommodate serial programming, eight data lines must be connected to the RCU connector as shown in Figure 601-3. Four of the data lines carry the byte address (0 through 15), while the other four lines carry the program data. The program data lines are multiple-connected so that all elements of the 54-bit input register have access to the data, although only the addressed portion of the register will accept and store the data at any given time. Note in Table 601-4 that the

Table 601-2. Frequency Range Coding

SELECTED RANGE	OCTAL CODING (BCD) Pins 60 (BCD 1), 62 (BCD 2) and 64 (BCD 4)
100 Hz	0
1 kHz	1
10 kHz	2
100 kHz	3
1 MHz	4

Table 601-3. Amplitude Range Coding

SELECTED RANGE	OCTAL CODING (BCD) Pins 54 (BCD 4), 56 (BCD 2) and 58 (BCD 1)
1 mV	1
10 mV	2
100 mV	3
1 V	4
10 V	5
100 V	6
1000 V	7

NOTE

If a zero (0000₂) is programmed, the 1 mV range will be selected.

frequency range and amplitude range data require only three bits for range coding; consequently, these portions of the input register are multiple-connected only to the first three data lines and have no connection to the most significant data line. Also, the frequency and amplitude overrange bytes require only a single bit each. As a result, these bits are connected to only one of the four data lines. The data line drivers within the remote programming source must be capable of supplying sufficient current for 15 TTL input loads (i.e., 1 mA for each data line).

601-22. For purposes of serial programming, each byte of program data (i.e., frequency digit, range, control functions, etc.) has an assigned unique address which is determined by the strapping of the Address Matrix card on the RCU. A typical strapping configuration is shown in Figure 601-4 to accommodate serial programming of the 5200A. With the strapping of the Address Matrix card as shown in Figure 601-4, the control functions byte has address 14, the frequency range byte has address 13, the least significant frequency digit has address 12, etc. (The transfer data command, which tells the RCU that the 54-bit program word has been loaded or changed as required, has byte address 15 in Figure 601-4.

601-23. The byte addressing is performed by the program source which feeds the binary-coded address (via even-numbered RCU pins 34 through 40) to a 1-out-of-16 decoder. The decoder produces an output in response to the input bit configuration to enable that portion of the input register jumpered to the enabled output. In this manner, only one portion of the input register is enabled at any given time.

601-24. The Address Matrix card permits the assignment of byte number to the different input register elements as required for various system configurations. Regardless of how the Address Matrix card is jumpered, the 54-bit program word must be placed in the assigned positions of the input register as shown in Figure 601-4. For example, if it is desired to transpose the byte numbers of the amplitude range byte and the frequency range byte, pin 8 (on the Address Matrix card) is jumpered to pin 31 and pin 14 is jumpered to pin 25. With this configuration, the amplitude range byte must be addressed as byte 13, and the frequency range byte must be addressed as byte 7.

601-25. As previously mentioned, not all bytes in the 54-bit program word are made up of four bits; the two

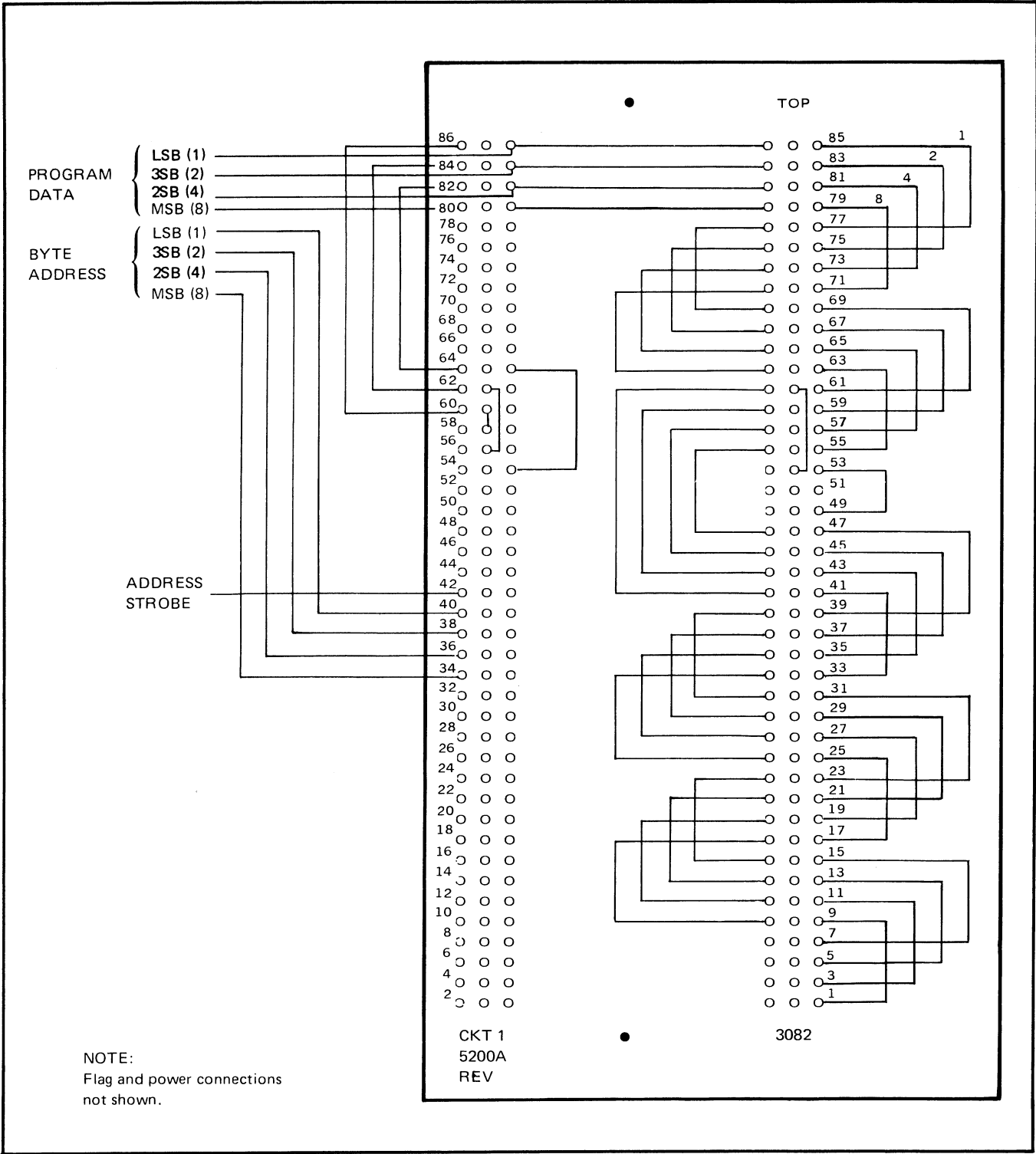


Figure 601-3. Typical Serial Programming Connections

range bytes are 3 bits each, and the overrange bytes are one bit each. Any data appearing on the unused data line(s) when addressing the range or overrange bytes, is disregarded by the RCU logic. The assignment of the used and unused data lines when addressing the range and overrange bytes is determined by the RCU card edge connector jumpers shown in Figure 601-3. For example,

the overrange bit inputs to the shift register (connector pins 49 and 53) are jumpered to the least significant program line; the range inputs to the input register are jumpered to the three least significant program lines. Any data appearing on the unused program line(s) is disregarded.

Table 601-4. Typical Byte Assignment For Serial Programming

BYTE ADDRESS	BYTE NAME
0	Amplitude overrange bit (one bit)
1	MSD (four bits)
2	2SD (four bits)
3	3SD (four bits)
4	4SD (four bits)
5	5SD (four bits)
6	LSD (four bits)
7	range selection (three bits)
8	Frequency overrange bit (one bit)
9	MSD (four bits)
10	2SD (four bits)
11	3SD (four bits)
12	LSD (four bits)
13	range selection (three bits)
14	Control functions — remote/local sense, phase lock, remote/local operation, standby/operate. (four bits) Bit assignment depends on connector jumpers — refer to Figure 6-1.
15	Data transfer command (no data required)

601-26. Program Sequence And Timing-Serial

601-27. It is the function of the remote programming source to address the different elements of the RCU input register, and shift the appropriate data to the addressed element (byte). The byte addresses assigned to the different elements of the input register are determined by the jumpering arrangement on the Address Matrix card as described in paragraphs 601-22 through 601-24. It is not necessary to completely re-program the 5200A each time it is desired to change the output signal. It is only necessary to change those elements of the input register required to bring about the change. For example, if it is desired to simply change the amplitude range with no alteration of the amplitude data or frequency, only the amplitude range byte of the input register need be addressed and the new byte entered. Since none of the other input register bytes have been addressed, their contents will not be changed.

601-28. Whenever a data byte is placed on the program data lines shown in Figure 601-3, and the respective byte address is placed on the byte address lines (pins 34, 36, 38 and 40), an address strobe pulse must be generated at pin 42 in order for the RCU to receive the data byte. The address strobe pulse is a negative-going 800-ns (minimum) pulse applied to pin 42 of the card edge RCU connector. The data byte(s) and byte address may be altered at any time except during the strobe pulse. Coincident with the end of the strobe pulse is a READY flag which indicates (when in the low, or logic 1 state) that the 5200A is not yet settled and the output signal is unreliable. The READY flag is low for 0.5 seconds when using the upper four frequency ranges, and 4.0 seconds when using the 100 Hz frequency range. Refer to Figure 601-5.

NOTE!

If the output amplitude is one half scale or less, the actual settling time may exceed the READY FLAG when the output frequency is between 10 Hz and 30 Hz on the 100 Hz range or between 100 Hz and 400 Hz on the 1 kHz range. Refer to RESPONSE TIME Specifications in Section 1.

601-29. When the desired 54-bit program word has been serially loaded into the input register, no action will be taken by the 5200A upon the program word until the transfer data command is addressed and strobed. To address the transfer data command, the address of the command (determined by the jumpering of the Address Matrix card) is placed on the byte address lines. When the subsequent address strobe pulse occurs, the 5200A acts upon the 54-bit program word and changes its output signal accordingly.

601-30. Parallel Programming

601-31. The remote programming of frequency ranges, amplitude ranges, frequencies, voltages, control functions, frequency overrange and amplitude overrange may be made in parallel as well as serial form. All program data generated by the program source is in the form of a 54-bit program word, made up of 15 bytes. The program word is fed to a 54-bit input register in the RCU. Connection of the program data to the RCU is made by means of the card edge connector using the pin assignments listed in Table 601-1. Since each data bit has an assigned unique line, there is no need for multiple connections on the card edge connector, as in the case of serial programming.

601-32. The Address Matrix card, located on the RCU as shown in Figure 601-1, must be jumpered to accommodate the parallel programming format. A typical jumper arrangement for the Address Matrix card to

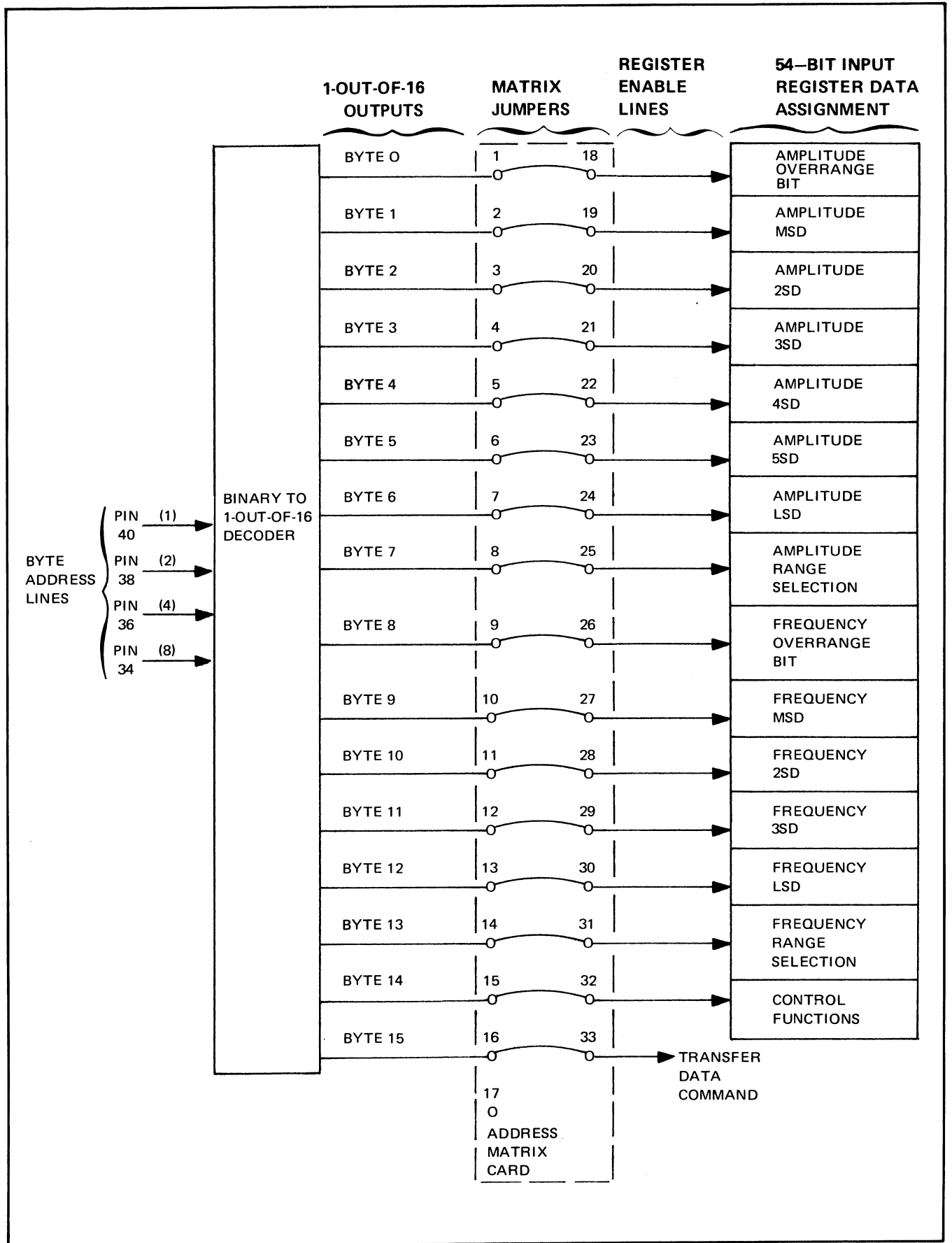


Figure 601-4. Typical Address Matrix Card Jumpers-Serial Program

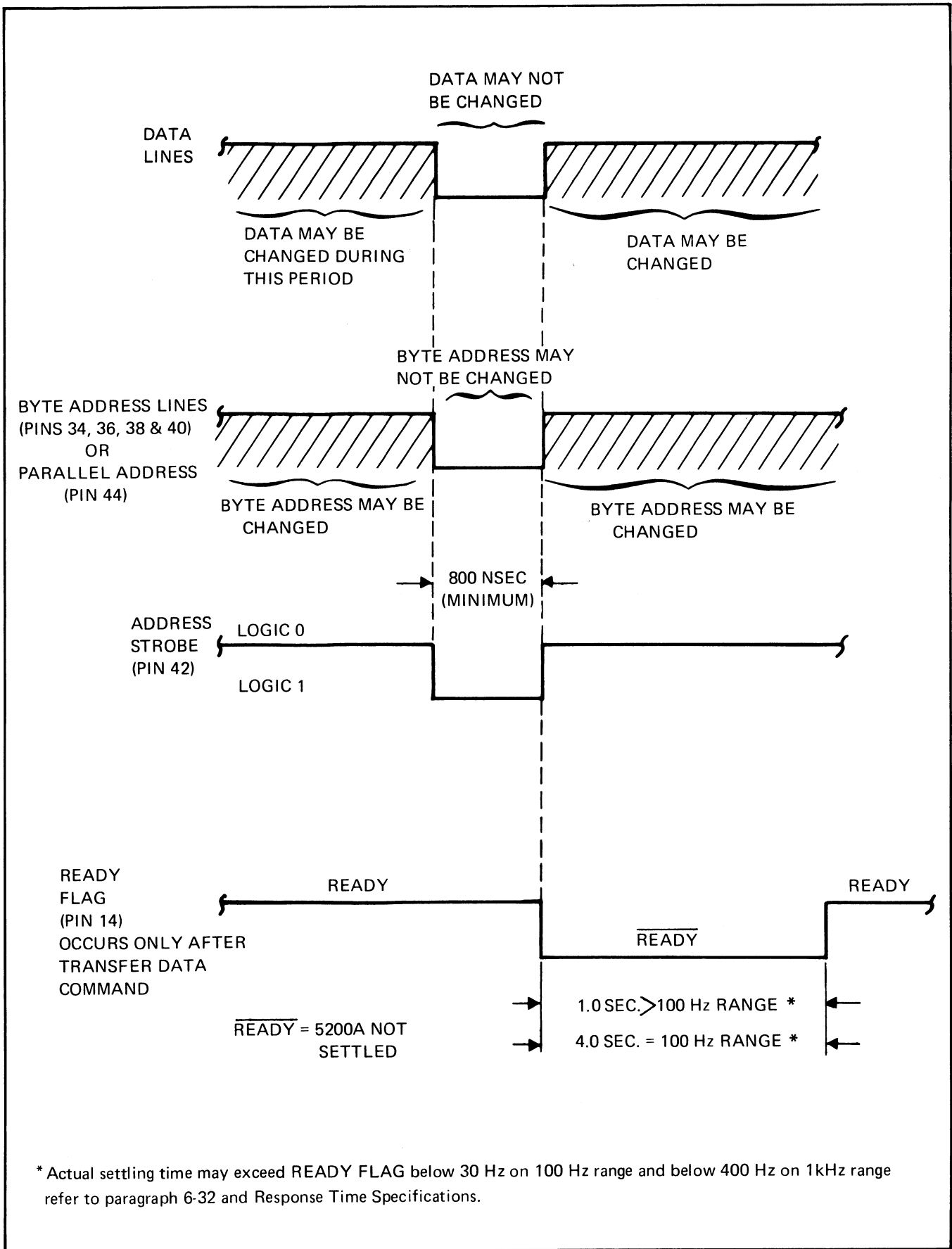


Figure 601-5. RCU Timing Requirements

accommodate parallel programming is shown in Figure 601-5. The parallel address input (pin 44) is fed through a buffer and connected to each addressable portion of the 54-bit input register and to the transfer data command terminal of the Address Matrix card. The buffer provided in the parallel address line generates sufficient drive for all portions of the input register and the transfer data command.

601-33. The loading of the 54-bit program word into the 54-bit input register takes place when the program word is applied to the register inputs and the parallel address input is made to go to logic 0 while an address strobe signal is applied to pin 42. Since the parallel address signal is applied to all portions of the input register, and also to the transfer data command, the occurrence of the address strobe causes the 54-bit program word to be accepted into the input register and then used to select the programmed output of the 5200A. The timing diagram in Figure 601-5 shows how the READY flag goes to logical 0 after the 800-ns (minimum) address strobe pulse to indicate that the calibrator output is not yet settled to the programmed frequency and/or amplitude.

601-34. Flags

601-35. The 5200A produces five flag outputs via the RCU card edge connector pins 12, 14, 18, 20 and 22 as listed in Table 601-1. Pin 12 provides connection to the remote control flag. A logic 0 at pin 12 indicates to the remote programming source that the 5200A is in the remote control mode, either as a result of remote control function or the front panel CONTROL switch. A logic 0 at pin 18 indicates that either or both the 5200A and 5205A are overloaded at their outputs. A logic 1 at pin 20 indicates that the 5205A (if included in the system) is in the operate mode; a logic 0, the Standby mode. A logic 0 at pin 22 indicates that the 5200A is in the Operate mode, a logic 1, the Standby mode. The ready flag appearing at pin 14 is described in previous paragraphs.

601-36. THEORY OF OPERATION

601-37. The function of the RCU is to receive and store operational commands and parameters from some remote programming source, and where necessary, pass them through the guard shield to control the output frequency output amplitude and operating mode of the calibrator. The RCU can receive remote control information in parallel or serial byte-by-byte form, depending upon the system requirements. Programming format is determined by the strapping arrangement on the Address Matrix card (refer to paragraph 601-22 through 601-24).

601-38. Serial Operation

601-39. Figure 601-7 shows that the 54 bits of programming data are fed to a 33-bit shift register and a 21-

bit storage latch (two sets of five, four-bit storage latches, plus a J-K flip-flop for the amplitude overrange bit). All 54 bits are fed over a set of four data lines, one byte at a time. Each byte of the shift register and storage latches is separately addressable and its inputs are enabled by means of the four address lines and the Address Matrix card. As each byte of program data is placed on the four data lines, the corresponding byte address is placed on the four byte address lines. This action enables that portion of the shift register or storage latches and places the byte of program data in the assigned position.

601-40. The Address Matrix card operates in conjunction with a four-to-sixteen-line decoder so that four bits of byte address information can be used to address any of the 15 different bytes of the register and storage latches. (The 33-bit shift register contains 9 assigned bytes; the 21-bit storage latch contains 6 assigned bytes.) In addition, the 4 bits of byte-address information can address the transfer data command when all data has been entered. To permit all program data to pass over the 4 data lines, each of the 15 bytes are multiple-connected. Those bytes having only 3 meaningful bits (frequency range and amplitude range), and those bytes having only one meaningful bit (frequency overrange and amplitude overrange) are multiple-connected to the low order bit(s) of the data lines only.

601-41. During serial operation, the RCU loads each byte of the shift register and storage latches (under the direction and control of the remote programming source) with the necessary frequency, amplitude or control data, and then address the transfer data command. As shown in Figure 601-7, the transfer data command performs three functions; i.e., start the gate-clock circuit, cause the 20-bit storage latch and trigger a one shot multivibrator. The starting of the gated-clock circuit causes the generation of 33 serial clock pulses which are fed to the serial shift input of the 33-bit shift register. The 33 pulses at the serial shift input cause the register to perform one complete shift cycle by shifting all data, bit-by-bit, from the serial output back to the serial input.

601-42. As the program data is shifted around the shift register loop, it is also transformer-coupled through an opening in the guard shield to a second 33-bit shift register located inside the guard shield. The second shift register also receives the 33 clock pulses and stays in synchronism throughout the serial transfer of the program data. The result of the shifting action is that all 33 bits of program data are passed through a single opening (instead of 33 parallel openings) in the guard shield and are stored in the second shift register until altered by the next 54-bit program data word and transfer data command. While held in the second shift register, the program data selects the calibrator output mode.

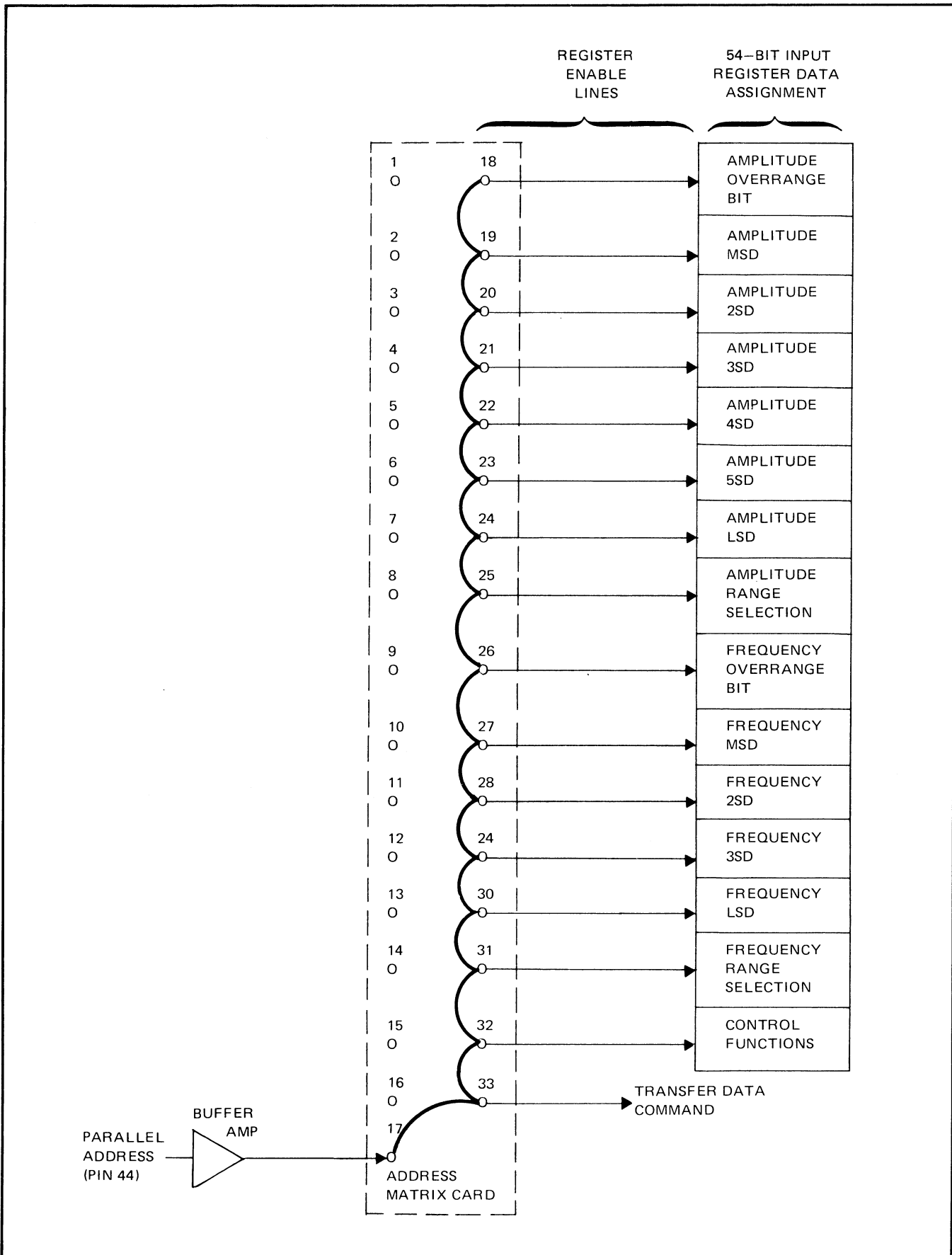


Figure 601-6. Typical Address Matrix Card Jumpers - Parallel Program

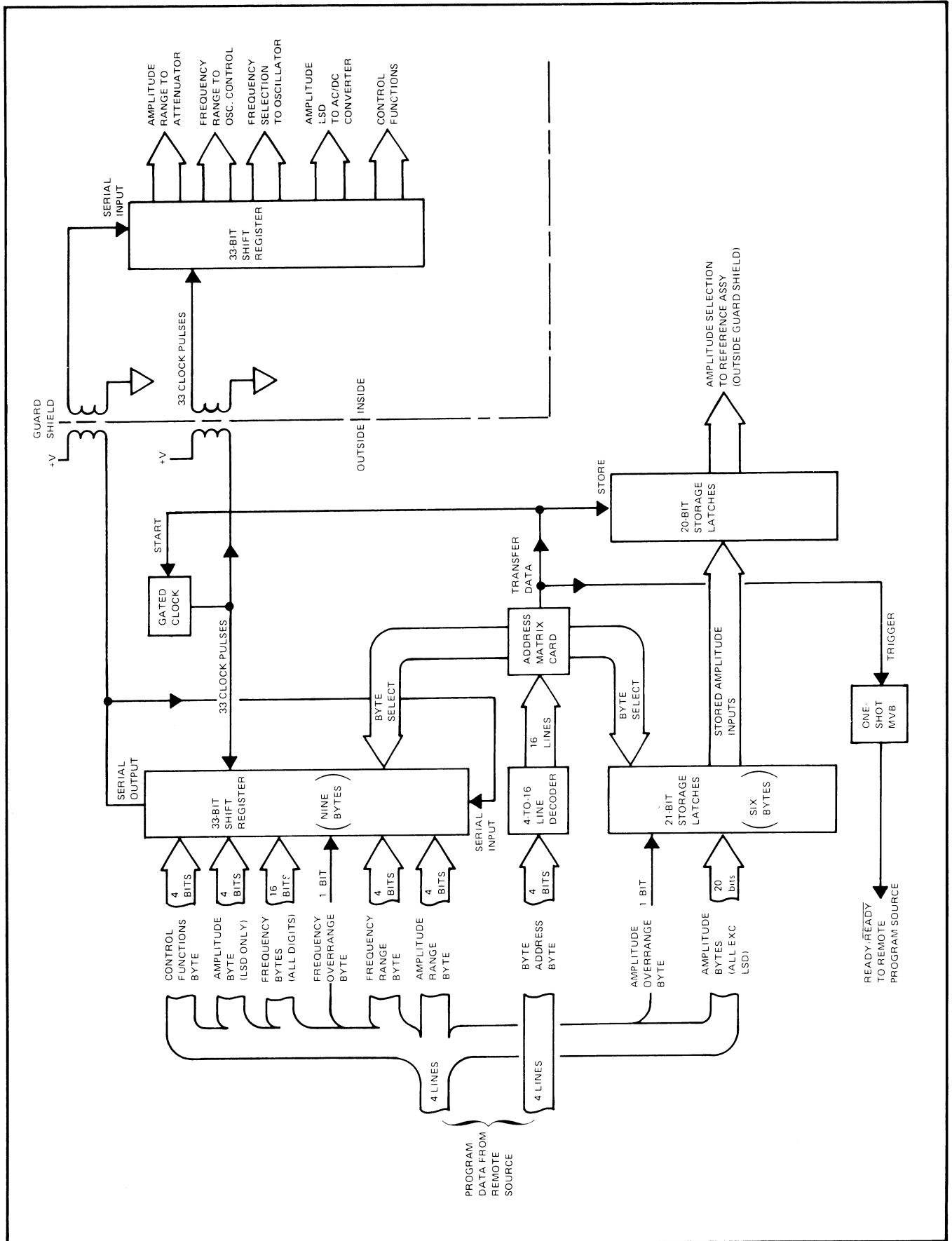


Figure 601-7. RCU, Serial Operation, Data Flow Diagram

601-45. Parallel Operation

601-46. Parallel operation of the RCU is identical to that described for serial operation, except for the method of loading the program data into the first 33-bit shift register and the 21-bit storage latch. In the parallel configuration, the remote programming source feeds all 54 bits of program data in parallel form to the RCU at one time, as shown in Figure 601-8. No byte address lines are used, so the parallel address input is used to address all bytes of the shift register, all bytes of the storage latches and the initiate transfer command simultaneously. Sufficient delay is provided between the parallel shift of the data (into the shift register and the storage latch) and the starting of the clock pulses, so that all data is settled before serialization begins.

601-43. The transfer data command also causes the 20-bit storage latch to accept the program data from the 21-bit storage latch. (The 21st, or amplitude overrange, bit is not lost, but is used to adjust the binary value of the program data [20 bits] fed to the second set of storage latches.) The program data fed to the 20-bit storage latches does not require serialization since it is not fed through the guard shield, and the use of 20 parallel conductors is of no consequence. The program data held

in the 20-bit storage latch (the amplitude data except for the least significant digit) controls output amplitude and is fed to the reference assembly located (electrically) outside the guard shield. (The least significant digit of amplitude data is passed serially to the second shift register for application to the AC-DC Converter inside the guard shield.)

601-44. The transfer data command also triggers a one-shot multivibrator to generate a READY signal to the remote programming source. The presence of the READY signal during the serialization and transfer of the program data notifies the remote program source that the RCU is not ready to accept new program data (data-line and address-line information may be changed, but new data cannot be strobed into new address location). The duration of the READY one-shot is 4 seconds on the 100 Hz range and 1.0 seconds on all other ranges. This one-shot provides sufficient settling time for the calibrator output.

601-47. LIST OF REPLACEABLE PARTS

601-48. Table 601-5 lists the replaceable parts for the RCU. Refer to Section 5 for an explanation of the columnar entries.

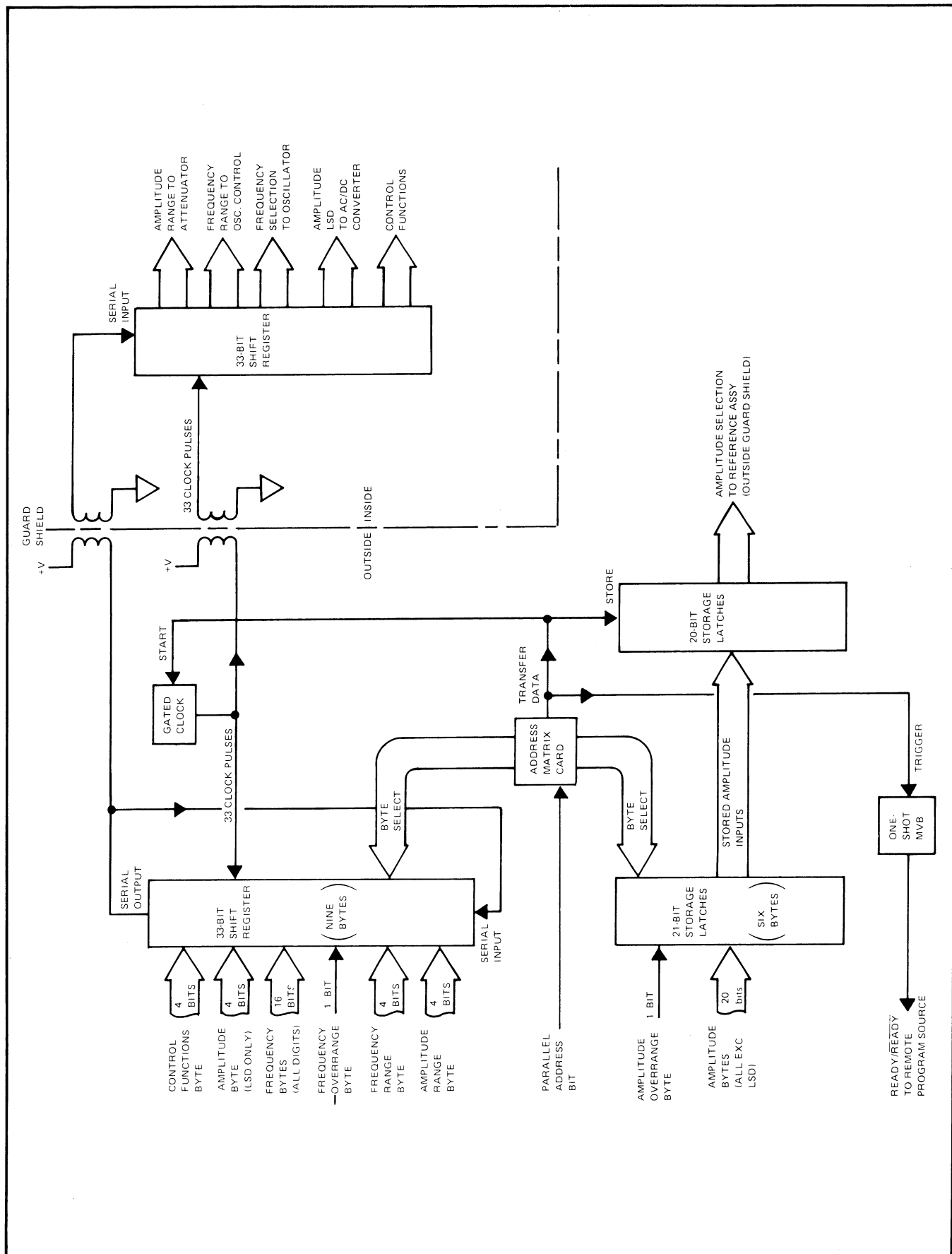


Figure 601-8. RCU, Parallel Operation, Data Flow Diagram

TABLE 601-5. -01 REMOTE CONTROL ASSEMBLY
(SEE FIGURE 601-9.)

REFERENCE DESIGNATOR	A->NUMERICS	S	DESCRIPTION	FLUKE STOCK NO	MFRS SFLY CODE	MANUFACTURERS PART NUMBER OR GENERIC TYPE	TOT QTY	R S -Q	N O T -E
A	11		REMOTE CONTROL PCB	332676	89536	332676	1		
C	1		CAP, MICA, 510PF, +-5%, 500V	148411	14655	CD15FD511J0	1		
C	2, 5		CAP, MICA, 82PF, +-5%, 500V	148502	14655	CD15FD820J0	2		
C	3, 4		CAP, MICA, 43PF, +-0.5PF, 500V	277202	72136	DM15E430F	2		
C	6		CAP, TA, 39UF, +-20%, 6V	163915	56289	196D394X0020KA1	1	1	
C	7, 8, 12-		CAP, CER, 0.025UF, +-20%, 100V, Z5W	168435	56289	C023B101H253M	18		5
C	15, 17- 26,			168435					
C	29, 30			168435					
C	9		CAP, TA, 330UF, +-10%, 6V	193011	56289	150D330X9006S2	1		
C	10		CAP, MICA, 33PF, +-5%, 500V	160317	02799	DM15E330J	1		
C	11		CAP, POLYES, 0.0047UF, +-10%, 50V	260844	06001	75F1R5A347	1		
C	27, 28		CAP, TA, 10UF, +-20%, 20V	330662	56289	196D106X0020KA1	2	1	
C	31		CAP, MICA, 680PF, +-5%, 500V	148403	14655	CD19FD681J0	1		
C	32		CAP, MICA, 390PF, +-5%, 500V	148437	72136	DM15F391J	1		
CR	1- 7	*	DIODE, SI, BV= 75.0V, IO=150MA, 500 MW	203323	07910	1N4448	7	1	
MF	1		ADDRESS MATRIX CARD, PROGRAMMABLE	350058	89536	350058	1		
MF	2		CONNECTOR ASSEMBLY, RCU	337840	89536	337840	1		
Q	2, 9- 28	*	TRANSISTOR, SI, PNP, SMALL SIGNAL	195974	64713	2N3906	21	2	
Q	3- 8	*	TRANSISTOR, SI, NPN, SMALL SIGNAL	159855	07910	CS23030	6	2	
R	1, 7, 11,		RES, CF, 10K, +-5%, 0.25W	348839	80031	CR251-4-5F10K	29		
R	15, 17, 19,			348839					
R	21, 32- 51,			348839					
R	54, 59			348839					
R	2, 4		RES, CF, 2K, +-5%, 0.25W	441469	80031	CR251-4-5F2K	2		
R	3		RES, CF, 2.7K, +-5%, 0.25W	386490	80031	CR251-4-5F2K7	1		
R	5, 6		RES, MF, 22.1K, +-1%, 0.125W, 100PPM	235234	91637	CMF552212F	2		
R	8- 10, 12,		RES, CF, 1K, +-5%, 0.25W	343426	80031	CR251-4-5F1K	9		
R	13, 52, 53,			343426					
R	55, 56			343426					
R	14, 16, 18,		RES, CF, 6.2K, +-5%, 0.25W	442368	80031	CR251-4-5F6K2	4		
R	20			442368					
R	22		RES, CF, 1.8K, +-5%, 0.25W	441444	80031	CR251-4-5F1K8	1		
R	23		RES, CF, 820, +-5%, 0.25W	442327	80031	CR251-4-5F820E	1		
R	24		RES, MF, 17.4K, +-1%, 0.125W, 100PPM	236802	91637	CMF551742F	1		
R	25		RES, MF, 5.76K, +-1%, 0.125W, 100PPM	260349	91637	CMF555761F	1		
R	26, 29		RES, CF, 200, +-5%, 0.25W	441451	80031	CR251-4-5F200E	2		
R	27, 28		RES, CF, 3.3K, +-5%, 0.25W	348813	80031	CR251-4-5F3K3	2		
R	30		RES, MF, 30.1K, +-1%, 0.125W, 100PPM	168286	91637	MFF1-83012F	1		
R	31		RES, MF, 10K, +-1%, 0.125W, 100PPM	168260	91637	CMF551002F	1		
R	57, 58		RES, CF, 51, +-5%, 0.25W	414540	80031	CR251-4-5F51E	2		
R	60		RES, CF, 4.7K, +-5%, 0.25W	348821	01121	CB4725	1		
U	1- 9	*	IC, TTL, 4BIT PAR/SER-I/O R&L-SHIFT RGS	342691	01295	SN7495AN	9		
U	11, 19, 29	*	IC, TTL, MONOSTABLE MULTIVIBRATOR	293050	01295	SN7412N	3	2	
U	11	*	IC, TTL, 4-16 LINE DCDR W/DUAL STROBE	293217	01295	SN74154N	1	1	
U	12, 50	*	IC, TTL, QUAD 2 INPUT OR GATE	342709	01295	SN7432N	2	1	
U	13, 14, 35	*	IC, TTL, HEX INVERTER	292979	01295	SN7404N	3	1	
U	15	*	IC, TTL, HEX INVERTER W/OPEN COLLECTOR	288605	01295	SN7416N	1	1	
U	16, 39	*	IC, TTL, DUAL RETRIG MONOSTABL MULTIVBR	310235	01295	SN74123N	2	1	
U	17, 18	*	IC, TTL, DIV BY 2, DIV BY 5 COUNTER	293159	01295	SN7490AN	2	1	
U	20, 28, 41	*	IC, TTL, QUAD 2 INPUT AND GATE	292987	01295	SN7408N	3	1	
U	21, 44, 45	*	IC, TTL, DUAL D F/F, +EDGE TRG, W/SET&CLR	310227	01295	SN7474N	3	1	
U	22, 46	*	IC, TTL, DUAL 4 INPUT NAND GATE	293001	01295	SN7420N	2	1	
U	23	*	IC, TTL, DUAL JK F/F W/SEP CLKS & CLRS	293043	01295	SN74107N	1	1	
U	24	*	IC, TTL, QUAD 2 INPUT NOR GATE	288845	01295	SN7402N	1	1	
U	25, 26, 30,	*	IC, TTL, DUAL 4BIT LATCH W/ENABLE	293191	04713	MC8308P	5	1	
U	47, 48	*		293191					
U	27	*	IC, TTL, DUAL NAND DRVR W/OPEN COLLECT	329706	01295	SN75452P	1	1	
U	31- 34	*	ISOLATOR, OPTO, LED TO TRANSISTOR	312298	89536	312298	4		
U	36, 40, 42,	*	IC, TTL, 8BIT SER-IN, PAR-OUT R-SHFT RGS	272138	01295	SN74164N	4	1	
U	43	*		272138					
U	37, 38	*	IC, TTL, QUAD BUFFER W/3-STATE OUTPUT	331199	12040	DM8094N	2	1	
U	49	*	IC, TTL, QUAD 2 INPUT NAND GATE	292953	01295	SN7400N	1		
X	1, 2		SOCKET, IC, 16 PIN	387324	71785	133-59-02-062	2		

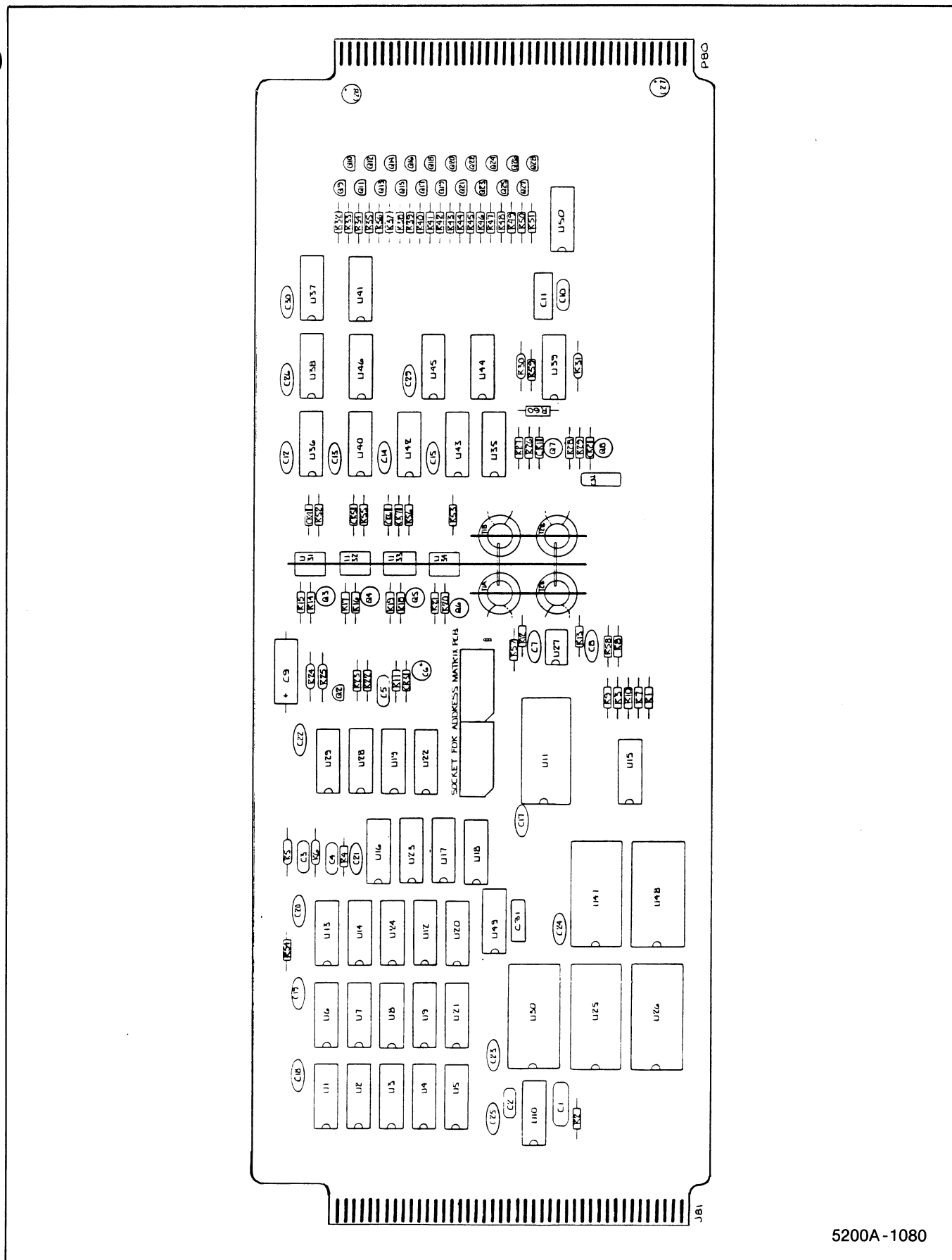


Figure 601-9. -01 Remote Control Assembly

Option —02 50-to-400 Hz Power Input

602-1. GENERAL

602-2. The —02 Option permits the 5200A to be operated from any power source, of sufficient voltage, from any power source, of sufficient voltage, from 50 to 400 Hz. The option consists of a cooling fan and a capacitor. Installation consists of replacing the existing cooling fan, which is not rated for 400-Hz operation, with

the Option —02 fan, then wiring the capacitor into the circuit. Installation (conversion) instructions accompany the option.

602-3. LIST OF REPLACEABLE PARTS

602-4. Table 602-1 lists the replaceable parts for the 400 Hz Power Input Option. Refer to Section 5 for an explanation of the columnar entries.

Table 602-1. 50 - 400 Hz Option (—02) Parts List

REF DESIG OR ITEM NO.	DESCRIPTION	FLUKE STOCK NO.	MFG FED SPLY CDE	MFG PART NO. OR TYPE	TOT QTY	REC QTY	USE CDE
	50 - 400 Hz Option (Factory Installed) 5200A—02 (Not Illustrated)						
	Fan (50 to 400 Hz)	404319	92702	Model BC2206F 2	1		
	Cap, mylar, 1 uF \pm 20%, 600V	105924	84411	JF-26	1		

Option —03 RCU Input Inverter

603-1. INTRODUCTION

603-1. The —03 Option electrically interfaces the RCU, which employs negative active logic, with a programming device which employs positive active logic. The RCU Input Inverter consists of a number of logic inverters mounted on a printed circuit board, an input connector, an output connector, all enclosed within a metal housing. The entire assembly inserts between the rear connector of the RCU and the remote interconnecting cable to invert all signals passing between the remote programming device and the RCU.

603-3. INSTALLATION

603-4. The RCU Input Inverter is installed on the rear connector of the RCU assembly, and is held in place by a pair of retaining screws which fasten to the rear panel of the 5200A. The interconnecting cable assembly connects to the exposed printed circuit board edge connector on the rear of the RCU Input Inverter, and is held in place by a pair of retaining screws.

603-5. THEORY OF OPERATION

603-6. The RCU Input Inverter is made up of a number of logic inverters, as shown in schematic diagram 5200A-1081. Each inverter accepts a logic 0 and yields a logic 1, or accepts a logic 1 and yields a logic 0. Sufficient inverters are included for all RCU inputs and outputs, from and to the remote programming device.

603-7. MAINTENANCE

603-8. There is no maintenance procedures for the RCU Input Inverter. Troubleshooting and performance checks can be performed by applying +5Vdc to pin 24, connecting ground to pin 16, and checking each individual inverter by alternately applying +5Vdc and ground to the input while observing the output for logic inversion. Refer to schematic diagram 5200A-1081 for connector pin assignment information.

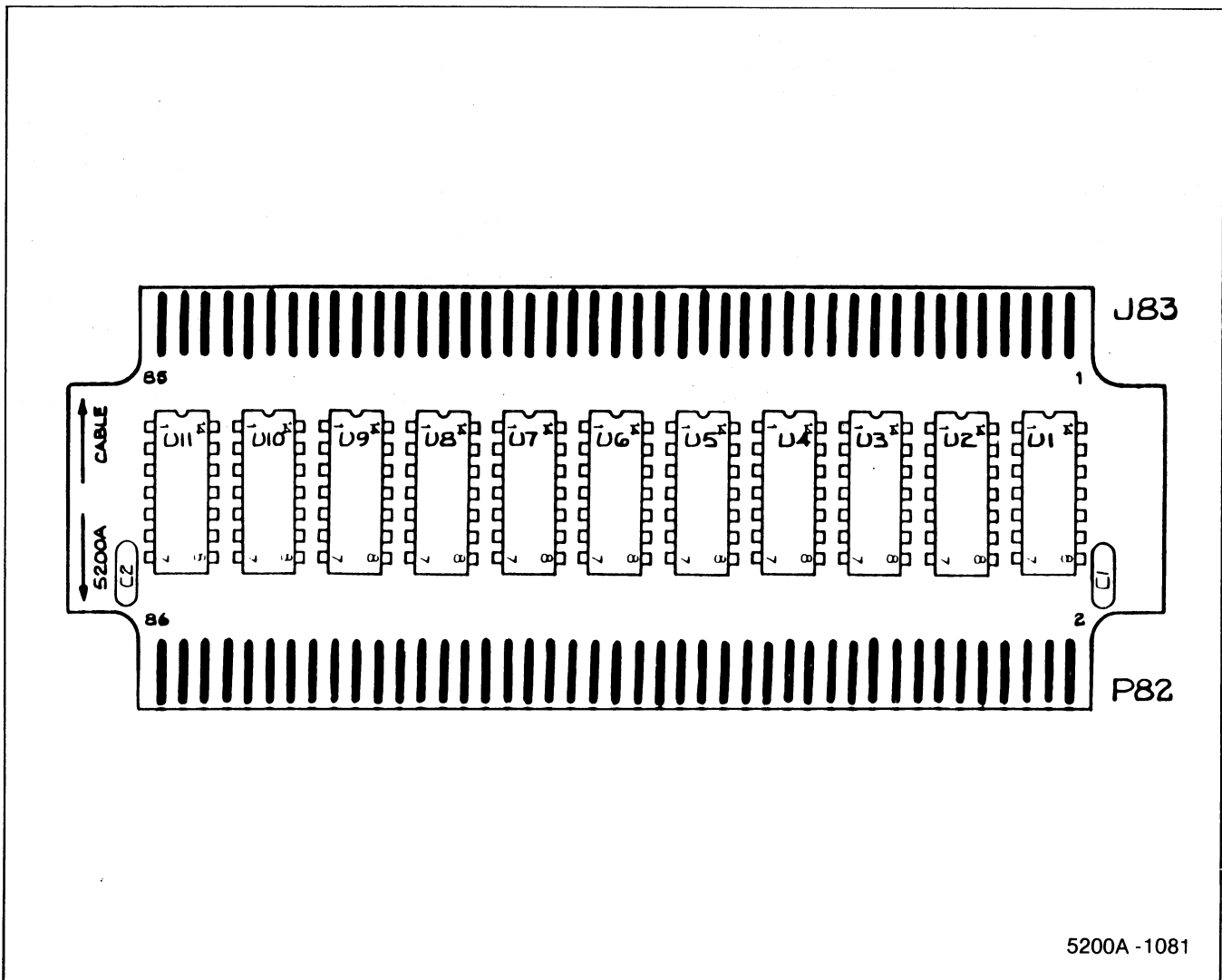
603-9. LIST OF REPLACEABLE PARTS

603-10. Table 603-1 lists the replaceable parts for the RCU Input Inverter. Refer to Section 5 for an explanation of the columnar entries.

TABLE 603-1. -03 RCU INPUT SIGNAL INVERTER ASSEMBLY
(SEE FIGURE 603-1.)

REFERENCE DESIGNATOR	S	DESCRIPTION	FLUKE STOCK NO	MFRS SPLY CODE	MANUFACTURERS PART NUMBER OR GENERIC TYPE	TOT QTY	R S Q	N O T E
A 13	*	RCU INPUT SIGNAL INVERTER PCB	346239	89536	346239	1		
C 1, 2		CAP, CER, 0.22UF, +-20%, 50V, Z5U	309849	71590	CW3C0C224K	2	3	
J 83	*	CONNECTOR, CARD-EDGE, FEMAL, 43/86 PIN	335281	89536	335281	2		1
MP 1	*	HOUSING 1, INVERTER	351619	89536	351619	1		
MP 2	*	HOUSING 2, INVERTER	351593	89536	351593	1		
U 1- 11	*	IC, DTL, HEX INVERTER	268367	04713	MC836P	11		

NOTE 1 = INCLUDES P82



5200A -1081

Figure 603-1. -03 RCU Input Signal Inverter Assembly

Option —05 IEEE-488 Interface

NOTE

Installation of the IEEE-488 Interface Assembly into the 5200A does not degrade the 5200A Analog performance. However, when control is exercised by a high speed controller, through the interface, significant high frequency noise may be coupled to the 5200A output through radiation and system ground loops. Since the noise encountered varies with the controller connected into the system, the user should determine the amount of noise in his system, if outputs of less than 100mV are anticipated.

605-1. INTRODUCTION

605-2. Option —05 is an IEEE-488 standard interface which uses the subsets SH1, AH1, T6, TE0, L4, LE0, SR1, RL0, PP0, DC2 and DT0. All programming of the instrument is based on a character-serial, seven-bit ASCII code. Any characters not included in the instruction set are ignored by the interface. Status may be requested and an alphanumeric coded response of the status obtained.

605-3. The 5200A will vary its output as commands are entered through a control device. In addition to the programmable output of both frequency and voltage, control can be exercised over the Phase Lock, Sensing, Mode (Operate/Standby), Response Line Feed Suppression, and Interrupt Enable. The instrument may be addressed to obtain a two character status response or serial polled for a one byte response.

605-4. SPECIFICATIONS

605-5. The specifications of the IEEE-488 Interface are: full remote programming of voltage magnitude, frequency, sensing (internal/external), phase lock, response line feed suppression and mode (operate/standby). The interface is directly compatible with IEEE Interface Standards. Data returned on request includes Status of the Local/Remote, Standby/Operate, Limits,

Settling Time and Out of Range instruction. Selection of the Local/Remote mode can only be made from the Front Panel and there is no Front Panel indication of the instrument output.

605-6. INSTALLATION

605-7. The IEEE-488 Standard Interface, Option —05, may be ordered as a factory installed option or as a field installable kit. If ordered for field installation use the following procedure:

1. Remove power from the instrument, then remove the top outer and inner cover.
2. Remove the plate covering the remote access port on the rear panel.
3. If installed, remove the screened rear cover-plate from the Interface Assembly.
4. If another remote control device is installed in the instrument remove it at this time.
5. Install the interface assembly into the slot (A11) reserved for Remote Control Units.
6. Place the screened rear cover plate over the interface connector and attach it to the rear panel and interface with the four screws provided.

605-8. OPERATING FEATURES

605-9. Installation of Option —05 in the instrument adds the Operator Switches shown in Figure 605-1. Switches A1 through A5 are used to control the local address of the Calibrator. They may be set to the binary equivalent of any number, 0 through 30, that the controller has assigned the 5200A for an address. The setting for number 31 (11111) is reserved for the "Unlisten" instruction. Place the switches to the left for a "1" and to the right for a "0" and set the interface address using the codes in Table 605-1.

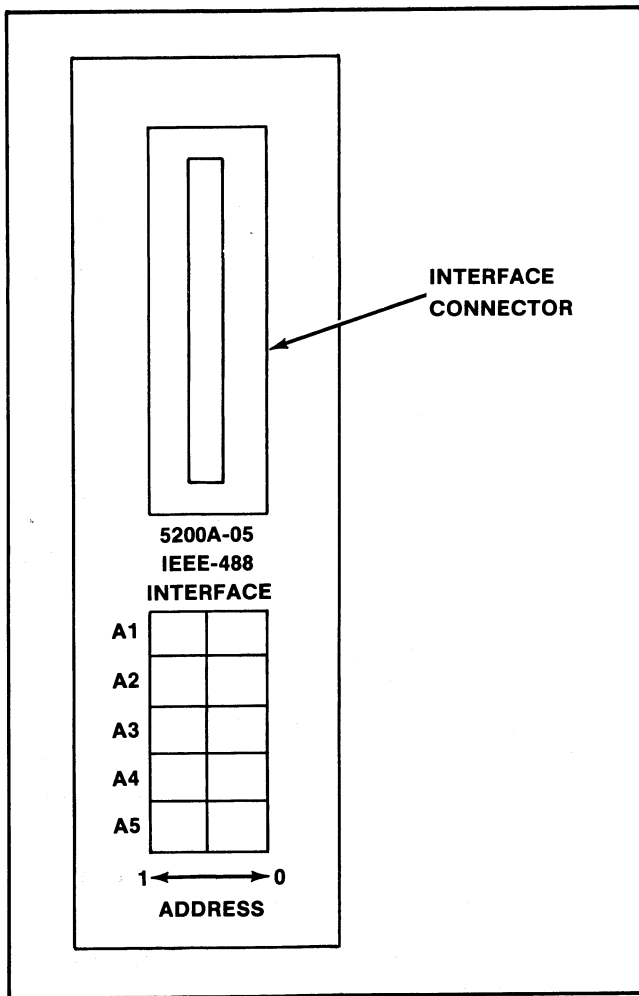


Figure 605-1. IEEE Address Switches

605-10. The address lines are five-bits of the seven-bit characters transmitted. The two high order bits of the seven lines are manipulated by the controller to differentiate between "Listen" (accept commands), "Talk" (send status), and commands to the interface.

605-11. OPERATING NOTES

605-12. Programming Instructions

605-13. Instructions can be either instrument control or output control. In addition, a status response may be obtained. An explanation and breakdown of these instructions and their respective codes are given in the following sub-paragraphs. All the codes with a brief explanation of each are listed in Table 605-2.

605-14. Instrument Control

605-15. These instructions are used to control the internal operation of the instrument. They perform such housekeeping tasks as clear, reset, suppress line feed and selection of the status that will generate an interrupt. The first instruction of any message must be preceded by the

Table 605-1. Allowable Listen and Talk Addresses

DECIMAL	5 4 3 2 1 BINARY	ASCII CHARACTER	
		LISTEN	TALK
0	0 0 0 0 0	SP	@
1	0 0 0 0 1	!	A
2	0 0 0 1 0	"	B
3	0 0 0 1 1	#	C
4	0 0 1 0 0	\$	D
5	0 0 1 0 1	%	E
6	0 0 1 1 0	&	F
7	0 0 1 1 1	'	G
8	0 1 0 0 0	(H
9	0 1 0 0 1)	I
10	0 1 0 1 0	*	J
11	0 1 0 1 1	+	K
12	0 1 1 0 0	,	L
13	0 1 1 0 1	-	M
14	0 1 1 1 0	.	N
15	0 1 1 1 1	/	O
16	1 0 0 0 0	0	P
17	1 0 0 0 1	1	Q
18	1 0 0 1 0	2	R
19	1 0 0 1 1	3	S
20	1 0 1 0 0	4	T
21	1 0 1 0 1	5	U
22	1 0 1 1 0	6	V
23	1 0 1 1 1	7	W
24	1 1 0 0 0	8	X
25	1 1 0 0 1	9	Y
26	1 1 0 1 0	:	Z
27	1 1 0 1 1	;	[
28	1 1 1 0 0	<	\
29	1 1 1 0 1	=]
30	1 1 1 1 0	>	^

listen address assigned the instrument by the system controller. Each of these functions are explained below.

605-16. CLEAR

605-17. The character "C" clears from the storage buffer any instruction, of two or more characters, that has not had the last character entered.

605-18. RESET

605-19. The character "*" resets the instrument to the initialize state, which is:

1. 100 μ V selected on the 1mV range.
2. 1kHz selected on the 1kHz range.
3. Standby
4. Remote

Table 605-2. Programming Instructions

INSTRUCTION	EXPLANATION
C	Clears incomplete instruction
*	Resets and initializes instrument
J	Suppresses automatic line feed in response
I1-I7	Enables selected interrupt circuits
0-9	Numerics for programming voltage or frequency
V	Selects voltage specified by preceding numerics
H	Selects frequency specified by preceding numerics
E	Number following is exponent of 10 for preceding numerics
S	Selects Standby Mode
N	Selects Operate Mode
F0	Disables Phases lock
F1	Enables Phase lock
X0	Selects Internal Sensing
X1	Selects External Sensing

NOTE!

The calibrator mode with the 5205 or 5215 connected requires a 2 second wait between voltage called and Operate (N) command.

5. Internal Sense
6. Phase Lock Off
7. Line feeds enabled

605-20. SUPPRESS LINE FEED

605-21. The character "J" suppresses the automatic line feed in the status response message. To override the suppression program the Reset instruction described above.

605-22. INTERRUPT ENABLE

605-23. The character "I" followed by a numeric between 0 and 7 selects the state, or states, that enable the Interrupt circuits. The numerics define which status bits will generate the interrupt or service request (SRQ). Refer to Table 605-3 for an explanation of the numeric codes.

Table 605-3. Interrupt Codes

NUMERIC	STATUS BIT ENABLED		
	READY	OUT OF RANGE	LIMIT
0	No	No	No
1	No	No	Yes
2	No	Yes	No
3	No	Yes	Yes
4	Yes	No	No
5	Yes	No	Yes
6	Yes	Yes	No
7	Yes	Yes	Yes

605-24. Output Control

605-25. These instructions program and control the output of the instrument. They select the output voltage magnitude and frequency, and select the operating mode and conditions.

605-26. OUTPUT VOLTAGE AND FREQUENCY

605-27. The output voltage and frequency magnitude is programmed by entering the numerics for the value of magnitude desired, including the character "E" for the exponent of ten, if required, followed by "V" for Volts or "H" for Hertz. Examples of voltage and frequency instructions are given in Table 605-4.

Table 605-4. Voltage and Frequency Instructions

INSTRUCTION	REQUIREMENT
1.23V400H	1.23Volts at 400 Hertz
57E-3V1E3H or 057V1000H	57mV at 1 kHz
1E6H	1MHz, Voltage remains the same
1000V60H or 1E3V60H	1000 Volts at 60 Hertz
178.34V or 1.7834E2V	178.34 Volts, frequency remains the same

605-28. OPERATING MODE

605-29. The instrument is placed in OPERATE by programming the character "N" and returned to STANDBY with the character "S".

605-30. PHASE LOCK AND SENSING INSTRUCTIONS

605-31. Phase lock is enabled with the character set "F1" and disabled with "F0". Internal Sensing is selected with the character set "X0" and External Sensing with "X1".

605-32. Status Response

605-33. The message returned for a status response varies with the state of the Serial Poll. When Serial Poll is enabled and the interface is addressed as a talker a single status byte, as shown in Table 605-5., is returned. If serial poll is disabled a two digit message, as shown in Table 605-6., is returned.

Table 605-5. Serial Poll Status Byte

BIT	FUNCTION PRESENT WHEN:	
	HIGH	LOW
1 (LSB)	Limit	Not Limited
2	Standby	Operate
3	Local	Remote
4	Out of Range	In Range
5	Settling	Not Settling
6	Not Used	Not Used
7	SRQ	No SRQ
8 (MSB)	Not Used	Not Used

605-34. THEORY OF OPERATION

605-35. The theory of operations for the IEEE-488 Interface is given in the following paragraphs on a block diagram level. The description includes an explanation of the operation of the interface in both the listen and talk modes since the calibrator is capable of both listening (accepting commands to change voltage, frequency and status) and talking (transmitting status information) to the bus. The calibrator is assigned, through the interface, a five bit address, which is the five low order bits of an ASCII character. The two high order bits determine whether it is to be a talk or listen address. Refer to Table 605-1 for the addresses available. The address 11111 is reserved for the "unlisten" and the "untalk" commands which prevent the 5200A from misunderstanding the information on the bus and talking or listening to itself. The block diagram of the interface used in the discussion is found in Figure 605-2.

605-37. Listen Mode

605-38. To operate in the Listen Mode, the pre-selected address must be on the Data Lines and the REN

and ATN command lines active. This action, followed by active DAV and RFD signals, sets control flip-flops in the Data Decoders and Control Storage, preparing the interface microprocessor to accept instructions from the controller. After the data has been accepted, the DAC lines becomes active, inactivating ATN and DAV. The last action results in the DAC signal returning to inactive so that the interface is now ready to accept instruction.

605-39. Starting an instruction requires the ASCII code for the desired instruction on the data lines with ATN inactive and RFD active. The Controller drives DAV active to start the Handshake sequence. Once the data has been accepted in the microprocessor, the DAC signal goes active to complete the Handshake sequence. The microprocessor acts on the instruction, transforms it into the digital format required and outputs the instruction to the 5200A, passing through the digital-to-analog converter or stored pending a complete instruction, if required.

605-40. Talk Mode

605-41. The Talk Mode requires the ATN signal active and the correct address, just as the Listen Mode, to differentiate between it and an instruction. The start of the Handshake sequence latches the command into the Data Decoders and Control Storage for transfer to the microprocessor. Once the Handshake sequence is complete, the interface is in the Talk mode and can begin transmitting data to the Controller.

605-42. After the addressing has been completed, the microprocessor accepts the data on the lines from the 5200A and outputs it through Data Storage to the Data I/F Transceivers and Controller. After completion, dependent upon the mode selected, it will transmit either a single character or double character message, as determined by the serial poll status.

605-43. MAINTENANCE

605-44. Refer to the General Maintenance portion of Section 4 and the Installation portion of this procedure for instructions of removing and cleaning the pcb.

Table 605-6. Status Message, Serial Poll Disabled

BIT	FIRST DIGIT			SECOND DIGIT		
	LOCAL	STANDBY	LIMIT	BIT	SETTLING	OUT OF RANGE
0	No	No	No	0	No	No
1	No	No	Yes	1	No	Yes
2	No	Yes	No	2	Yes	No
3	No	Yes	Yes	3	Yes	Yes
4	Yes	No	No			
5	Yes	No	Yes			
6	Yes	Yes	No			
7	Yes	Yes	Yes			

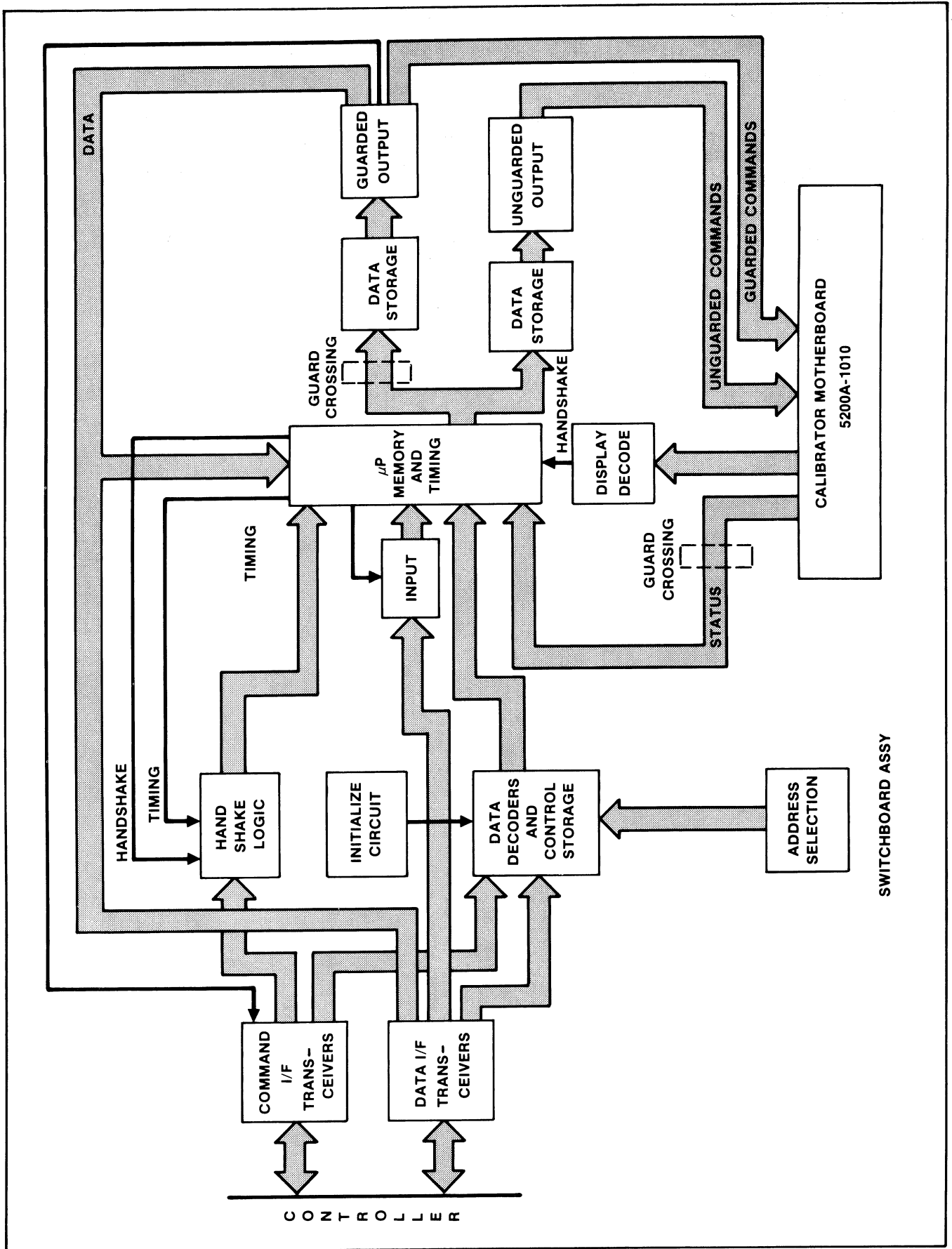


Figure 605-2. IEEE Interface Block Diagram

605-45. PERFORMANCE TEST

605-46. Connect a Voltmeter and Frequency Counter to the 5200A Output, then program the instruction set, verifying the 5200A has the proper output and response on the MODE, PHASE LOCK and SENSE indicators.

605-47. CALIBRATION

605-48. There is no calibration required for the IEEE-488 Interface Assembly

605-49. THROUBLESHOOTING

605-50. Troubleshooting for the 5200A Option —05 IEEE interface consists of the tabular flow chart in Table 605-7. When a step on the flow chart is completed, check for a decision transfer. If no decision is required, perform the next step of the table in sequence.

605-51. LIST OF REPLACEABLE PARTS

605-52. A list of replaceable parts for the IEEE-488 Interface Option begins with Table 605-8. Refer to Section 5 for an explanation of the columnar entries.

Table 605-7. Troubleshooting

STEP NO.	ACTION	Go to the step number given for correct response	
		YES	NO
	<p style="text-align: center;">NOTE</p> <p>High and Low logic levels called out during this table are standard TTL signals levels of $> 2.4V$ (high) and $\leq 0.8V$ (low) and can be checked with an oscilloscope or logic tester.</p>		
1	Prepare the 5200A for the test by selecting 100 μV at 1 kHz, External Sense, Phase Lock, Operate and Remote.		
2	Program the applicable "listen" address and the reset instruction "***".		
3	Did the 5200A go to Standby, Internal Sense, Phase Lock OFF and 100 μV at 1 kHz?	9	4
4	Did at least one, but not all of the originally selected states change with the reset?	9	5
5	Check for MLA at U34-35 to insure the interface has been properly addressed and can accept the instruction.		
6	Is the Signal High?	8	7
7	Verify that ATN is low at the input, then check the transceivers (U73/74) addressing circuits, handshake circuitry, and the listen flip-flop (U55). Repairs required then resume at Step 1.		
8	Check the microprocessor; the logic input, e.g. REMOTE and its associated circuits, then repair as required and resume at Step 1.		
9	Program the instruction "N" followed by "S" while observing the front panel.		
10	Did the OPER indicator illuminate, then extinguish, and the STDBY indicator extinguish, then illuminate?	12	11
11	Check U7-12 for a low with "N" entered and high with "S". While the keyswitch is held depressed check at the inputs of U23 and U73/U74 for the applicable ASCII code. Repair as required then resume at Step 9.		
	<p style="text-align: center;">NOTE</p> <p>Due to the speed of the microprocessor individual codes are not recognizable on the bus lines until they are entered into a latching device.</p>		
12	Program the instruction "F1" followed by "F0" while observing the front panel.		
13	Did the PHASE LOCK ON indicator illuminate then extinguish?	15	14
14	Check U5-12 for a low with "F1" entered and high with "F0". While the key switches are held depressed, check at the inputs of U23 and U73/U74 for the applicable ASCII code. Repair as required then resume at Step 12.		
15	Program the instruction "X1" followed by "X0" while observing the front panel.		
16	Did the EXT SENSE indicator illuminate, then extinguish, and the INT SENSE indicator extinguish then illuminate?	18	17
17	Check U4-12 for a low with "X1" entered and high with "X0". While the key switches are held depressed, check at the inputs, of U23 and U73/U74 for the applicable ASCII code. Repair as required then resume at Step. 15.		

Table 605-7. Troubleshooting (Cont'd.)

STEP NO.	ACTION	Go to the step number given for correct response	
		YES	NO
	<p style="text-align: center;">NOTE</p> <p>Outputs within the voltage group include pin 5 of U4, U5, U6 and U7, and pins 4, 5, 6, 7 and 9 of U24, U25, U26 and U27. In tests of voltage programming a state will be given for some portion of the group and the remainder should be in the opposite state for that particular instruction.</p>		
18	Program the instruction "111.111E-6V"		
19	Are pins U7-5, U27-4, U27-5, U27-6, U27-7 and U27-9 low, with the remaining pins of the voltage group high?	21	20
20	Check the decoders U7 and U27, and their inputs from U34. If the outputs are partially correct check the entry applicable to that output by holding down the key and checking at U23 and U73/U74. Repair as required then resume at Step 18.		
21	Program the instruction "222.222E-6V".		
22	Are pins U6-5, U26-4, U26-6, U26-7 and U26-9 low, with the remaining pins of the voltage group high?	24	23
23	Check the decoders U6 and U26, and their inputs from U34. If the outputs are partially correct check the input to U34 for the applicable entry. Repair as required then resume at Step 21.		
24	Program the instruction "444.444E-6V".		
25	Are pins U5-5, U25-4, U25-5, U25-6, U25-7 and U25-9 low, with the remaining pins of the voltage group high?	27	26
26	Check the decoders U5 and U25 and their inputs from U34. If the outputs are partially correct check the input to U34 for the applicable entry. Repair as required then resume at Step 24.		
27	Program the instruction "888.888E-6V".		
28	Are pins U4-5, U24-4, U24-5, U24-6, U24-7 and U24-9 low, with the remaining pins of the voltage group high?	30	29
29	Check the decoders U4 and U24, and their inputs from U34. If the outputs are partially correct check the input to U34 for the applicable entry. Repair as required then resume at Step 27.		
	<p style="text-align: center;">NOTE</p> <p>Outputs within the frequency group include pins 7, 9, 10 and 11 of U4, U5, U6 and U7. In tests of frequency programming a state will be given for some portion of the group and the remainder should be in the opposite state for that particular instruction.</p>		
30	Program the instruction "11.11H".		
31	Are pins U7-7, U7-9, U7-10 and U7-11 low, with the remaining pins of the frequency group high?	33	32
32	Check the decoder U7, the microprocessor U34 and its inputs. Repair as required then resume at Step 30.		
33	Program the instruction "22.22H".		
34	Are pins U6-7, U6-9, U6-10 and U6-11 low, with the remaining pins of the frequency group high?	36	35

Table 605-7. Troubleshooting (Cont'd.)

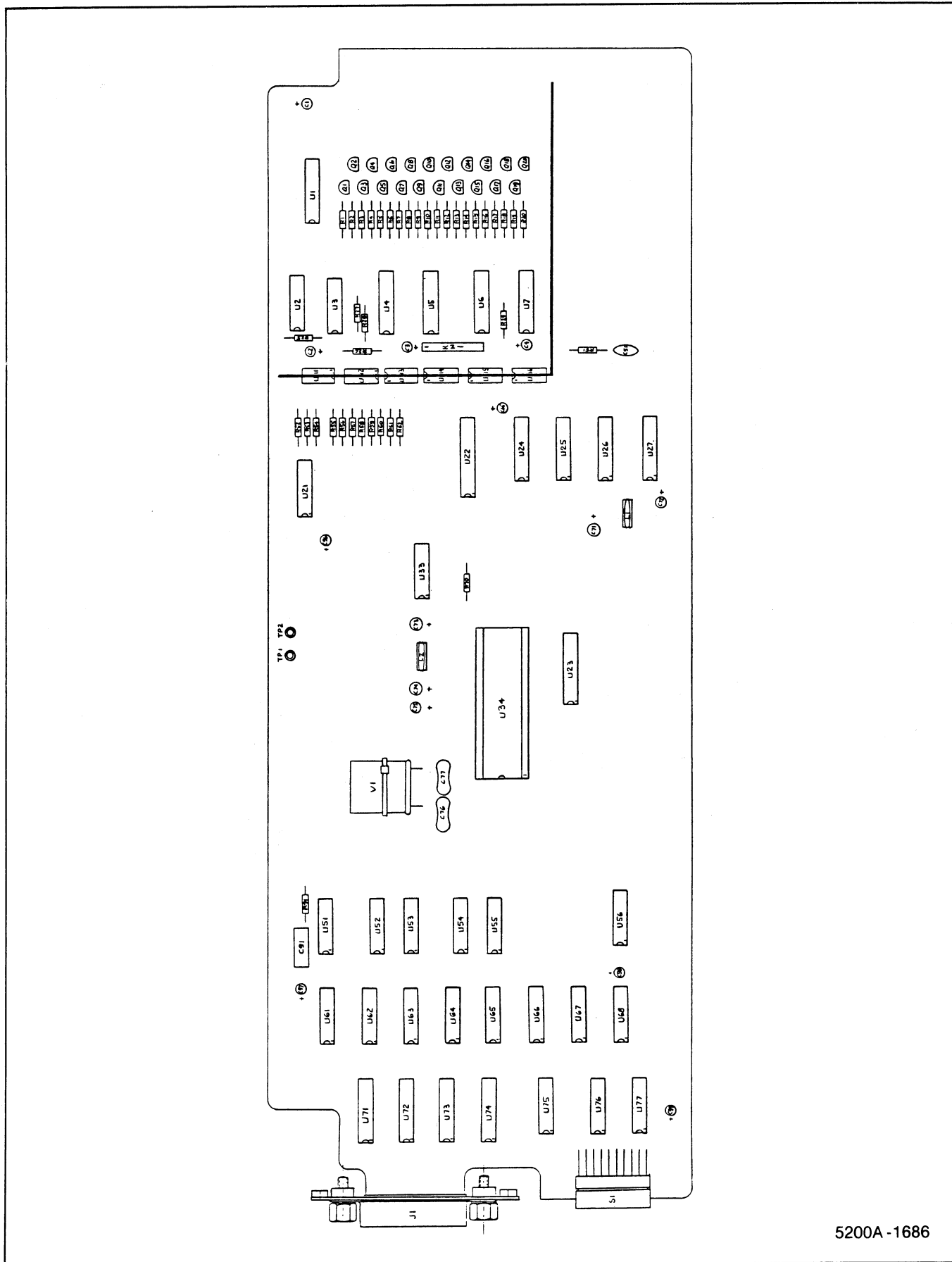
STEP NO.	ACTION	Go to the step number given for correct response																																	
		YES	NO																																
35	Check the decoder U6, the microprocessor U34 and its inputs. Repair as required then resume at Step 33.																																		
36	Program the instruction "44.44H".																																		
37	Are pins U5-7, U5-9, U5-10 and U5-11 low, with the remaining pins of the frequency group high?	39	38																																
38	Check the decoder U5, the microprocessor U34 and its inputs. Repair as required then resume at Step 36.																																		
39	Program the instruction "88.88H".																																		
40	Are pins U4-7, U4-9, U4-10 and U4-11 low, with the remaining pins of the frequency group high?	42	41																																
41	Check decoder U4, the microprocessor U34 and its inputs. Repair as required then resume at Step 39.																																		
42	Program the following instructions and check the points listed for the correct logic level at the voltage range selected.																																		
	<table border="0"> <thead> <tr> <th>Instructions</th> <th>U5-4</th> <th>U6-4</th> <th>U7-4</th> </tr> </thead> <tbody> <tr> <td>1E-3V</td> <td>High</td> <td>High</td> <td>Low</td> </tr> <tr> <td>1E-2V</td> <td>High</td> <td>Low</td> <td>High</td> </tr> <tr> <td>1E-1V</td> <td>High</td> <td>Low</td> <td>Low</td> </tr> <tr> <td>1V</td> <td>Low</td> <td>High</td> <td>High</td> </tr> <tr> <td>10V</td> <td>Low</td> <td>High</td> <td>Low</td> </tr> <tr> <td>100V</td> <td>Low</td> <td>Low</td> <td>High</td> </tr> <tr> <td>1000V</td> <td>Low</td> <td>Low</td> <td>Low</td> </tr> </tbody> </table>	Instructions	U5-4	U6-4	U7-4	1E-3V	High	High	Low	1E-2V	High	Low	High	1E-1V	High	Low	Low	1V	Low	High	High	10V	Low	High	Low	100V	Low	Low	High	1000V	Low	Low	Low		
Instructions	U5-4	U6-4	U7-4																																
1E-3V	High	High	Low																																
1E-2V	High	Low	High																																
1E-1V	High	Low	Low																																
1V	Low	High	High																																
10V	Low	High	Low																																
100V	Low	Low	High																																
1000V	Low	Low	Low																																
43	Are the logic levels correct for the voltage range selected?	45	44																																
44	Check the decoders U5, U6 and U7, and the microprocessor U34. Repair as required then resume at Step 42.																																		
45	Program the following instructions and check the points listed for the correct logic level at the frequency range selected.																																		
	<table border="0"> <thead> <tr> <th>Instruction</th> <th>U5-6</th> <th>U6-6</th> <th>U7-6</th> </tr> </thead> <tbody> <tr> <td>100H</td> <td>High</td> <td>High</td> <td>High</td> </tr> <tr> <td>1E3H</td> <td>High</td> <td>High</td> <td>Low</td> </tr> <tr> <td>1E4H</td> <td>High</td> <td>Low</td> <td>High</td> </tr> <tr> <td>1E5H</td> <td>High</td> <td>Low</td> <td>Low</td> </tr> <tr> <td>1E6H</td> <td>Low</td> <td>High</td> <td>High</td> </tr> </tbody> </table>	Instruction	U5-6	U6-6	U7-6	100H	High	High	High	1E3H	High	High	Low	1E4H	High	Low	High	1E5H	High	Low	Low	1E6H	Low	High	High										
Instruction	U5-6	U6-6	U7-6																																
100H	High	High	High																																
1E3H	High	High	Low																																
1E4H	High	Low	High																																
1E5H	High	Low	Low																																
1E6H	Low	High	High																																
46	Are the logic levels correct for the frequency range selected?	48	47																																
47	Check the decoders U5, U6 and U7, and the microprocessor U34. Repair as required then resume at Step 45.																																		
48	Program the instruction required by the controller in use for Interface Clear (IFC).																																		

Table 605-7. Troubleshooting (Cont'd.)

STEP NO.	ACTION	Go to the step number given for correct response	
		YES	NO
	NOTE At this time the IFC resets only the listen (MLA) flip-flop. It would also reset the talk (MTA) and Serial Poll (SPM) flip-flops if they had been set.		
49	Is there a low logic level at U55-3 and a high at U55-2?	51	50
50	Check for an input at U21-10 and a reset at U55-10. Repair as required then program the instruments listen address verify the U55-3 was sit high, and resume at Step 48.		
51	Enable the Serial Poll mode with the instruction required by the controller in use.		
52	Is there a high logic level at U54-5?	54	53
53	Check U54 and its input logic. Repair as required then resume at Step 51.		
54	Program the talk address of the instrument.		
55	Did the instrument respond with a one character status message containing the correct information?	57	56
56	Check for a high logic level at U55-5, check the microprocessor U34 and U73/U74. Repair as required then resume at Step 54.		
57	Disable the Serial Poll mode with the instruction required by the controller in use.		
58	Is there a low logic level at U54-5.	60	59
59	Check U54 and its input logic. Repair as required then resume at Step 57.		
60	Program the talk address of the instrument.		
61	Did the instrument respond with a two character status message containing the correct information?	63	62
62	Check U55, the microprocessor U34, and U73/U74. Repair as required then resume at Step 60.		
63	Troubleshooting of the IEEE option is now complete.		

TABLE 605-8. -05 IEEE-488 INTERFACE ASSEMBLY
(SEE FIGURE 605-3.)

REFERENCE DESIGNATOR	FLUKE STOCK	MFRS SPLY	MANUFACTURERS PART NUMBER	TOT QTY	R S	N O T
A->NUMERICS-----> S -----DESCRIPTION-----	---NO---	CODE--	---OR GENERIC TYPE---	QTY	--Q	--E
A 14	449736	89536	449736	1		
C 1- 4, 65,	161331	56289	196D224X0035HA1	9		
C 96- 99	161331					
C 51	106732	71590	CF122	1		
C 71- 74	330642	56289	196D104X0020KA1	4		
C 75	161919	56289	196D010X0035G	1		
C 76, 77	148551	02799	DM15C220J	2		
C 91	393439	80031	719A1	1		
H 1	429472	89536	429472	2		
H 2	111070	89536	111070	2		
J 1	408898	89536	408898	1		
L 1, 2	320911	89536	320911	2		
MP 1	172080	89536	172080	1	1	
MP 2	468652	89536	468652	1		
MP 3	450155	89536	450155	1		
Q 1- 20	* 195974	64713	2N3906	20	1	
R 1- 20	348839	80031	CR251-4-5P10K	20		
R 22, 29, 70	343400	80031	CR251-4-5P2K2	3		
R 25, 26, 28,	441436	80031	CR251-4-5P180E	11		
R 55- 62	441436					
R 27	348821	01121	CB4725	1		
R 51	348771	80031	CR251-4-5P100E	1		
R 52- 54	368712	80031	CR251-4-5P5K1	3		
R 91	441543	80031	CR251-4-5P390E	1		
RN 1	412916	80031	95081002CL	1		
S 1	417766	00779	435470-4	1		
TP 1, 2	179283	88245	2010B-5	2		
U 1	* 408146	12040	DM8095N	1	1	
U 2, 21, 62,	* 393058	01295	SN74LS04N	4	1	
U 75	* 393058					
U 3	292953	01295	SN7400N	1	1	
U 4- 7, 24-	* 419242	01295	SN74LS259N	8	1	
U 27	* 419242					
U 8	* 404202	01295	SN74LS221N	1	1	
U 11, 12	454330	07263	MCT-6	2	1	
U 13- 16	429894	28480	5082-4355	4	1	
U 22, 23	* 429902	12040	DM81LS95N	2	2	
U 33	* 393215	01295	SN74LS175N	1	1	
U 34	* 454652	89536	454652	1		
U 51, 64, 68	* 393041	01295	SN74LS02N	3	1	
U 52, 54, 55,	* 393157	01295	SN74LS107N	4	1	
U 61	* 393157					
U 53	393033	01295	SN74LS00N	1	1	
U 56, 65, 76,	* 393124	01295	SN74LS74N	1	1	
U 77	* 404889	01295	SN74LS30N	4	1	
U 66	* 393108	01295	SN74LS32N	1	1	
U 67	* 393066	01295	SN74LS08N	1	1	
U 71- 74	* 428649	04713	MC3446P	4		
V 1	* 393322	89536	393322	1		
XS 1	453068	51167	20-823-90C	1		
XU 34	429282	09922	DILB40F-10B	1	4	



5200A -1686

Figure 605-3. -05 IEEE Interface Assembly

)

Section 7

General Information

7-1. This section of the manual contains generalized user information as well as supplemental information to the List of Replaceable Parts contained in Section 5.

)

List of Abbreviations and Symbols

A or amp	ampere	hf	high frequency	(+) or pos	positive
ac	alternating current	Hz	hertz	pot	potentiometer
af	audio frequency	IC	integrated circuit	p-p	peak-to-peak
a/d	analog-to-digital	if	intermediate frequency	ppm	parts per million
assy	assembly	in	inch(es)	PROM	programmable read-only memory
AWG	american wire gauge	intl	internal	psi	pound-force per square inch
B	bel	I/O	input/output	RAM	random-access memory
bcd	binary coded decimal	k	kilo (10 ³)	rf	radio frequency
°C	Celsius	kHz	kilohertz	rms	root mean square
cap	capacitor	kΩ	kilohm(s)	ROM	read-only memory
ccw	counterclockwise	kV	kilovolt(s)	s or sec	second (time)
cer	ceramic	lf	low frequency	scope	oscilloscope
cermet	ceramic to metal(seal)	LED	light-emitting diode	SH	shield
ckt	circuit	LSB	least significant bit	Si	silicon
cm	centimeter	LSD	least significant digit	serno	serial number
cmrr	common mode rejection ratio	M	mega (10 ⁶)	sr	shift register
comp	composition	m	milli (10 ⁻³)	Ta	tantalum
cont	continue	mA	milliampere(s)	tb	terminal board
crt	cathode-ray tube	max	maximum	tc	temperature coefficient or temperature compensating
cw	clockwise	mf	metal film	tcxo	temperature compensated crystal oscillator
d/a	digital-to-analog	MHz	megahertz	tp	test point
dac	digital-to-analog converter	min	minimum	u or μ	micro (10 ⁻⁶)
dB	decibel	mm	millimeter	uhf	ultra high frequency
dc	direct current	ms	millisecond	us or μs	microsecond(s) (10 ⁻⁶)
dmm	digital multimeter	MSB	most significant bit	uut	unit under test
dvm	digital voltmeter	MSD	most significant digit	V	volt
elect	electrolytic	MTBF	mean time between failures	v	voltage
ext	external	MTTR	mean time to repair	var	variable
F	farad	mV	millivolt(s)	vco	voltage controlled oscillator
°F	Fahrenheit	mv	multivibrator	vhf	very high frequency
FET	Field-effect transistor	MΩ	megohm(s)	vlf	very low frequency
ff	flip-flop	n	nano (10 ⁻⁹)	W	watt(s)
freq	frequency	na	not applicable	ww	wire wound
FSN	federal stock number	NC	normally closed	xfmr	transformer
g	gram	(-) or neg	negative	xstr	transistor
G	giga (10 ⁹)	NO	normally open	xtal	crystal
gd	guard	ns	nanosecond	xtlo	crystal oscillator
Ge	germanium	opnl ampl	operational amplifier	Ω	ohm(s)
GHz	gigahertz	p	pico (10 ⁻¹²)	μ	micro (10 ⁻⁶)
gmV	guaranteed minimum value	para	paragraph		
gnd	ground	pcb	printed circuit board		
H	henry	pF	picofarad		
hd	heavy duty	pn	part number		

Federal Supply Codes for Manufacturers

00213 Nytronics Comp. Group Inc. Subsidiary of Nytronics Inc. Formerly Sage Electronics Rochester, New York	02660 Bunker Ramo Corp., Conn Div. Formerly Amphenol-Borg Electric Corp. Broadview, Illinois	04946 Standard Wire & Cable Los Angeles, California	06751 Components, Inc. Semcor Div. Phoenix, Arizona
00327 Welwyn International, Inc. Westlake, Ohio	02799 Areo Capacitors, Inc. Chatsworth, California	05082 Replaced by 94988	06860 Gould Automotive Div. City of Industry, California
00656 Aerovox Corp. New Bedford, Massachusetts	03508 General Electric Co. Semiconductor Products Syracuse, New York	05236 Jonathan Mfg. Co. Fullerton, California	06961 Vernitron Corp., Piezo Electric Div. Formerly Clevite Corp., Piezo Electric Div. Bedford, Ohio
00686 Film Capacitors, Inc. Passaic, New Jersey	03614 Replaced by 71400	05245 Components Corp. now Corcom, Inc. Chicago, Illinois	06980 Eimac Div. Varian Associates San Carlos, California
00779 AMP Inc. Harrisburg, Pennsylvania	03651 Replaced by 44655	05277 Westinghouse Electric Corp. Semiconductor Div. Youngwood, Pennsylvania	07047 The Ross Milton Co. South Hampton, Pennsylvania
01121 Allen-Bradley Co. Milwaukee, Wisconsin	03797 Eidema Div. Genisco Technology Corp. Compton, California	05278 Replaced by 43543	07115 Replaced by 14674
01281 TRW Electronic Comp. Semiconductor Operations Lawndale, California	03877 Transistron Electronic Corp. Wakefield, Massachusetts	05279 Southwest Machine & Plastic Co. Glendora, California	07138 Westinghouse Electric Corp., Electronic Tube Div. Horsehead, New York
01295 Texas Instruments, Inc. Semiconductor Group Dallas, Texas	03888 KDI Pyrofilm Corp. Whippany, New Jersey	05397 Union Carbide Corp. Materials Systems Div. New York, New York	07233 TRW Electronic Components Cinch Graphic City of Industry, California
01537 Motorola Communications & Electronics Inc. Franklin Park, Illinois	03911 Clairex Electronics Div. Clairex Corp. Mt. Vernon, New York	05571 Use 56289 Sprague Electric Co. Pacific Div. Los Angeles, California	07256 Silicon Transistor Corp. Div. of BBF Group Inc. Chelmsford, Massachusetts
01686 RCL Electronics Inc. Manchester, New Hampshire	03980 Muirhead Inc. Mountainside, New Jersey	05574 Viking Industries Chatsworth, California	07261 Aumet Corp. Culver City, California
01730 Replaced by 73586	04009 Arrow Hart Inc. Hartford, Connecticut	05704 Replaced by 16258	07263 Fairchild Semiconductor Div. of Fairchild Camera & Instrument Corp. Mountain View, California
01884 Use 56289 Sprague Electric Co. Dearborn Electronic Div. Lockwood, Florida	04062 Replaced by 72136	05820 Wakefield Engineering Inc. Wakefield, Massachusetts	07344 Bircher Co., Inc. Rochester, New York
02114 Ferroxcube Corp. Saugerties, New York	04202 Replaced by 81312	06001 General Electric Co. Electronic Capacitor & Battery Products Dept. Columbia, South Carolina	07597 Burndy Corp. Tape/Cable Div. Rochester, New York
02131 General Instrument Corp. Harris ASW Div. Westwood, Maine	04217 Essex International Inc. Wire & Cable Div. Anaheim, California	06136 Replaced by 63743	07792 Lerma Engineering Corp. Northampton, Massachusetts
02395 Rason Mfg. Co. Brooklyn, New York	04221 Aemco, Div. of Midtex Inc. Mankato, Minnesota	06383 Panduit Corp. Tinley Park, Illinois	07910 Teledyne Semiconductor Formerly Continental Device Hawthorne, California
02533 Snelgrove, C.R. Co., Ltd. Don Mills, Ontario, Canada M3B 1M2	04222 AVX Ceramics Div. AVX Corp. Myrtle Beach, Florida	06473 Bunker Ramo Corp. Amphenol SAMS Div. Chatsworth, California	07933 Use 49956 Raytheon Co. Semiconductor Div. HQ Mountain View, California
02606 Fenwal Labs Div. of Travenal Labs. Morton Grove, Illinois	04423 Telonic Industries Laguna Beach, California	06555 Beede Electrical Instrument Co. Penacook, New Hampshire	08225 Industro Transistor Corp. Long Island City, New York
	04645 Replaced by 75376	06739 Electron Corp. Littleton, Colorado	
	04713 Motorola Inc. Semiconductor Products Phoenix, Arizona	06743 Clevite Corp. Cleveland, Ohio	

Federal Supply Codes for Manufacturers (cont)

08261 Spectra Strip Corp. Garden Grove, California	11726 Qualidyne Corp. Santa Clara, California	13606 Use 56289 Sprague Electric Co. Transistor Div. Concord, New Hampshire	16299 Corning Glass Electronic Components Div. Raleigh, North Carolina
08530 Reliance Mica Corp. Brooklyn, New York	12014 Chicago Rivet & Machine Co. Bellwood, Illinois	13839 Replaced by 23732	16332 Replaced by 28478
08806 General Electric Co. Miniature Lamp Products Dept Cleveland, Ohio	12040 National Semiconductor Corp. Danbury, Connecticut	14099 Semtech Corp. Newbury Park, California	16473 Cambridge Scientific Ind. Div. of Chemed Corporation Cambridge, Maryland
08863 Nylomatic Corp. Norrisville, Pennsylvania	12060 Diodes, Inc. Chatsworth, California	14140 Edison Electronic Div. Mc Gray-Edison Co. Manchester, New Hampshire	16742 Paramount Plastics Fabricators, Inc. Downey, California
08988 Use 53085 Skottie Electronics Inc. Archbald, Pennsylvania	12136 Philadelphia Handle Co. Camden, New Jersey	14193 Cal-R-Inc. formerly California Resistor, Corp. Santa Monica, California	16758 Delco Electronics Div. of General Motors Corp. Kokomo, Indiana
09214 G.E. Co. Semi-Conductor Products Dept. Power Semi-Conductor Products OPN Sec. Auburn, New York	12300 Potter-Brumfield Div. AMF Canada LTD. Guelph, Ontario, Canada	14298 American Components, Inc. an Insilco Co. Conshohocken, Pennsylvania	17001 Replaced by 71468
09353 C and K Components Watertown, Massachusetts	12323 Presin Co., Inc. Shelton, Connecticut	14655 Cornell-Dublier Electronics Division of Federal Pacific Electric Co. Govt. Control Dept. Newark, New Jersey	17069 Circuit Structures Lab. Burbank, California
09423 Scientific Components, Inc. Santa Barbara, California	12327 Freeway Corp. formerly Freeway Washer & Stamping Co. Cleveland, Ohio	14752 Electro Cube Inc. San Gabriel, California	17338 High Pressure Eng. Co., Inc. Oklahoma City, Oklahoma
09922 Burndy Corp. Norwalk, Connecticut	12443 The Budd Co. Polychem Products Plastic Products Div. Bridgeport, Pennsylvania	14869 Replaced by 96853	17545 Atlantic Semiconductors, Inc. Asbury Park, New Jersey
09969 Dale Electronics Inc. Yankton, S. Dakota	12615 U.S. Terminals Inc. Cincinnati, Ohio	14936 General Instrument Corp. Semi Conductor Products Group Hicksville, New York	17856 Siliconix, Inc. Santa Clara, California
10059 Barker Engineering Corp. Formerly Amerace, Amerace ESNA Corp. Kenilworth, New Jersey	12617 Hamlin Inc. Lake Mills, Wisconsin	15636 Elec-Trol Inc. Saugus, California	17870 Replaced by 14140
11236 CTS of Berne Berne, Indiana	12697 Clarostat Mfg. Co. Dover, New Hampshire	15801 Fenwal Electronics Inc. Div. of Kidde Walter and Co., Inc. Framingham, Massachusetts	18178 Vactec Inc. Maryland Heights, Missouri
11237 CTS Keene Inc. Paso Robles, California	12749 James Electronics Chicago, Illinois	15818 Teledyne Semiconductors, formerly Amelco Semiconductor Mountain View, California	18324 Signetics Corp. Sunnyvale, California
11358 CBS Electronic Div. Columbia Broadcasting System Newburyport, Minnesota	12856 Micrometals Sierra Madre, California	15849 Litton Systems Inc. Useco Div. formerly Useco Inc. Van Nuys, California	18612 Vishay Resistor Products Div. Vishay Intertechnology Inc. Malvern, Pennsylvania
11403 Best Products Co. Chicago, Illinois	12954 Dickson Electronics Corp. Scottsdale, Arizona	15898 International Business Machines Corp. Essex Junction, Vermont	18736 Voltronics Corp. Hanover, New Jersey
11503 Keystone Columbia Inc. Warren, Michigan	12969 Unitrode Corp. Watertown, Massachusetts	15909 Replaced by 14140	18927 GTE Sylvania Inc. Precision Material Group Parts Division Titusville, Pennsylvania
11532 Teledyne Relays Hawthorne, California	13103 Thermalloy Co., Inc. Dallas, Texas	16258 Space-Lok Inc. Burbank, California	19451 Perine Machinery & Supply Co. Seattle, Washington
11711 General Instrument Corp. Rectifier Division Hicksville, New York	13327 Solitron Devices Inc. Tappan, New York		19701 Electro-Midland Corp. Mepco-Electra Inc. Mineral Wells, Texas
	13511 Amphenol Cadre Div. Bunker-Ramo Corp. Los Gatos, California		20584 Enochs Mfg. Inc. Indianapolis, Indiana

Federal Supply Codes for Manufacturers (cont)

20891 Self-Organizing Systems, Inc. Dallas, Texas	28480 Hewlett Packard Co. Corporate HQ Palo Alto, California	43543 Nytronics Inc. Transformer Co. Div. Geneva, New York	70903 Belden Corp. Geneva, Illinois
21604 Bucheye Stamping Co. Columbus, Ohio	28520 Heyman Mfg. Co. Kenilworth, New Jersey	44655 Ohmite Mfg. Co. Skokie, Illinois	71002 Birnbach Radio Co., Inc. Freeport, New York
21845 Solitron Devices Inc. Transistor Division Riveria Beach, Florida	29083 Monsanto, Co., Inc. Santa Clara, California	49671 RCA Corp. New York, New York	71400 Bussmann Mfg. Div. of McGraw-Edison Co. Saint Louis, Missouri
22767 ITT Semiconductors Palo Alto, California	29604 Stackpole Components Co. Raleigh, North Carolina	49956 Raytheon Company Lexington, Massachusetts	71450 CTS Corp. Elkhart, Indiana
23050 Product Comp. Corp. Mount Vernon, New York	30148 AB Enterprise Inc. Ahoskie, North Carolina	50088 Mostek Corp. Carrollton, Texas	71468 ITT Cannon Electric Inc. Santa Ana, California
23732 Tracor Inc. Rockville, Maryland	30323 Illinois Tool Works, Inc. Chicago, Illinois	50579 Litronix Inc. Cupertino, California	71482 Clare, C.P. & Co. Chicago, Illinois
23880 Stanford Applied Engrng. Santa Clara, California	31091 Optimax Inc. Colmar, Pennsylvania	51605 Scientific Components Inc. Linden, New Jersey	71590 Centrelab Electronics Div. of Globe Union Inc. Milwaukee, Wisconsin
23936 Pamotor Div., Wm. J. Purdy Co. Burlingame, California	32539 Mura Corp. Great Neck, New York	53021 Sangamo Electric Co. Springfield, Illinois	71707 Coto Coil Co., Inc. Providence, Rhode Island
24248 Replaced by 94222	32767 Griffith Plastic Corp. Burlingame, California	54294 Cutler-Hammer Inc. formerly Shallcross, A Cutter-Hammer Co. Selma, North Carolina	71744 Chicago Miniature Lamp Works Chicago, Illinois
24355 Analog Devices Inc. Norwood, Massachusetts	32879 Advanced Mechanical Components Northridge, California	55026 Simpson Electric Co. Div. of Am. Gage and Mach. Co. Elgin, Illinois	71785 TRW Electronics Components Cinch Connector Operations Div. Elk Grove Village Chicago, Illinois
24655 General Radio Concord, Massachusetts	32897 Erie Technological Products, Inc. Frequency Control Div. Carlisle, Pennsylvania	56289 Sprague Electric Co. North Adams, Massachusetts	72005 Wilber B. Driver Co. Newark, New Jersey
24759 Lenox-Fugle Electronics Inc. South Plainfield, New Jersey	32997 Bourns Inc. Trimpot Products Division Riverside, California	58474 Superior Electric Co. Bristol, Connecticut	72092 Replaced by 06980
25088 Siemens Corp. Isilen, New Jersey	33173 General Electric Co. Products Dept. Owensboro, Kentucky	60399 Torin Corp. formerly Torrington Mfg. Co. Torrington, Connecticut	72136 Electro Motive Mfg. Co. Williamantic, Connecticut
25403 Amperex Electronic Corp. Semiconductor & Micro-Circuits Div. Slatersville, Rhode Island	34333 Silicon General Westminister, California	63743 Ward Leonard Electric Co., Inc. Mount Vernon, New York	72259 Nytronics Inc. Pelham Manor, New Jersey
27014 National Semiconductor Corp. Santa Clara, California	34335 Advanced Micro Devices Sunnyvale, California	64834 West Mfg. Co. San Francisco, California	72619 Dialight Div. Amperex Electronic Corp. Brooklyn, New York
27264 Molex Products Downers Grove, Illinois	34802 Electromotive Inc. Kenilworth, New Jersey	65092 Weston Instruments Inc. Newark, New Jersey	72653 G.C. Electronics Div. of Hydrometals, Inc. Brooklyn, New York
28213 Minnesota Mining & Mfg. Co. Consumer Products Div. St. Paul, Minnesota	37942 P.R. Mallory & Co., Inc. Indianapolis, Indiana	66150 Winslow Tele-Tronics Inc. Eaton Town, New Jersey	72665 Replaced by 90303
28425 Serv-/-Link formerly Bohannon Industries Fort Worth, Texas	42498 National Radio Melrose, Massachusetts	70485 Atlantic India Rubber Works Chicago, Illinois	72794 Dzus Fastener Co., Inc. West Islip, New York
28478 Deltrol Controls Div. Deltrol Corporation Milwaukee, Wisconsin		70563 Amperite Company Union City, New Jersey	72928 Gulton Ind. Inc. Gudeman Div. Chicago, Illinois

Federal Supply Codes for Manufacturers (cont)

72982 Erie Tech. Products Inc. Erie, Pennsylvania	75382 Kulka Electric Corp. Mount Vernon, New York	80583 Hammarlund Mfg. Co., Inc. Red Bank, New Jersey	83594 Burrhoughs Corp. Electronic Components Div. Plainfield, New Jersey
73138 Bechman Instrument Inc. Helipot Division Fullerton, California	75915 Littlefuse Inc. Des Plaines, Illinois	80640 Arnold Stevens, Inc. South Boston, Massachusetts	83740 Union Carbide Corp. Battery Products Div. formerly Consumer Products Div. New York, New York
73293 Hughes Aircraft Co. Electron Dynamics Div. Torrance, California	76854 Oak Industries Inc. Switch Div. Crystal Lake, Illinois	81073 Grayhill, Inc. La Grange, Illinois	84171 Arco Electronics Great Neck, New York
73445 Ampere Electronic Corp. Hicksville, New York	77342 AMF Inc. Potter & Brumfield Div. Princeton, Indiana	81312 Winchester Electronics Div. of Litton Industries Inc. Oakville, Connecticut	84411 TRW Electronic Components TRW Capacitors Ogallala, Nebraska
73559 Carling Electric Inc. West Hartford, Connecticut	77638 General Instrument Corp. Rectifier Division Brooklyn, New York	81483 Therm-O-Disc Inc. Mansfield, Ohio	84613 Fuse Indicator Corp. Rockville, Maryland
73586 Circle F Industries Trenton, New Jersey	77969 Rubbercraft Corp. of CA. LTD. Torrance, California	81483 International Rectifier Corp. Los Angeles, California	84682 Essex International Inc. Industrial Wire Div. Peabody, Massachusetts
73734 Federal Screw Products, Inc. Chicago, Illinois	78189 Shakeproof Div. of Illinois Tool Works Inc. Elgin, Illinois	81590 Korry Mfg. Co. Seattle, Washington	86577 Precision Metal Products of Malden Inc. Stoneham, Massachusetts
73743 Fischer Special Mfg. Co. Cincinnati, Ohio	78277 Sigma Instruments, Inc. South Braintree, Massachusetts	82305 Palmer Electronics Corp. South Gate, California	86684 Radio Corp. of America Electronic Components Div. Harrison, New Jersey
73899 JFD Electronics Co. Components Corp. Brooklyn, New York	78488 Stackpole Carbon Co. Saint Marys, Pennsylvania	82389 Switchcraft Inc. Chicago, Illinois	86928 Seastrom Mfg. Co., Inc. Glendale, California
73949 Guardian Electric Mfg. Co. Chicago, Illinois	78553 Eaton Corp. Engineered Fastener Div. Tinnerman Plant Cleveland, Ohio	82415 North American Phillips Controls Corp. Frederick, Maryland	87034 Illuminated Products Inc. Subsidiary of Oak Industries Inc. Anaheim, California
74199 Quan Nichols Co. Chicago, Illinois	79136 Waldes Kohinoor Inc. Long Island City, New York	82872 Roanwell Corp. New York, New York	88219 Gould Inc. Industrial Div. Trenton, New Jersey
74217 Radio Switch Corp. Marlboro, New Jersey	79497 Western Rubber Company Goshen, Indiana	82877 Rotron Inc. Woodstock, New York	88245 Litton Systems Inc. Useco Div. Van Nuys, California
74276 Signalite Div. General Instrument Corp. Neptune, New Jersey	79963 Zierick Mfg. Corp. Mt. Kisko, New York	82879 ITT Royal Electric Div. Pawtucket, Rhode Island	88419 Cornell-Dubilier Electronic Div. Federal Pacific Co. Fuquay-Varian, North Carolina
74306 Piezo Crystal Co. Carlisle, Pennsylvania	80031 Electro-Midland Corp. Mepco Div. A North American Phillips Co. Norristown, New Jersey	83058 The Carr Co., United Can Div. of TRW Cambridge, Massachusetts	88486 Plastic Wire & Cable Jewitt City, Connecticut
74542 Hoyt Elect. Instr. Works Penacook, New Hampshire	80145 LFE Corp., Process Control Div. formerly API Instrument Co. Chesterland, Ohio	83298 Bendix Corp. Electric Power Div. Eatontown, New Jersey	88690 Replaced by 04217
74970 Johnson E.F., Co. Waseca, Minnesota	80183 Use 56289 Sprague Products North Adams, Massachusetts	83330 Herman H. Smith, Inc. Brooklyn, New York	89536 John Fluke Mfg. Co., Inc. Seattle, Washington
75042 TRW Electronics Components IRC Fixed Resistors Philadelphia, Pennsylvania	80294 Bourns Inc., Instrument Div. Riverside, California	83478 Rubbercraft Corp. of America, Inc. West Haven, Connecticut	89730 G.E. Co., Newark Lamp Works Newark, New Jersey
75376 Kurz-Kasch Inc. Dayton, Ohio			
75378 CTS Knights Inc. Sandwich, Illinois			

Federal Supply Codes for Manufacturers (cont)

90201 Mallory Capacitor Co. Div. of P.R. Mallory Co., Inc. Indianapolis, Indiana	91836 King's Electronics Co., Inc. Tuckahoe, New York	95354 Methode Mfg. Corp. Rolling Meadows, Illinois	98291 Seaelectro Corp. Mamaroneck, New York
90211 Use 56365 Square D Co. Chicago, Illinois	91929 Honeywell Inc. Micro Switch Div. Freeport, Illinois	95712 Bendix Corp. Electrical Components Div. Microwave Devices Plant Franklin, Indiana	98388 Royal Industries Products Div. San Diego, California
90215 Best Stamp & Mfg. Co. Kansas City, Missouri	91934 Miller Electric Co., Inc. Div. of Aunet Woonsocket, Rhode Island	95987 Weckesser Co. Inc. Chicago, Illinois	98743 Replaced by 12749
90303 Mallory Battery Co. Div. of Mallory Co., Inc. Tarrytown, New York	92194 Alpha Wire Corp. Elizabeth, New Jersey	96733 San Fernando Electric Mfg. Co. San Fernando, California	98925 Replaced by 14433
91094 Essex International Inc. Suglex/IWP Div. Newmarket, New Hampshire	93332 Sylvania Electric Products Semiconductor Products Div. Woburn, Massachusetts	96853 Gulton Industries Inc. Measurement and Controls Div. formerly Rustrak Instruments Co. Manchester, New Hampshire	99120 Plastic Capacitors, Inc. Chicago, Illinois
91293 Johanson Mfg. Co. Boonton, New Jersey	94145 Replaced by 49956	96881 Thomson Industries, Inc. Manhasset, New York	99217 Bell Industries Elect. Comp. Div. formerly Southern Elect. Div. Burbank, California
91407 Replaced by 58474	94154 Use 94988 Wagner Electric Corp. Tung-Sol Div. Newark, New Jersey	97540 Master Mobile Mounts, Div. of Whitehall Electronics Corp. Ft. Meyers, Florida	99392 STM Oakland, California
91502 Associated Machine Santa Clara, California	94222 Southco Inc. formerly South Chester Corp. Lester, Pennsylvania	97913 Industrial Electronic Hardware Corp. New York, New York	99515 ITT Jennings Monrovia Plant Div. of ITT Jennings formerly Marshall Industries Capacitor Div. Monrovia, California
91506 Augat Inc. Attleboro, Massachusetts	95146 Alco Electronic Products Inc. Lawrence, Massachusetts	97945 Penwalt Corp. SS White Industrial Products Div. Piscataway, New Jersey	99779 Use 29587 Bunker-Ramo Corp. Barnes Div. Landsdowne, Pennsylvania
91637 Dale Electronics Inc. Columbus, Nebraska	95263 Leeecraft Mfg. Co. Long Island City, New York	97966 Replaced by 11358	99800 American Precision Industries Inc. Delevan Division East Aurora, New York
91662 Elco Corp. Willow Grove, Pennsylvania	95264 Replaced by 98278	98094 Replaced by 49956	99942 Centrelab Semiconductor Centrelab Electronics Div. of Globe-Union Inc. El Monte, California
91737 Use 71468 Gremar Mfg. Co., Inc. ITT Cannon/Gremar Santa Ana, California	95275 Vitramon Inc. Bridgeport, Connecticut	98159 Rubber-Teck, Inc. Gardena, California	Toyo Electronics (R-Ohm Corp.) Irvine, California
91802 Industrial Devices, Inc. Edgewater, New Jersey	95303 RCA Corp. Receiving Tube Div. Cincinnati, Ohio	98278 Malco A Microdot Co., Inc. Connector & Cable Div. Pasadena, California	National Connector Minneapolis, Minnesota
91833 Keystone Electronics Corp. New York, New York	95348 Gordo's Corp. Bloomfield, New Jersey		

U.S. SALES AREAS for all Fluke products

AL, Huntsville

John Fluke Mfg. Co., Inc.
3322 S. Memorial Parkway
Suite 96
Huntsville, AL 35801
(205) 881-6220

AZ, Tempe

John Fluke Mfg. Co., Inc.
2211 S. 48th Street
Suite B
Tempe, AZ 85282
(602) 438-8314

Tucson

(602) 790-9881

CA, Irvine

P.O. Box 19676
Irvine, CA 92713
16969 Von Karman
Suite 100
Irvine, CA 92714
(714) 863-9031

Los Angeles

John Fluke Mfg. Co., Inc.
20902 South Bonita St.
Carson, CA 90746
(213) 538-3900

San Diego

John Fluke Mfg. Co., Inc.
4540 Kearny Villa Rd., Suite 115
San Diego, CA 92123
(619) 292-7656

Santa Clara

John Fluke Mfg. Co., Inc.
2300 Walsh Ave., Bldg. K
Santa Clara, CA 95051
(408) 727-0513

CO, Denver

John Fluke Mfg. Co., Inc.
1980 South Quebec St. #4
Denver, CO 80231
(303) 750-1222

CT, Hartford

John Fluke Mfg. Co., Inc.
Glen Lochen East
41-C New London Turnpike
Glastonbury, CT 06033
(203) 659-3541

FL, Orlando

John Fluke Mfg. Co., Inc.
940 N. Fern Creek Ave.
Orlando, FL 32803
(305) 896-4881

GA, Atlanta

John Fluke Mfg. Co., Inc.
2700 Delk Rd., Suite 250
Marietta, GA 30067
(404) 953-4747

IA, Iowa City

(319) 354-2811

IL, Chicago

John Fluke Mfg. Co., Inc.
3740 Industrial Ave.
Rolling Meadows, IL 60008
(312) 398-0850

IN, Indianapolis

John Fluke Mfg. Co., Inc.
8777 Purdue Road
Suite 101
Indianapolis, IN 46268
(317) 875-7870

KS, Kansas City

(913) 381-9800

LA, New Orleans

(504) 455-0814

MA, Burlington

John Fluke Mfg. Co., Inc.
25 "B" Street
Burlington MA 01803
(617) 273-4674

MD, Baltimore

(301) 792-7060

Rockville

John Fluke Mfg. Co., Inc.
5640 Fishers Lane
Rockville, MD 20852
(301) 770-1570

MI, Detroit

John Fluke Mfg. Co., Inc.
33031 Schoolcraft
Livonia, MI 48150
(313) 522-9140

MN, Bloomington

John Fluke Mfg. Co., Inc.
1801 E. 79th St., Suite 9
Bloomington, MN 55420
(612) 854-5526

MO, St. Louis

John Fluke Mfg. Co., Inc.
2029 Woodland Parkway
Suite 105
St. Louis, MO 63141
(314) 993-3805

NC, Greensboro

John Fluke Mfg. Co., Inc.
1310 Beaman Place
Greensboro, NC 27408
(919) 273-1918

NJ, Paramus

John Fluke Mfg. Co., Inc.
P.O. Box 930
West 75 Century Road
Paramus, NJ 07652
(201) 262-9550

NM, Albuquerque

John Fluke Mfg. Co., Inc.
1108 Alvarado Drive N.E.
Albuquerque, NM 87110
(505) 881-3550

NY, Rochester

John Fluke Mfg. Co., Inc.
4515 Culver Road
Rochester, NY 14622
(716) 323-1400

OH, Cleveland

John Fluke Mfg. Co., Inc.
7830 Freeway Circle
Middleburg Heights, OH 44130
(216) 234-4540

Columbus

(614) 889-5715

Dayton

John Fluke Mfg. Co., Inc.
4756 Fishburg Rd.
Dayton, OH 45424
(513) 233-2238

OK, Tulsa

(918) 749-0190

OR, Portland

John Fluke Mfg. Co., Inc.
2700 NW 185th
Suite 2080
Portland, OR 97229
(503) 629-5928

PA, Philadelphia

John Fluke Mfg. Co., Inc.
1010 West 8th Ave., Suite H
King of Prussia, PA 19406
(215) 265-4040

Pittsburgh

(412) 261-5171

TX, Austin

(512) 459-3344

Dallas

John Fluke Mfg. Co., Inc.
14400 Midway Road
Dallas, TX 75234
(214) 233-9990

Houston

John Fluke Mfg. Co., Inc.
4240 Blue Bonnet Dr.
Stafford, TX 77477
(713) 491-5995

San Antonio

John Fluke Mfg. Co., Inc.
10417 Gulfdale
San Antonio, TX 78216
(512) 340-2621

UT, Salt Lake City

6914 So. 3000 East
Suite 206
Salt Lake City, UT 82021
(801) 268-9331

WA, Seattle

John Fluke Mfg. Co., Inc.
5020 148th Ave. N.E.
Suite 110
Redmond, WA 98052
(206) 881-6966

Service Center Areas

CA, Burbank (213) 849-4641
CA, Santa Clara (408) 727-8121
CO, Denver (303) 750-1228
FL, Orlando (305) 896-2296
IL, Chicago (312) 398-5880
MA, Burlington (617) 273-4678
MD, Rockville (301) 770-1576
NJ, Paramus (201) 262-9550
TX, Dallas (214) 233-9945
WA, Everett (206) 356-5560

For more information on Fluke products or Sales Offices you may dial (800) 426-0361 toll-free in most of the U.S.A. From Alaska, Hawaii, or Washington phone (206) 356-5400. From Canada and other countries phone (206) 356-5500.



John Fluke Mfg. Co., Inc., P.O. Box C9090, Everett, WA 98206
Fluke (Holland) B.V., P.O. Box 5053, 5004 EB, Tilburg, The Netherlands. Phone (013) 673973
Litho in U.S.A. 10/84

INTERNATIONAL SALES OFFICES

Argentina •

Coasin S.A.
Virrey del Pino 4071 DEP E-1
1430 CAP FED
Buenos Aires, Argentina
Tel: (1) 552-5248, TLX: (390) 22284

Australia •

Elmeasco Instruments Pty, Ltd.
P.O. Box 30
Concord, N.S.W. 2137
Australia
Tel: (2) 736-2888, TLX: (790) 25887

Elmeasco Instruments Pty, Ltd.
21-23 Anthony Drive
Mt. Waverly, Victoria 3149
Australia
Tel: (3) 233-4044, TLX: (790) 36206

Elmeasco Instruments Pty, Ltd.
Professional Suites Bldg.
G.P.O. Box 2360
Brisbane 4001, Australia
Tel: (7) 369-8688, TLX: (790) 44062

Elmeasco Instruments Pty, Ltd.
G.P.O. Box 1240
Adelaide, South Australia 5001
Tel: (8) 271-1839

Elmeasco Instruments Pty, Ltd.
P.O. Box 95
Gosnells, West Australia 6110
Australia
Tel: (9) 398-3362

Austria ■

Walter Rekersch Elektronische
Geräte GmbH & Co.
Vertrieb KG
Obachgasse 28
1220 Vienna, Austria
Tel: (222) 235555, TLX: (847) 134759

Bangladesh •

Motherland Corporation
24 Hatkhola Road, Tikatuli
Dacca-3, Bangladesh
Tel: 257249, TLX: (950) 642022

Belgium ■

Fluke (Belgium) S.A./N.V.
6 Rue de Geneve
1140 Brussels, Belgium
Tel: (2) 2164090, TLX: (846) 26312

Bolivia •

Coasin Bolivia S.R.L.
Casilla 7295
La Paz, Bolivia
Tel: (2) 40962, TLX: (336) 3233

Brazil •

Fluke Brasil-Industria e
Comercio Ltda.
Al. Amazonas 422,
Alphaville, Barueri,
CEP 06400, Sao Paulo, Brazil
Tel: (11) 421-5477, TLX: (391) 1135589

Fluke Brasil-Industria e
Comercio Ltda.
Av. Henrique Valadares, No. 23/401
Rio de Janeiro, Brazil
Tel: (21) 252-1297

Brunei •

Rank O'Connor's Berhad, Ltd.
No. 8 Block D Sufri Complex
Mile 1 Jalan Tutong
Bandar Seri Begawan
Negara Brunei Darussalam
Tel: (2) 23109 or 23557
TLX: (799) BU2265 RANKOC

Canada •

Allan Crawford Assoc., Ltd.
6503 Northam Drive
Mississauga, Ontario
L4V 1J2 Canada
Tel: (416) 678-1500, TLX: 06968769

Allan Crawford Assoc., Ltd.
7018 Cote de Liesse
St. Laurent, Quebec
H4T 1E7 Canada
Tel: (514) 731-8564, TLX: 05824944

Allan Crawford Assoc., Ltd.
881 Lady Ellen Place
Ottawa, Ontario
K1Z 5L3 Canada
Tel: (613) 722-7682, TLX: 0533600

Allan Crawford Assoc., Ltd.
Suite 106
4180 Lougheed Hwy.
Burnaby, British Columbia
V5C 6A8 Canada
Tel: (604) 294-1326, TLX: 0454247

Allan Crawford Assoc., Ltd.
1935 30th Avenue, N.E.
Calgary, Alberta
T2E 6Z5 Canada
Tel: (403) 230-1341, TLX: 03821186

Chile •

Intronica Chile, Ltda.
Manuel Montt 024-Of.D
Casilla 16228
Santiago 9, Chile
Tel: (2) 44940, TLX: (332) 240301

China, Peoples Republic of •

Fluke International Corp.
P.O. Box C9090 M/S 206-A
Everett, WA 98206 U.S.A.
Tel: (206) 356-5511
TLX: 185103 FLUKE UT

Colombia •

Sistemas E Instrumentacion, Ltda.
Carrera 13, No. 37-43, Of. 401
Ap. Aereo 29583
Bogota DE, Colombia
Tel: 232-4532, TLX: (396) 45787

Cyprus ■

Chris Radiovision, Ltd.
P.O. Box 1989
Nicosia, Cyprus
Tel: (21) 66121, TLX: (826) 2395

Cyprus, Northern

Ucok Buroteknik
2C & 2D Muftu Ziyai Street
Lefkosa, Northern Cyprus
Mersin 10, Turkey
Tel: (741) 357-20-71777, TLX: (821) 57267

Czechoslovakia ■

Amtest Associates, Ltd.
Clarence House
31 Clarence Street
Staines, Middlesex TW18 4SY
England
Tel: (784) 63555, TLX: (851) 928855

Denmark ■

Tage Olsen A/S
Ballerup Byvej 222
2750 Ballerup
Denmark
Tel: (2) 658111, TLX: (855) 35293

Ecuador •

Proteco Coasin Cia., Ltda.
P.O. Box 228-A
Ave. 12 de Octubre 2285
y Orellana
Quito, Ecuador
Tel: (2) 529684, TLX: (393) 2865

Proteco Coasin Cia., Ltda.
P.O. Box 9733
Ave. Principal No. 204
y Calle Segunda
Urbanizacion Miraflores
Guayaquil, Ecuador
Tel: (4) 387519

Egypt and Sudan ■

Electronic Engineering Liaison Office
P.O. Box 2891 Horreya
11361 Heliopolis, Cairo
Egypt
Tel: (2) 695705, TLX: (927) 23082

England ■

Fluke GB, Ltd.
Colonial Way
Watford, Herts,
WD2 4TT England
Tel: (923) 40511, TLX: (851) 934583

Fiji •

Awa Fiji
47 Forster Road
Walu Bay
Suva, Fiji
Tel: 312079, TLX: (792) FJ2347

Finland ■

Instrumentarium Electronics
P.O. Box 64
02631 Espoo 63
Finland
Tel: (0) 5281, TLX: (857) 124426

France ■

M.B. Electronique S.A.
Rue Fournay
P.O. Box 31
78530 BUC, France
Tel: (3) 956-8131, TLX: (842) 695414

German Democratic Republic ■

Amtest Associates, Ltd.
Clarence House
31 Clarence Street
Staines, Middlesex TW18 4SY
England
Tel: (784) 63555, TLX: (851) 928855

Germany, West ■

Fluke (Deutschland) GmbH
Oskar-Messter-Strasse 18
WG-8045 Ismaning/Munich
West Germany
Tel: (089) 96050, TLX: (841) 0522472
Rapifax: 49-89-9605166

Fluke (Deutschland) GmbH
Vertriebsbüro - Dusseldorf
Meineckestrasse 53
D-4000 Dusseldorf-30
West Germany
Tel: (0211) 450831, TLX: (841) 08585576

Fluke (Deutschland) GmbH
Vertriebsbüro - Hamburg
Habichtthorst 42
D-2000 Hamburg 61
West Germany
Tel: (40) 5519031, TLX: (841) 02174556

Greece ■

Hellenic Scientific Representations Ltd.
11, Vrassida Street
Athens 612, Greece
Tel: (1) 7211140, TLX: (863) 219330

Hong Kong •

Schmidt & Co (H.K.), Ltd
11th Floor, Great Eagle Centre
23 Harbour Road
Wanchai, Hong Kong
Tel: (5) 8330-222
TLX: (780) 74766 or (780) 76762

Hungary ■

Amtest Associates, Ltd.
Clarence House
31 Clarence Street
Staines, Middlesex TW18 4SY
England
Tel: (784) 63555, TLX: (851) 928855

India •

Hinditron Services Pvt., Ltd.
69/A.L. Jagmohandas Marg
Bombay 400 006, India
Tel: 8121316, 8125344, TLX: (953) 112326

Hinditron Services Pvt., Ltd.
8th Main Road
33/44A Raj Mahal Vilas Extension
Bangalore 560 080, India
Tel: 33139, TLX: (953) 0845741

Hinditron Services Pvt. Ltd.
Shantiniketan, Office No. 6
6th Floor, 8 Camac Street
Calcutta 700 017, India
Tel: 434032, 447541

Hinditron Services Pvt. Ltd.
204-5-6 Hemkunt Tower
98 Nehru Place
New Delhi, 110019, India
Tel: 640380, TLX: (953) 314890

Hinditron Services Pvt. Ltd.
Srinath Complex, 5th Floor
1-1-58/1 to 1-1-58/11
Sarojini Devi Road
Secunderabad 500 003, India
Tel: 821117, TLX: (953) 0155575

Indonesia •

P.T. Dwi Tunggal Jaya Sakti
P.O. Box 4435
Jalan Panglima Polim Raya #29
Kebayoran Baru
Jakarta Selatan, Indonesia
Tel: (21) 716374, TLX: (796) 47308

Ireland ■

Euro Instruments & Electronics Ltd.
Euro House
Swords Road, Santry
Dublin 9, Ireland
Tel: (1) 425666, TLX: (851) 31821



John Fluke Mfg. Co., Inc. / PO Box C9090 / Everett, WA 98206 / (206) 356 5400

Litho in U.S.A. 10/84

Israel ■

R.D.T. Electronics Engineering Ltd.
P.O. Box 43137
Tel Aviv 61430
Israel
Tel: (3) 483211, TLX: (922) 32143

Italy ■

Sistrel S.p.A.
Via Pelizza da Volpedo 59
20092 Cinisello Balsamo
Milan, Italy
Tel: (2) 6181893, TLX: (843) 334643

Sistrel S.p.A.
Via Giuseppe Armellini No. 39
00143 Rome, Italy
Tel: (6) 591-5551, TLX: (843) 680356

Sistrel S.p.A.
Via Cintia
Parco S. Paolo 35
80126 Naples, Italy
Tel: (81) 7679700

Japan ■

John Fluke Mfg. Co., Inc.
Japan Branch
Sumitomo Higashi Shinbashi Bldg.
1-1-11 Hamamatsucho
Minato-ku, Tokyo 105, Japan
Tel: (3) 434-0181, TLX: (781) 2424331

John Fluke Mfg. Co., Inc.
Japan Branch
SF Katsushige Building
2-45 Kohraibashi
Higashi-ku, Osaka 541
Japan
Tel: (6) 229-0871

Korea, Republic of ■

Electro-Science Korea Co.
201 Hyunjin Building
951-19 Bangbae-Dong Gangnam-ku
Seoul, Republic of Korea
Tel: (2) 583-7703, TLX: (787) 25381

Kuwait ■

Al Bahar International Group
P.O. Box 26672 Safat
Kuwait, Arabian Gulf
Tel: 848601, TLX: (959) 44822

Lebanon and Jordan ■

Mabek (Electronic Division)
P.O. Box 11-3823
Beirut, Lebanon
Tel: 812523, TLX: (923) 22889

Malaysia ■

Mecomb Malaysia SND BHD
Lot 20, Jalan 225
P.O. Box 24
Petaling Jaya, Malaysia
Tel: (3) 743422, TLX: (784) MA37764

Malta ■

Fabian Enterprises
20, Msida Road
Gzira, Malta
Tel: 513283/40216, TLX: (838) 1837

Mexico ■

Electronica y Tecnologia
Avanzada S.A. de C.V.
Pafnucio Padilla 53 5° Piso
Centro Comercial
53100 Ciudad Satelite
Estado de Mexico
Tel: (5) 3930902, TLX: (383) 172697

Mexicana de Electronica
Industrial, S.A. (Mexel)
Blvd. Ptd. Adolfo Lopez Mateos
Nos. 163 Col. Mixcoac
03910 Mexico
Tel: (5) 563-54-11, TLX: (383) 1771038

Nepal ■

Associated Enterprises
GPO Box 790, Pyaphal Tole
Kathmandu, Nepal
Tel: 13868

Netherlands ■

Fluke (Nederland) B.V.
Gasthuisring 14
P.O. Box 115
5000 AC Tilburg
The Netherlands
Tel: (13) 352455, TLX: (844) 52683

New Zealand ■

McLean Information Technology, Ltd.
459 Khyber Pass Road, Newmarket
P.O. Box 9464, Newmarket
Auckland 1, New Zealand
Tel: (9) 501-801; TLX: (791) NZ21570

McLean Information Technology, Ltd.
P.O. Box 496
Wellington, New Zealand
Tel: (4) 851-450 or 844-424

Norway ■

Morgenstjerne & Co A/S
Konghelligate 3
P.O. Box 6688 - Rodelokka
Oslo 5, Norway
Tel: (2) 356110, TLX: (856) 71719

Oman ■

OHI Telecommunications
P.O. Box 889
Muscat
Sultanate of Oman
Tel: 703862, TLX: (926) 3168

Pakistan ■

International Operations (PAK), Ltd.
505 Muhammadi House
I.I. Chundrigar Road
P.O. Box 5323, Karachi, Pakistan
Tel: (21) 221127, TLX: (952) 24494

Peru ■

Importaciones y Representaciones
Electronicas S.A.
Avda. Franklin D. Roosevelt 105
Lima 1, Peru
Tel: (14) 28-8650, TLX: (394) 25663

Philippines, Republic of ■

Spark Radio & Electronics, Inc.
452 Shaw Boulevard
Mandaluyong, Metro Manila
Republic of Philippines
Tel: (2) 775192, TLX: (722 or 732) 27901

Poland ■

Amtest Associates, Ltd.
Clarence House
31 Clarence Street
Staines, Middlesex TW18 4SY
England
Tel: (784) 63555, TLX: (851) 928855

Portugal ■

Decada Espectral
Equipamentos de Electronica
Av. Bombeiros Voluntarios
Lote 102B, Miraflores/Alges
1495 Lisbon, Portugal
Tel: (1) 2103420, TLX: (832) 15515

Qatar ■

Technology Organization
P.O. Box 5549
Doha, Qatar
Tel: 321431, TLX: (957) 4581

Rumania ■

Amtest Associates, Ltd.
Clarence House
31 Clarence Street
Staines, Middlesex TW18 4SY
England
Tel: (784) 63555, TLX: (851) 928855

Saudi Arabia ■

Electronic Equipment Marketing Co.
P.O. Box 3750
Riyadh, Saudi Arabia
Tel: (1) 477-1650, TLX: (928) 201120

Singapore, Republic of ■

Rank O'Connor's Singapore (PTE) Ltd.
O'Connor House
98 Pasir Panjang Road
Singapore 0511
Republic of Singapore
Tel: 637944, TLX: (786) RS21023

South Africa ■

Fluke S.A. (Pty) Ltd.
Wynberg Park
777 Andries Street
Wynberg, South Africa
Tel: (11) 786-3170, TLX: (960) 424328

Spain ■

ESSA
Equipos y Sistemas S.A.
C/Apolonio Morales, 13-B
Madrid 16, Spain
Tel: (1) 458-0150, TLX: (831) 42856

Sri Lanka ■

Computerlink Data Systems, Ltd.
294 Union Place
Colombo, 2, Sri Lanka
Tel: (1) 28641/2, TLX: (954) 21321

Sweden ■

Telesinstrument AB
Malthesholmsvagen 138
P.O. Box 4490
162 04 Vallingby 4
Sweden
Tel: (8) 380370, TLX: (854) 15770

Switzerland ■

Traco Electronic AG
Jenatschstrasse 1
8002 Zurich
Switzerland
Tel: (1) 201-0711, TLX: (845) 815570

Syria ■

Mabek (Electronic Division)
P.O. Box 4238
Damascus, Syria

Taiwan ■

Schmidt Electronics Corp.
6th Floor Cathay Min-Sheng
Commercial Building,
344 Min-Sheng East Road
Taipei 104, Taiwan
Tel: (2) 501-3468, TLX: (785) 10548

Thailand ■

Measuretronix Ltd.
2102/63 Ramkamhaeng Road
Bangkok 10240
Thailand
Tel: (2) 378-2516, TLX: (788) 81143

Tunisia ■

Selep S.A.R.L.
6, Rue de Sparte
Tunis - 1000 RP
Tunisia
Tel: (1) 248093, TLX: (934) 13030

Turkey ■

Erkman Elektronik Aletler
Ticaret Anonim Sirketi
Necatiby Cad 92/3
Karakoy, Istanbul, Turkey
Tel: (11) 4415461, TLX: (821) 24399

United Arab Emirates ■

Al-Sanani Cen. Trad. Est.
P.O. Box 7187
Abu-Dhabi, U.A.E.
Tel: (2) 821370 or 821371
TLX: (958) 23966

Haris Al-Afaq, Ltd.

P.O. Box 545
Sharjah, U.A.E.
Tel: (6) 359120, TLX: (958) 68540

Uruguay ■

Coasin Uruguaya S.A.
Libertad 2529
Casilla de Correo 1400
Montevideo, Uruguay
Tel: (2) 789015, TLX: (398) 6445

USSR ■

Amtest Associates, Ltd.
Clarence House
31 Clarence Street
Staines, Middlesex TW18 4SY
England
Tel: (784) 63555, TLX: (851) 928855

Venezuela ■

Coasin C.A.
Calle 9 Con Calle 4, Edif Edinurbi
Apartado de Correos NR-70.136
Los Ruices
Caracas 1070-A, Venezuela
Tel: (2) 239-0967; TLX: (395) 21027

Yugoslavia ■

Amtest Associates, Ltd.
Clarence House
31 Clarence Street
Staines, Middlesex TW18 4SY
England
Tel: (784) 63555, TLX: (851) 928855

■ Supplied and Supported by —

Fluke (Holland) B.V.
P.O. Box 5053, 5004 EB Tilburg
Zevenheuvelenweg 53, 5048 AN Tilburg
The Netherlands
Tel: (013) 673973, TLX: 52237

● Supplied and Supported by —

Fluke International Corporation
P.O. Box C9090
Everett, WA 98206 U.S.A.
Tel: (206) 356-5500
TLX: 152662 JOHN FLUKE EVT



TECHNICAL SERVICE CENTERS

U.S.A.

CA, Burbank

John Fluke Mfg. Co., Inc.
(213) 849-4641

CA, Santa Clara

John Fluke Mfg. Co., Inc.
(408) 727-8121

CO, Denver

John Fluke Mfg. Co., Inc.
(303) 750-1228

FL, Orlando

John Fluke Mfg. Co., Inc.
(305) 896-2296

IL, Rolling Meadows

John Fluke Mfg. Co., Inc.
(312) 398-5800

MA, Burlington

John Fluke Mfg. Co., Inc.
(617) 273-4678

MD, Rockville

John Fluke Mfg. Co., Inc.
(301) 770-1576

NJ, Paramus

John Fluke Mfg. Co., Inc.
(201) 262-9550

TX, Dallas

John Fluke Mfg. Co., Inc.
(214) 233-9945

WA, Everett

John Fluke Mfg. Co., Inc.
(206) 356-5560

Other Countries

Argentina, Buenos Aires

Coasin S.A.
Tel: 552-5248/3485
TLX: 22284 COASIN AR

Australia, Concord

Elmeasco Instruments Pty Ltd.
Tel: 736-2888
TLX: 25887 ELSCO

Australia, Mount Waverley

Elmeasco Instruments Pty. Ltd.
Tel: 233-4044
TLX: 36206 ELMVIC

Australia, Brisbane

Elmeasco Instruments Pty. Ltd.
Tel: 369-8688
TLX: 44062 ELMQLD

Austria, Vienna

Walter Rekirsch
Elektronische Gerate GmbH & Co.
Tel: 235555
TLX: 134759

Belgium, Brussels

Fluke (Belgium) SA/NA
Tel: 2164090
TLX: 26312

Brazil, Sao Paulo

Fluke Brasil-Industria E Comercio Ltda.
Tel: 421-5477
TLX: 1135589 FLKE BR

Canada, Calgary, AB

Allan Crawford Associates Ltd.
Tel: (403) 230-1341

Canada, Burnaby, BC

Allan Crawford Associates Ltd.
Tel: (604) 294-1326

Canada, Mississauga, ON

Allan Crawford Associates Ltd.
Tel: (416) 678-1500

Canada, St. Laurent, PQ

Allan Crawford Associates Ltd.
Tel: (514) 731-8564

Chile, Santiago

Intronica Chile Ltda.
Tel: 44940
TLX: 240301

China, Beijing

Beijing Radio Research Institute
Tel: 445612

Colombia, Bogota

Sistemas E Instrumentacion, Ltda.
Tel: 232-4532
TLX: 45787 COASN CO

Denmark, Ballerup

Tage Olson A/S
Tel: 658111
TLX: 35293 TOAS DK

Ecuador, Quito

Proteco Coasin Cia., Ltda.
Tel: 529684, 526759
TLX: 2865 PROTEC ED

Egypt, Cairo

Electronic Engineering Liaison Office
Tel: 695705
TLX: 23082

England, Watford, Herts

Fluke (Great Britain) LTD
Tel: 40511
TLX: 934583

Finland, Espoo

Instrumentarium Electronics
Tel: 5281
TLX: 124426 HAVUL SF

France, Paris

M.B. Electronique S.A.
Tel: 9568131
TLX: 695414

Greece, Athens

Hellenic Scientific Representations
Tel: 7211140
TLX: 219330

Hong Kong, Wanchai

Schmidt & Co (H.K.) Ltd.
Tel: 8330-222
TLX: 74766 SCHMC HX

India, Bombay

Hinditron Services Pvt. Ltd.
Tel: 8121316
TLX: 112326 HSPL IN

India, Bangalore

Hinditron Services Pvt. Ltd.
Tel: 33139
TLX: 0845741 HSPL IN

India, New Delhi

Hinditron Services Pvt. Ltd.
Tel: 619118
TLX: 0314890 SRMP IN

Indonesia, Jakarta Selatan

P.T. Dwi Tunggal Jaya Sakti
Tel: 716374
TLX: 47308 DIJS IA

Israel, Ramat Hasharon

R.D.T. Electronics Engineering Ltd.
Tel: 483216
TLX: 32143 RDT IL

Italy, Milan

Sistrel S.p.A.
Tel: 6181893
TLX: 334643

Italy, Rome

Sistrel S.p.A.
Tel: 5915551
TLX: 680356

Japan, Tokyo

John Fluke Mfg. Co., Inc.
Japan Branch
Tel: 434-0185
TLX: 2424331 (FLUKJPJ)

Korea, Seoul

Electro-Science Korea Co.
Tel: 583-7703
TLX: 25381 ESKOREA

Malaysia, Petaling Jaya

Mecomb Malaysia SDN BHD
Tel: 743422
TLX: MA37764 MECOMB

Mexico, Mexico D.F.

Electronica y Tecnologia
Avanzada S.A. de C.V. (ETA)
Tel: 393 09 02 or 393 57 62
TLX: 172697 BIOSME

Netherlands, Tilburg

Fluke (Nederland) B.V.
Tel: 352455
TLX: 52683

New Zealand, Auckland

McLean Information Technology, Ltd.
Tel: 501-801, 501-219
TLX: NZ21570 THERMAL

Norway, Oslo

Morgenstjerne & Co. A/S
Tel: 356110
TLX: 71719

Pakistan, Karachi

International Operations (PAK), L*
Tel: 221127, 239052
TLX: 24494 PIO PK

Peru, Lima

Importaciones Y Representaciones
Electronicas S.A.
Tel: 288650
TLX: 25663 PE IREING

Philippines, Metro Manila

Spark Radio & Electronics Corp.
Tel: 775192, 704096
TLX: 27901 RLA PH

Portugal, Lisbon

Decada Espectral Equipamentos
de Electronica, Lda.
Tel: 2103420
TLX: 15515

Republic of Singapore, Singapore

Rank O'Connor's (PTE) Limited
Tel: 637944, 239052
TLX: RS21023 OCONSIN

Republic of South Africa, Wynberg

Fluke S.A. (Pty) Ltd.
Tel: 786-3170
TLX: 424328

Spain, Madrid

Equipos y Sistemas S.A.
Tel: 458-0150
TLX: 42856 EYS E

Sweden, Vallingby

Teleinstrument AB
Tel: 380370
TLX: 15770

Switzerland, Zurich

Traco Electronic AG
Tel: 2010711
TLX: 815570 TRCO CH

Taiwan, Taipei

Schmidt Electronics Corp.
Tel: 5013468
TLX: 11111 SCHMIDT
10548 EVERGOF T

Thailand, Bangkok

Measuretronix Ltd.
Tel: 378-2516
TLX: 81143 DEJOBKK TH

Turkey, Istanbul

Erkman Elektronik Aletler
Tel: 4415461
TLX: 24399

Uruguay, Montevideo

Coasin Uruguay S.A.
Tel: 789015
TLX: UY6571 OROCUER SA

Venezuela, Caracas

Coasin C.A.
Tel: 239-0967, 239-5079
TLX: 21027 EMVEN VE

West Germany, Ismaning/Munich

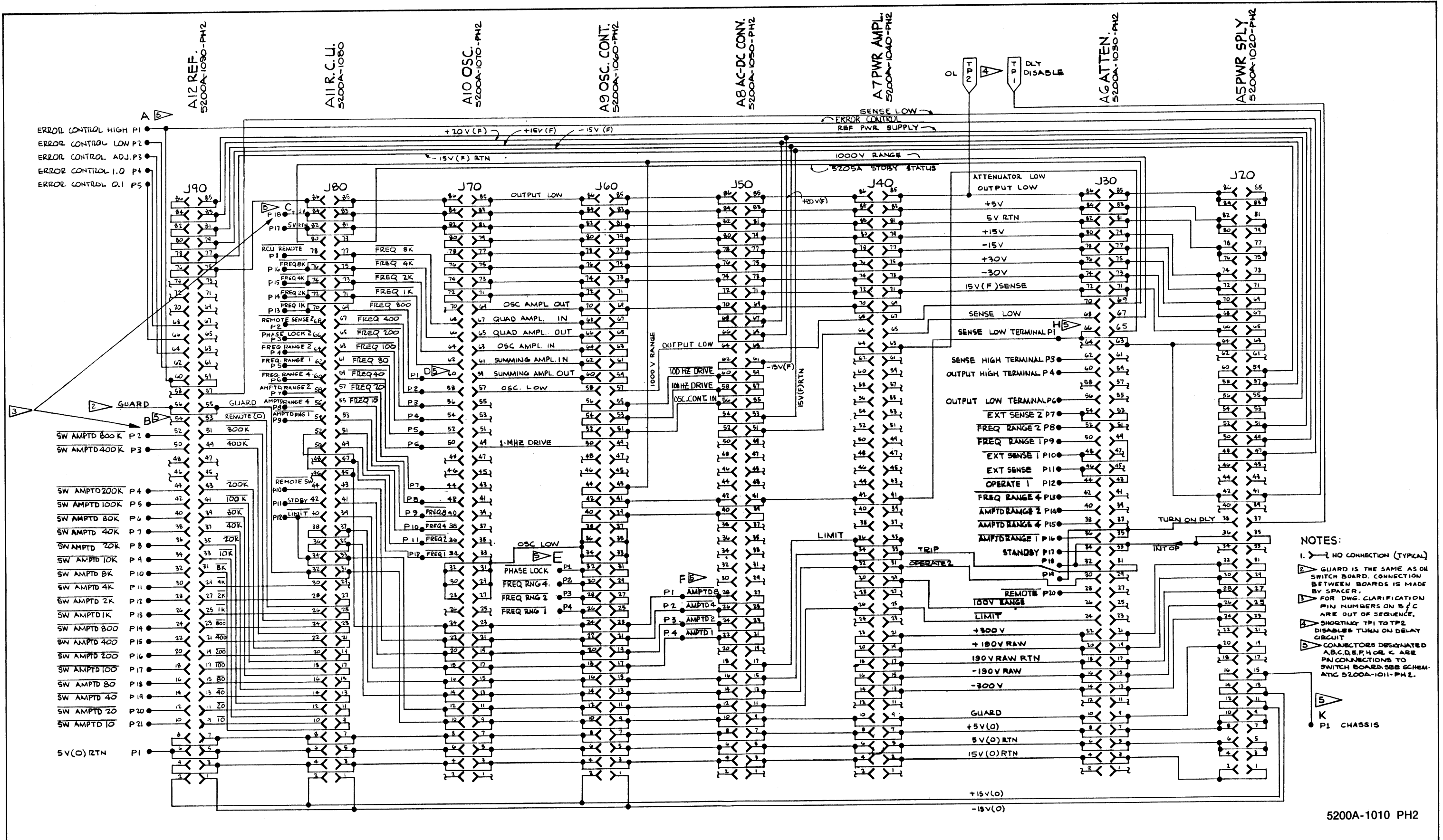
Fluke (Deutschland) GmbH
Tel: 96050
TLX: 0522472



Section 8

Schematic Diagrams

FIGURE NO.	NAME	DRAWING NO.	PAGE
8-1.	A2 Motherboard PCB Assembly	5200A-1010 PH2	8-3
8-2.	A3 Switch PCB Assembly	5200A-1011 PH2	8-4
8-3.	A5 Power Supply Assembly	5200A-1020 PH2	8-6
8-4.	A6 Attenuator PCB Assembly	5200A-1030 PH2	8-8
8-5.	A7 Power Amplifier PCB Assembly	5200A-1040 PH2	8-12
8-6.	A8 AC-Converter PCB Assembly	5200A-1050 PH2	8-14
8-7.	A9 Oscillator Control PCB Assembly	5200A-1060 PH2	8-20
8-8.	A10 Oscillator PCB Assembly	5200A-1070 PH2	8-26
8-9.	All Remote Control Unit PCB Assembly	5200A-1080	8-34
8-10.	A12 Reference Supply PCB Assembly	5200A-1090	8-38
8-11.	RCU Input Signal Inverter PCB Assembly	5200A-1081	8-42
8-12.	A14 IEEE Interface (I/F) PCB Assembly	5200A-1086	8-44



- NOTES:**
- 1. — NO CONNECTION (TYPICAL)
 - 2. GUARD IS THE SAME AS ON SWITCH BOARD. CONNECTION BETWEEN BOARDS IS MADE BY SPACER.
 - 3. FOR DWG. CLARIFICATION PIN NUMBERS ON B/C ARE OUT OF SEQUENCE.
 - 4. SHORTING TP1 TO TP2 DISABLES TURN ON DELAY CIRCUIT
 - 5. CONNECTORS DESIGNATED A,B,C,D,E,F,H OR K ARE PIN CONNECTIONS TO SWITCH BOARD. SEE SCHEMATIC 5200A-1011-PH 2.

5200A-1010 PH2

Figure 8-1. A2 Motherboard PCB Assembly

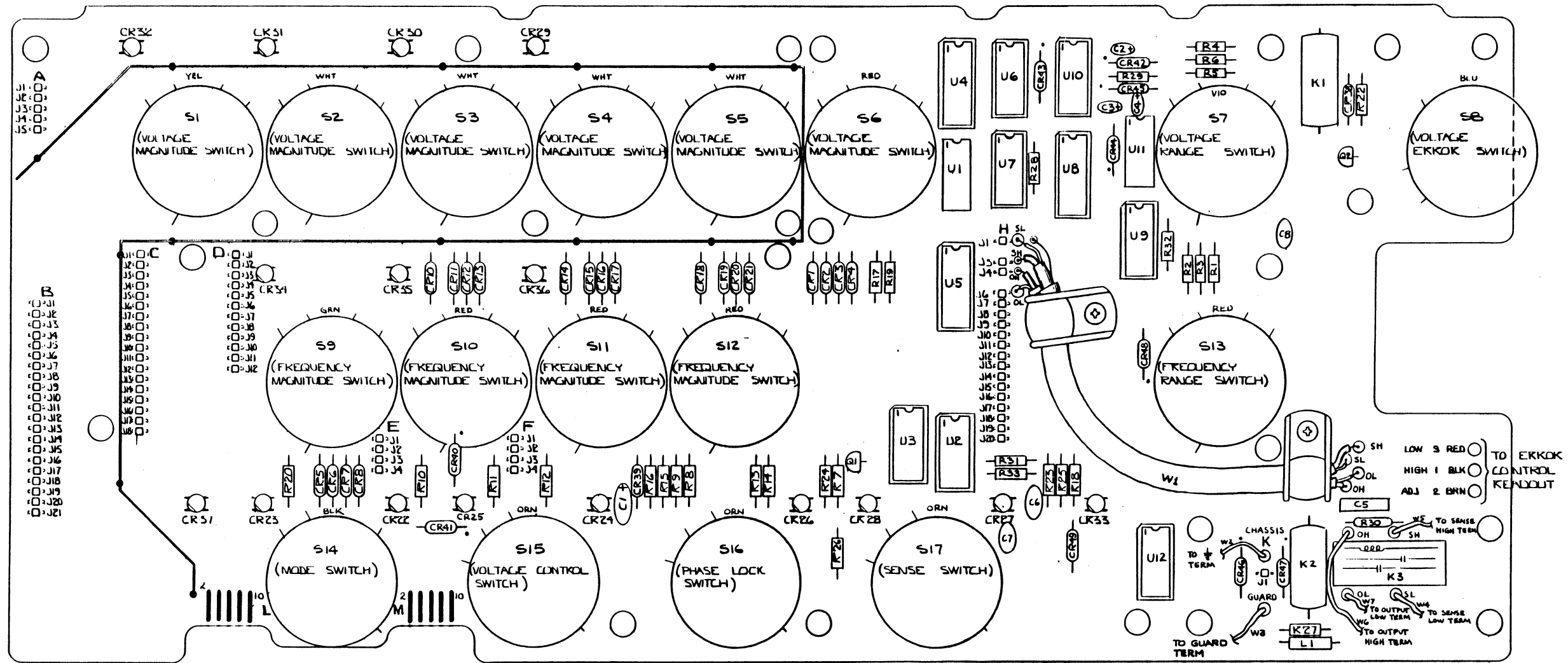
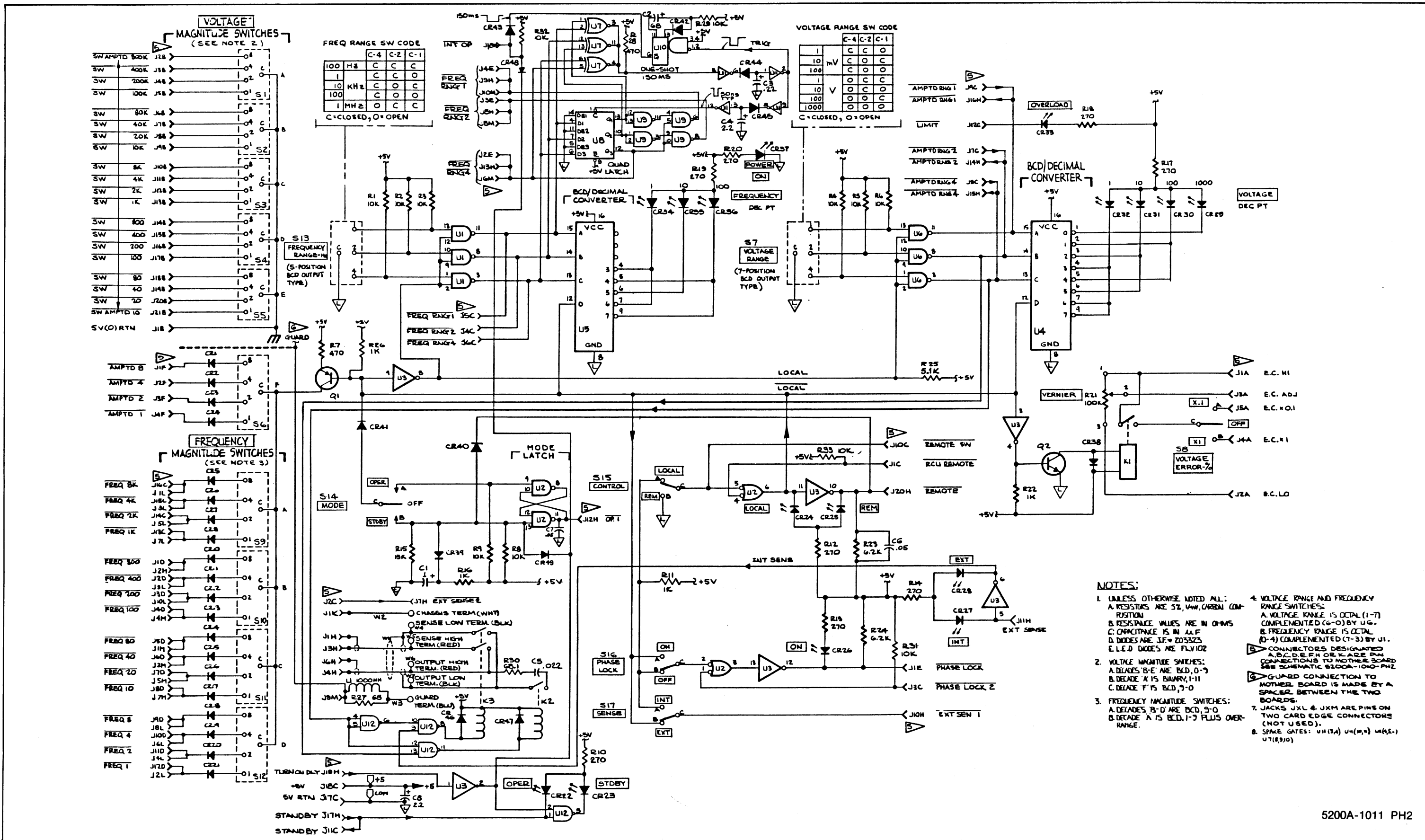
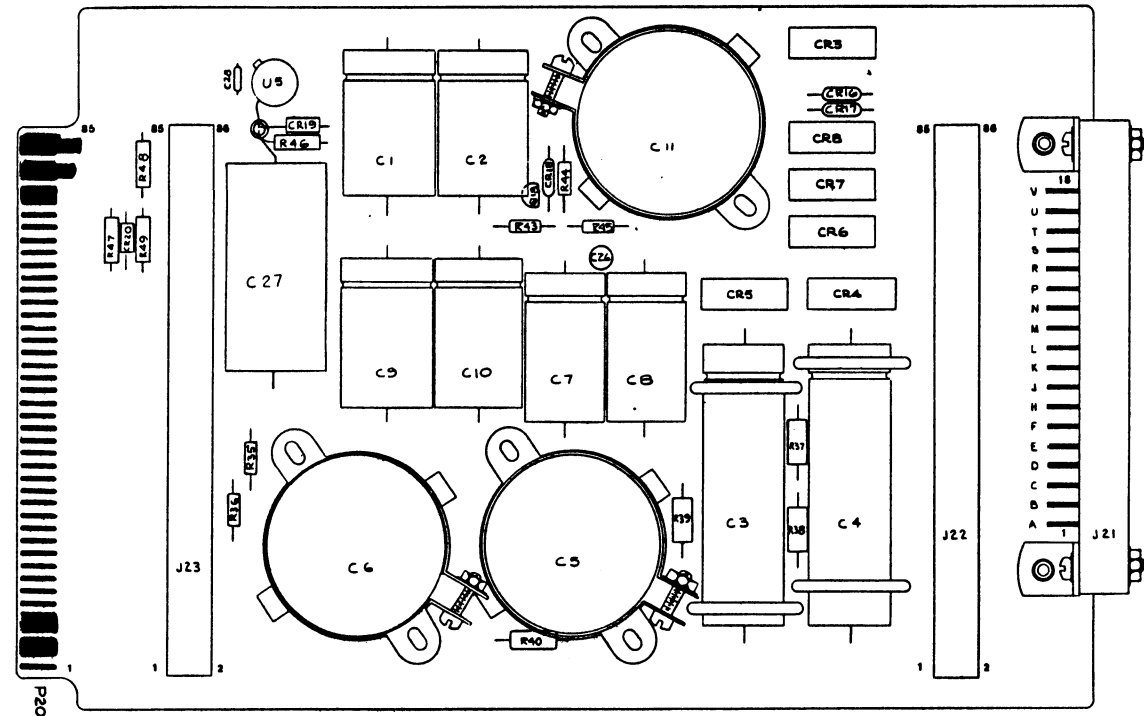


Figure 8-2. A3 Switch PCB Assembly

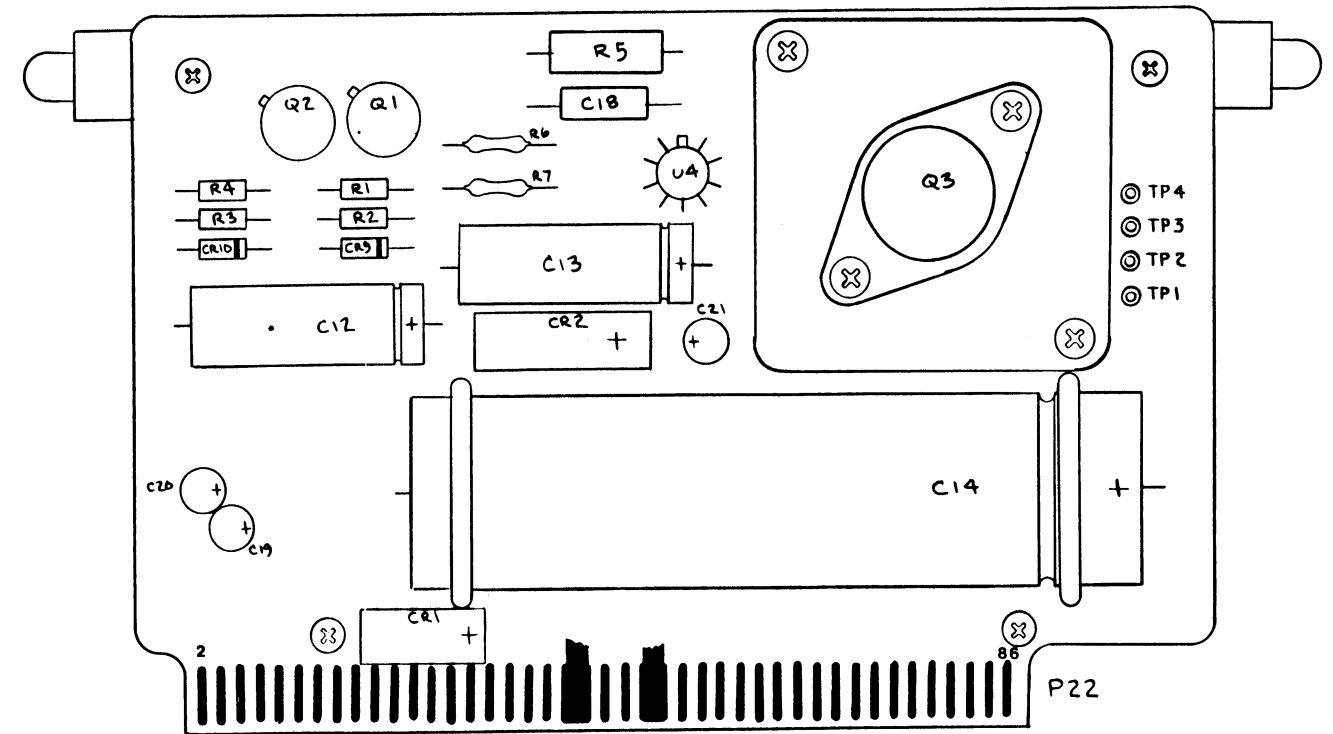


5200A-1011 PH2

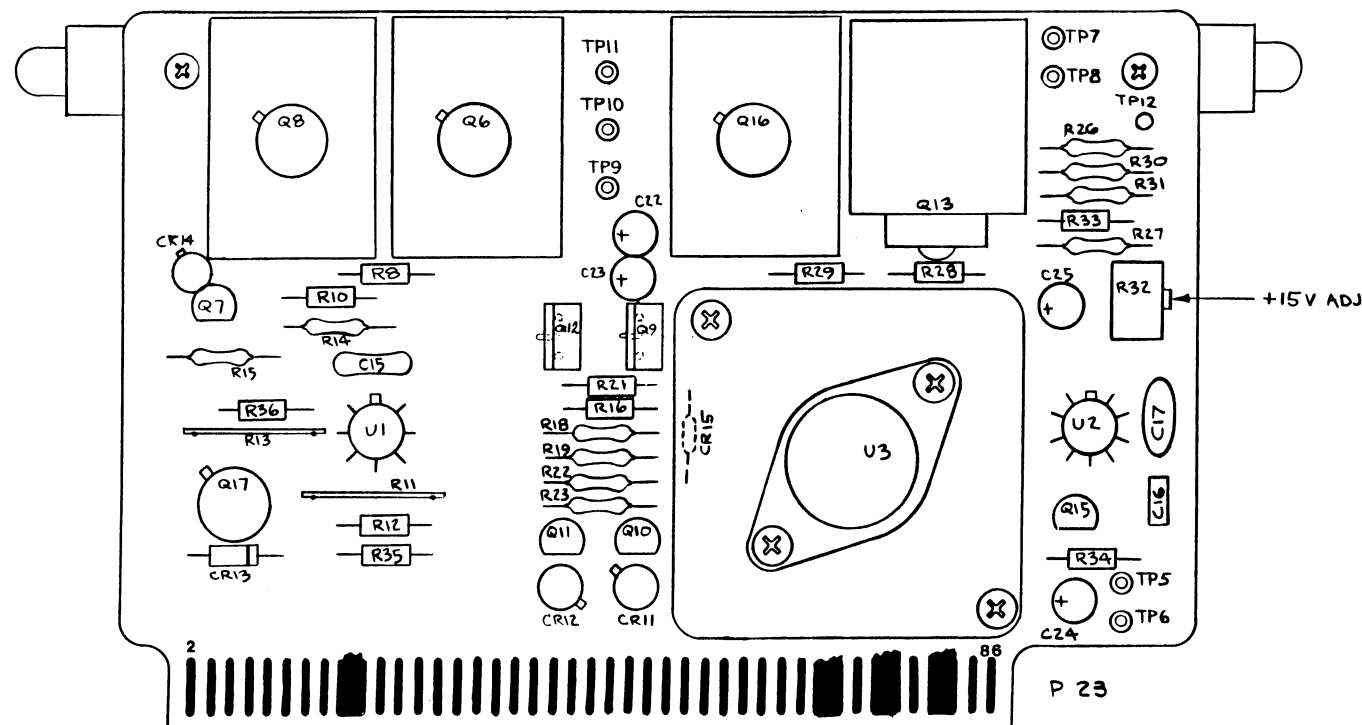
Figure 8-2. A3 Switch PCB Assembly (cont)



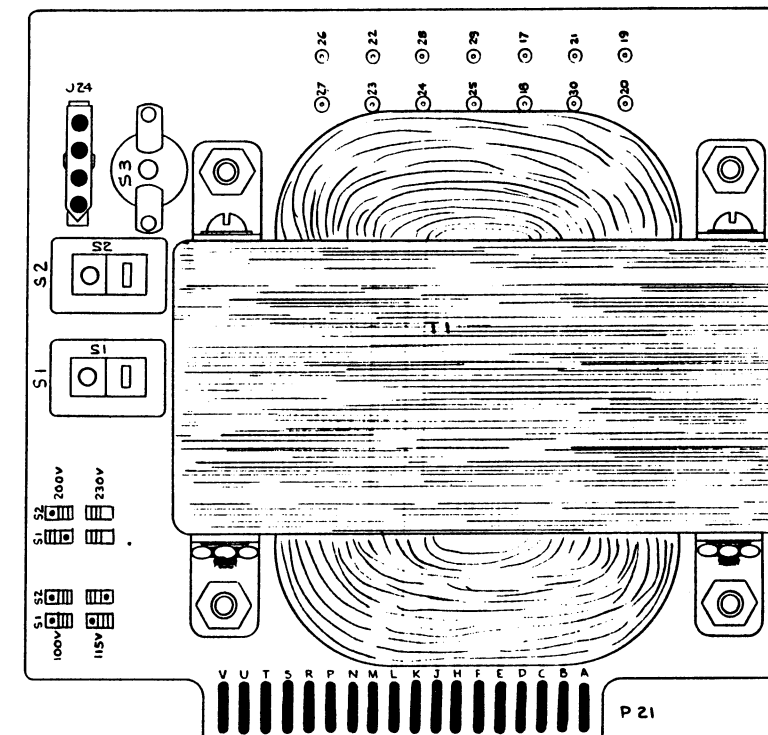
a. Power Supply Mother PCB Assembly



b. Power Supply PCB Subassembly



c. Regulator PCB Subassembly



d. Transformer PCB Subassembly

Figure 8-3. A5 Power Supply Assembly

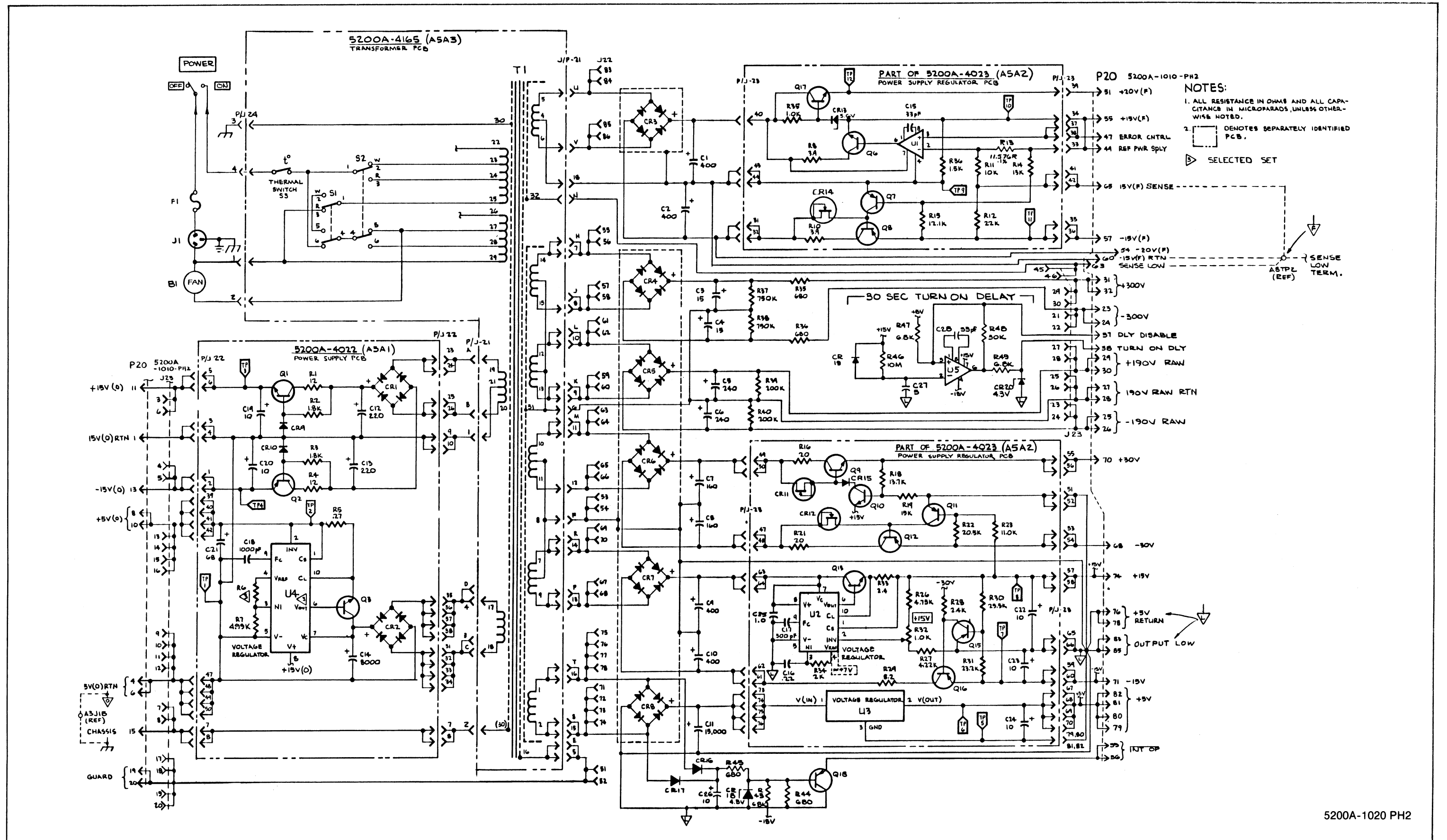


Figure 8-3. A5 Power Supply Assembly (cont)

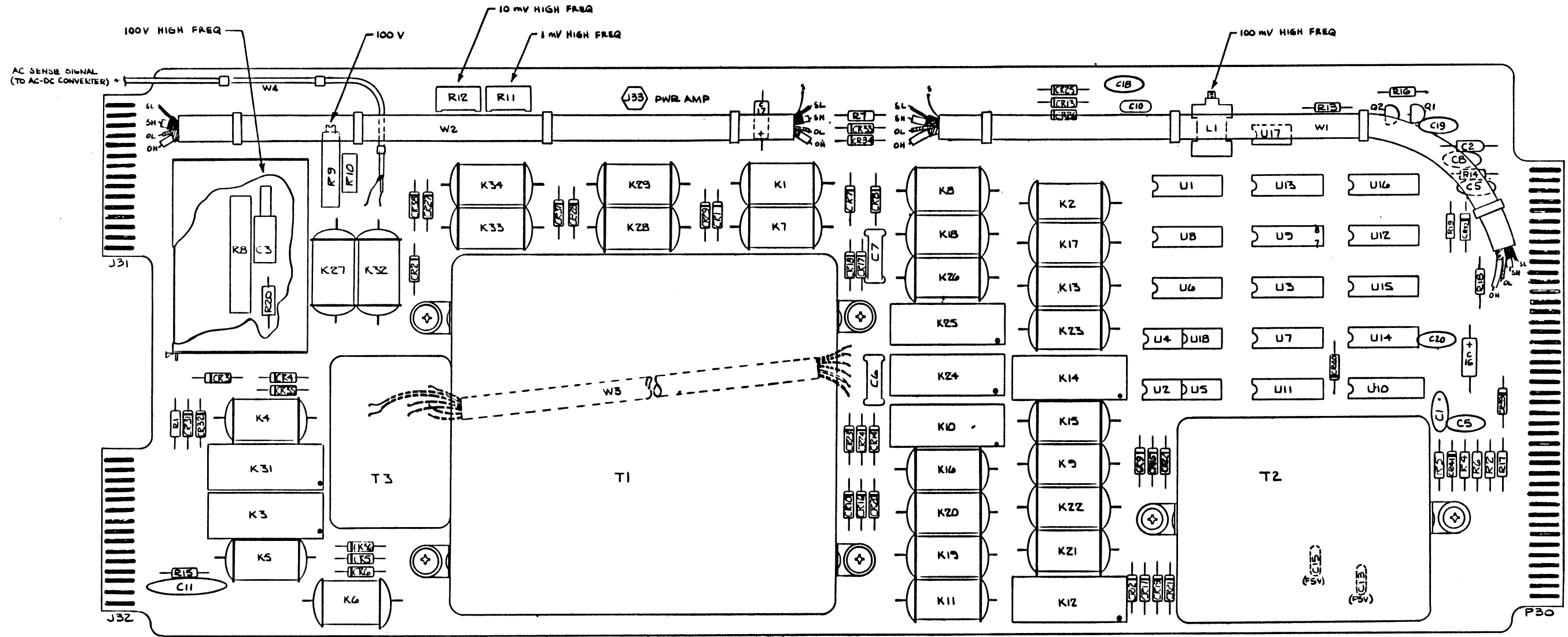


Figure 8-4. A6 Attenuator PCB Assembly

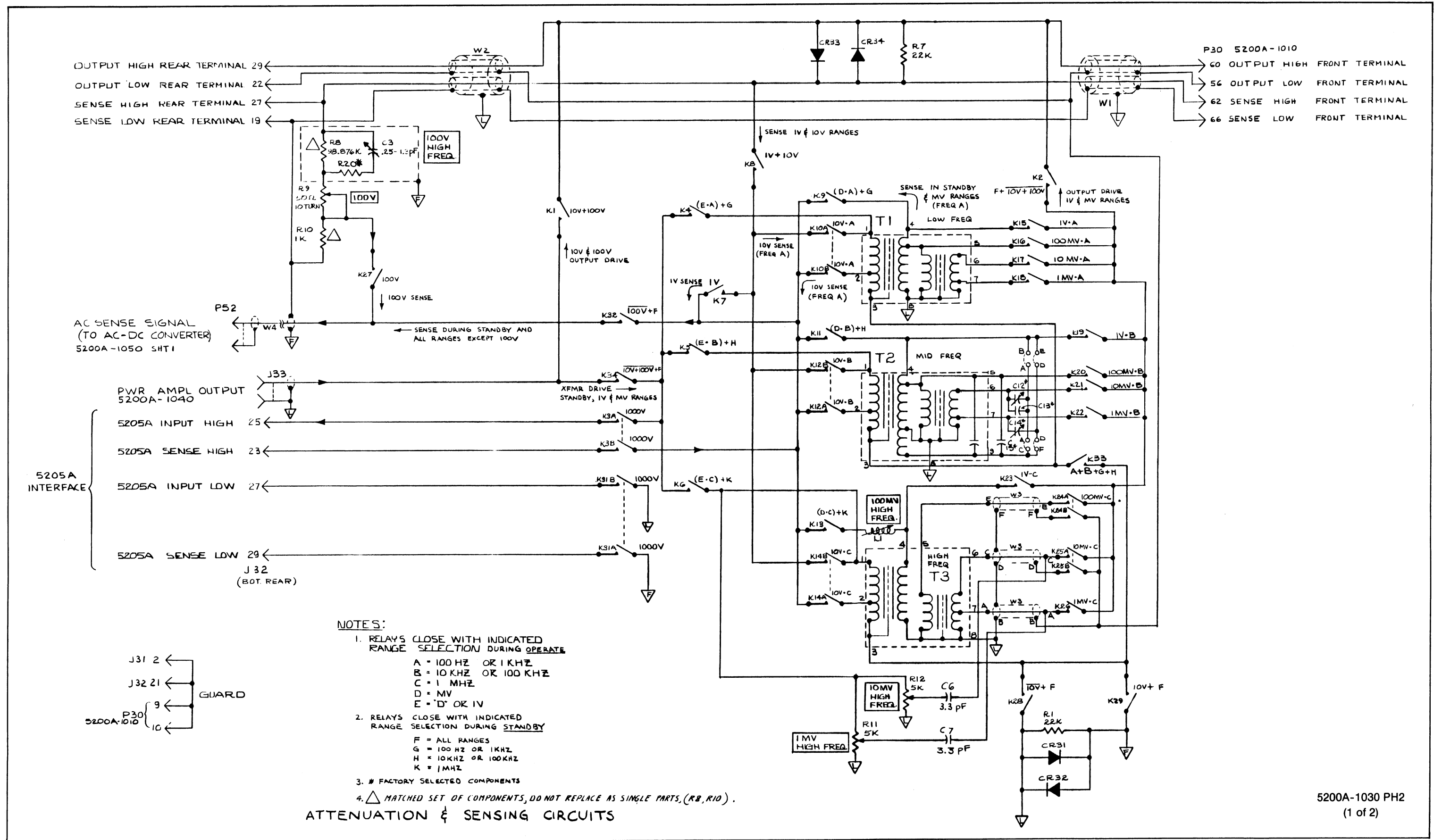
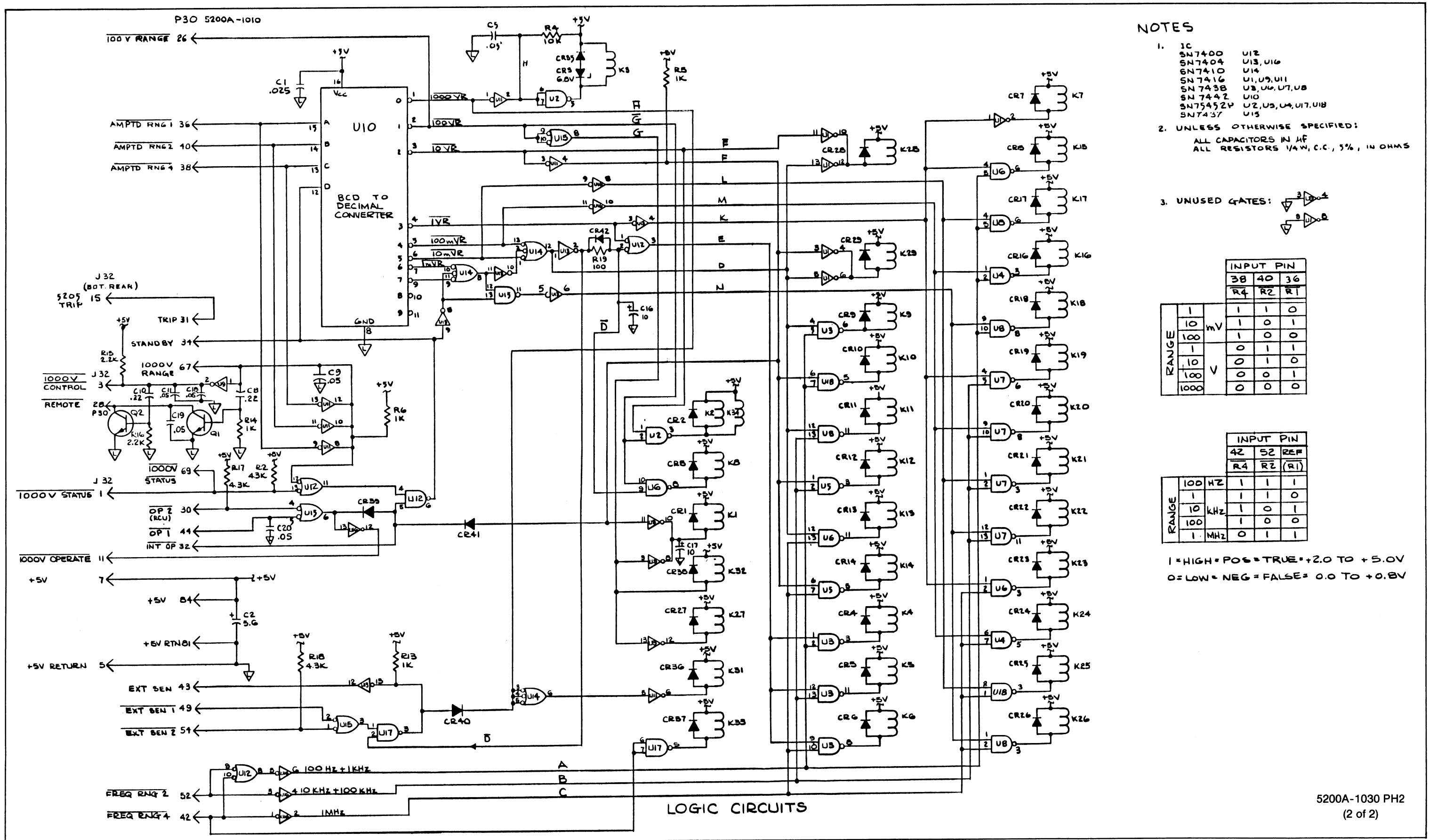


Figure 8-4. A6 Attenuator PCB Assembly (cont)



NOTES

- IC
 SN7400 U12
 SN7404 U13, U16
 SN7410 U14
 SN7416 U1, U9, U11
 SN7438 U3, U6, U7, U8
 SN7442 U10
 SN75452 U2, U5, U4, U17, U18
 SN7437 U15
- UNLESS OTHERWISE SPECIFIED:
 ALL CAPACITORS IN μ F
 ALL RESISTORS 1/4W, C.C., 5%, 10 OHMS



		INPUT PIN		
		38	40	36
		R4	R2	R1
RANGE	1	1	1	0
	10	1	0	1
	100	1	0	0
	1000	0	1	1
	10000	0	0	0

		INPUT PIN		
		42	52	REF
		R4	R2	(R1)
RANGE	100 HZ	1	1	1
	10 KHZ	1	1	0
	100	1	0	0
	1 MHz	0	1	1

1 = HIGH = POS = TRUE = +2.0 TO +5.0V
 0 = LOW = NEG = FALSE = 0.0 TO +0.8V

5200A-1030 PH2
 (2 of 2)

Figure 8-4. A6 Attenuator PCB Assembly (cont)

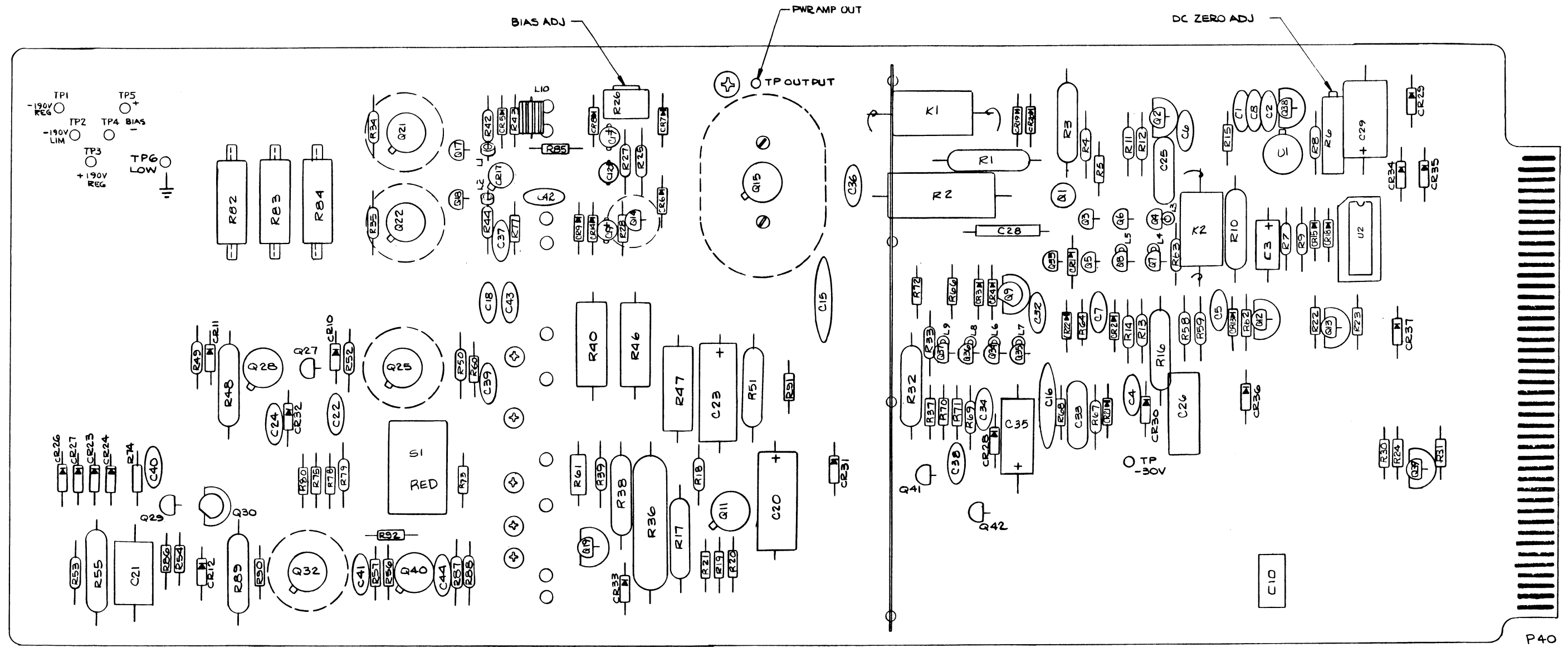
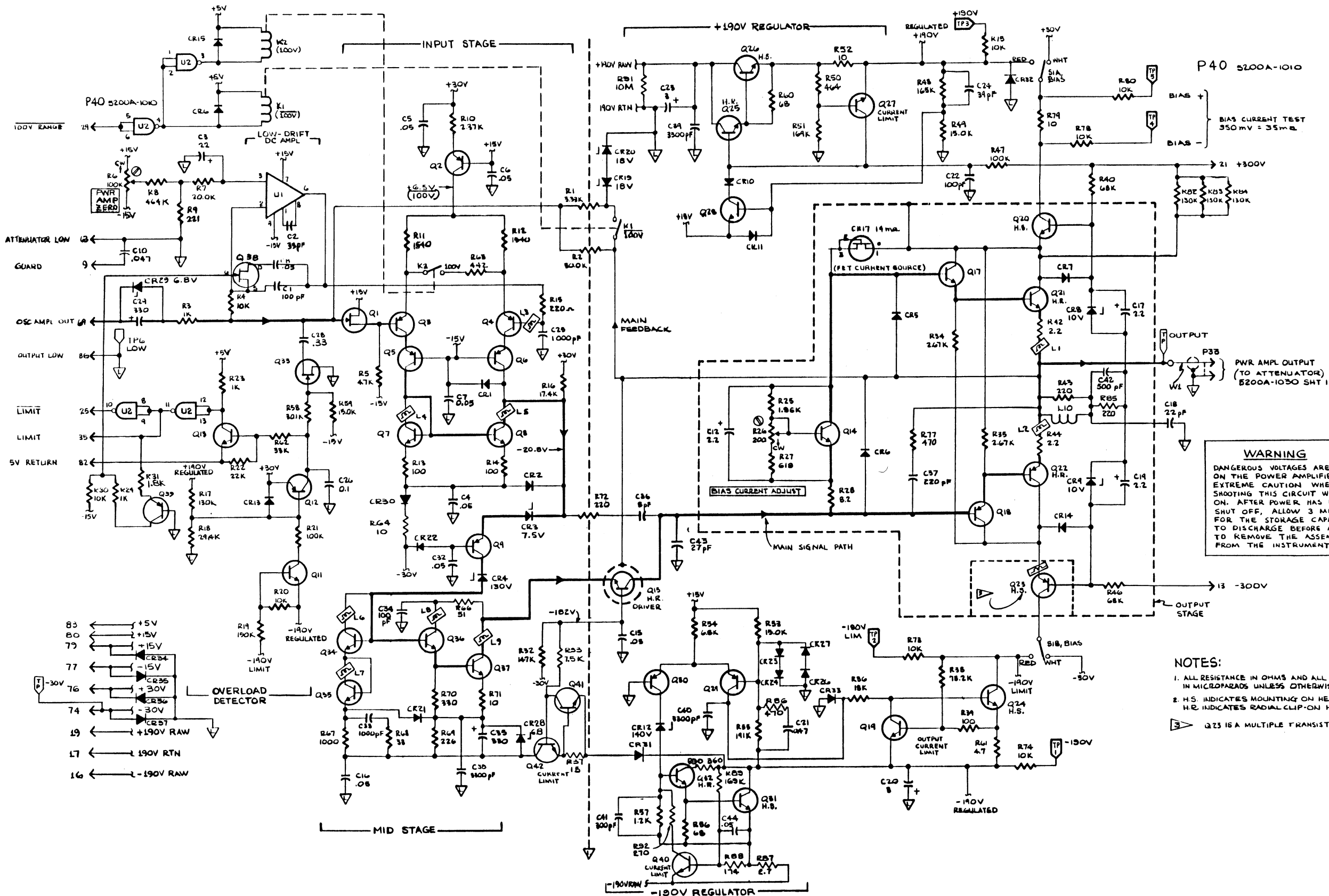


Figure 8-5. A7 Power Amplifier PCB Assembly



5200A-1040 PH2

Figure 8-5. A7 Power Amplifier PCB Assembly (cont)

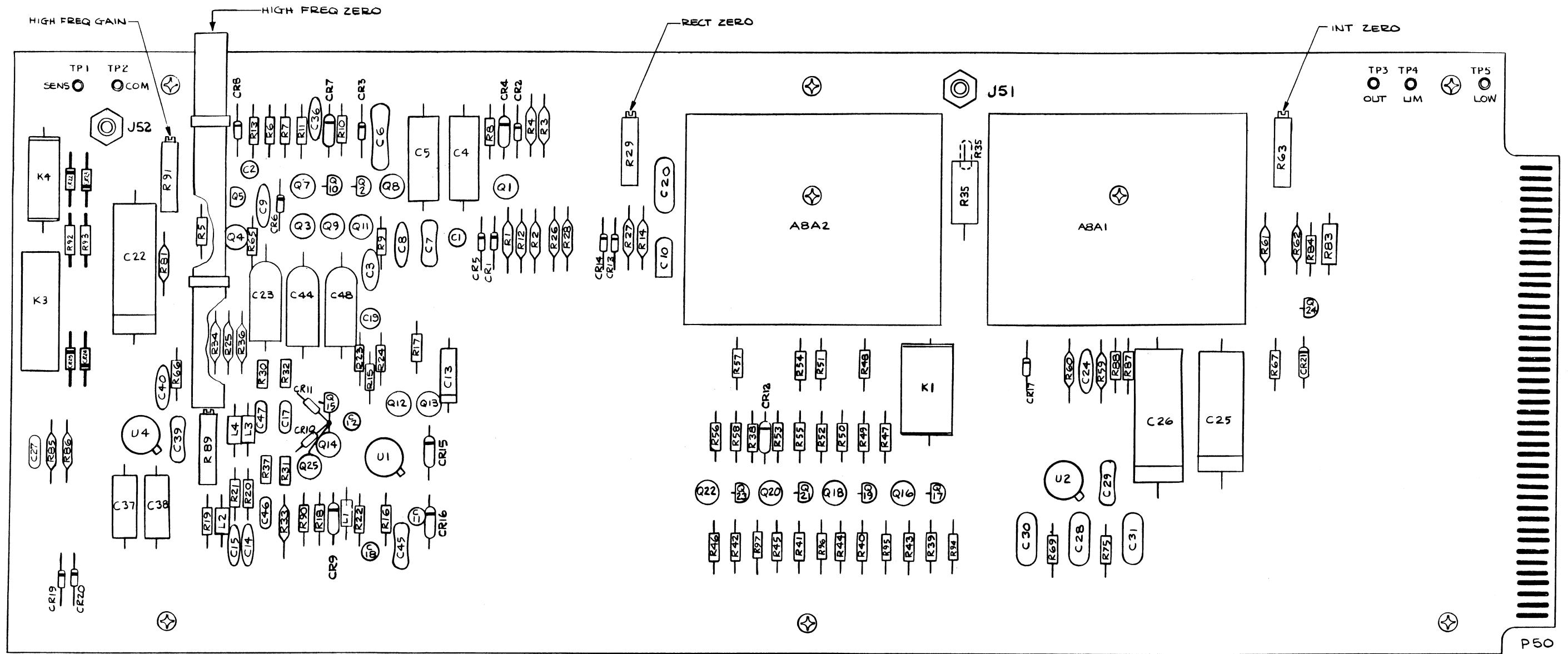
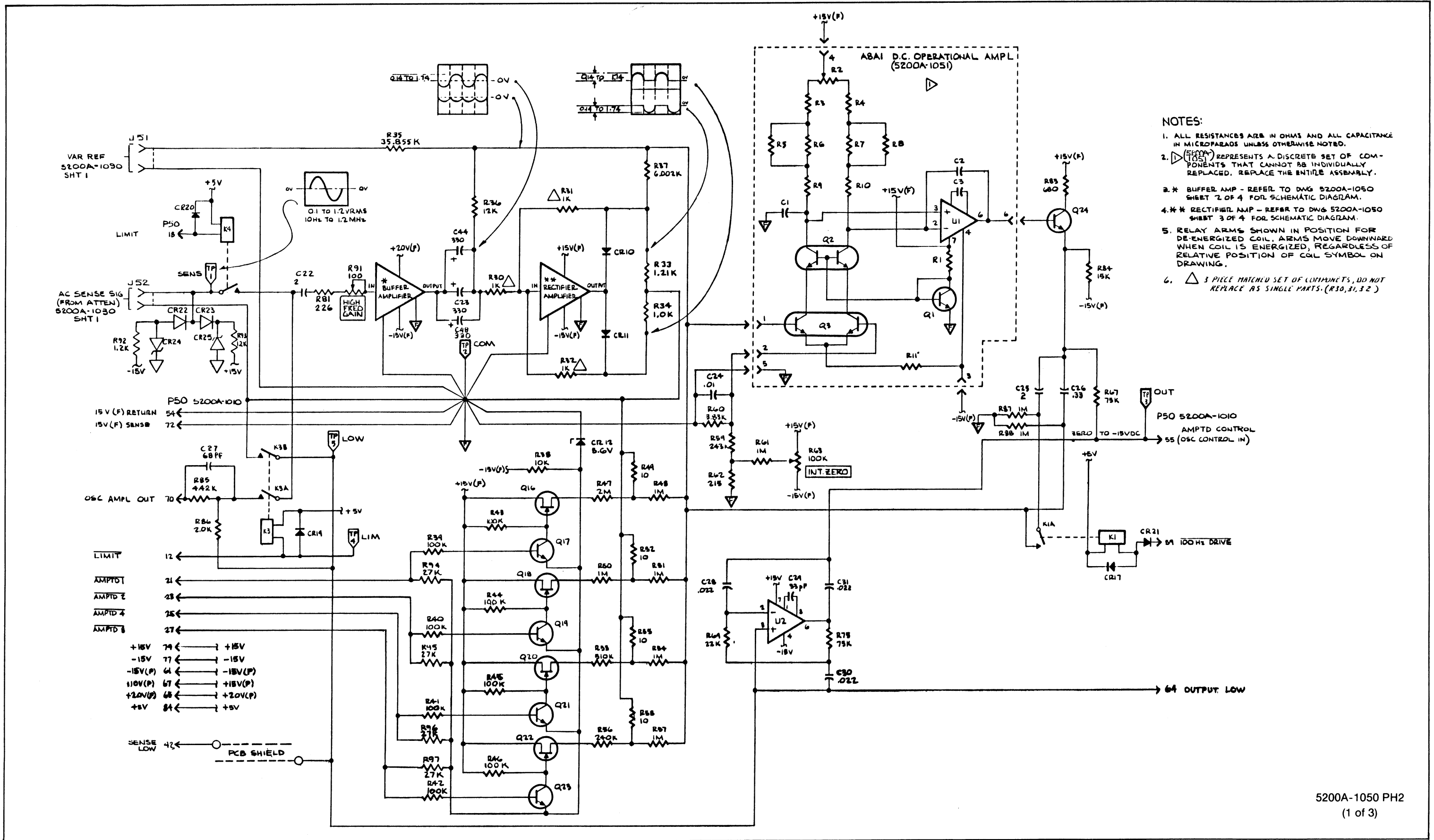


Figure 8-6. A8 AC-DC Converter PCB Assembly



- NOTES:
1. ALL RESISTANCES ARE IN OHMS AND ALL CAPACITANCE IN MICROFARADS UNLESS OTHERWISE NOTED.
 2. \triangle (5200A-1051) REPRESENTS A DISCRETE SET OF COMPONENTS THAT CANNOT BE INDIVIDUALLY REPLACED. REPLACE THE ENTIRE ASSEMBLY.
 3. * BUFFER AMP - REFER TO DWG 5200A-1050 SHEET 2 OF 4 FOR SCHEMATIC DIAGRAM.
 4. ** RECTIFIER AMP - REFER TO DWG 5200A-1050 SHEET 3 OF 4 FOR SCHEMATIC DIAGRAM.
 5. RELAY ARMS SHOWN IN POSITION FOR DE-ENERGIZED COIL. ARMS MOVE DOWNWARD WHEN COIL IS ENERGIZED, REGARDLESS OF RELATIVE POSITION OF COIL SYMBOL ON DRAWING.
 6. \triangle 3 PIECE MATCHED SET OF COMPONENTS, DO NOT REPLACE AS SINGLE PARTS. (R30,31,32)

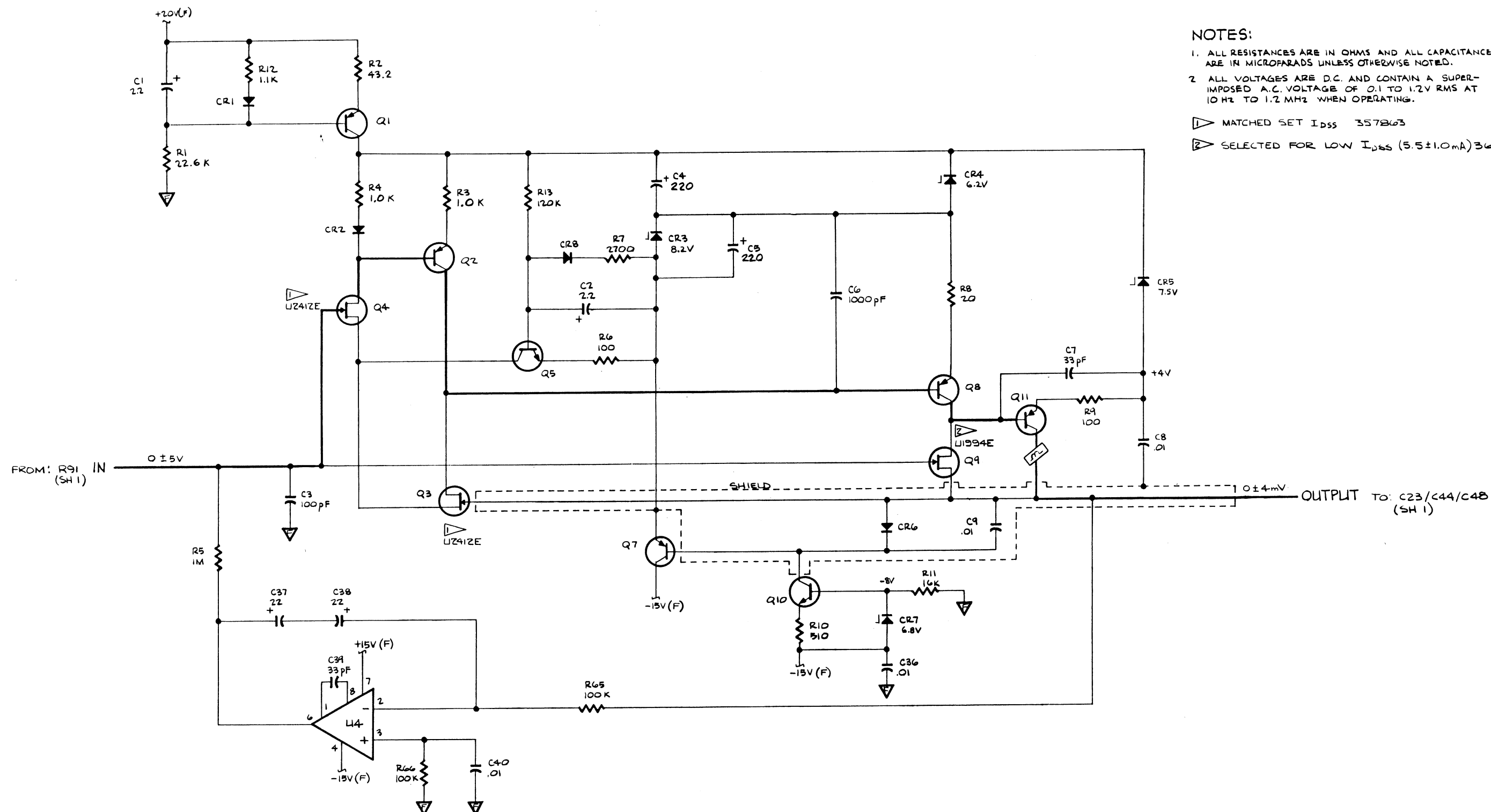
5200A-1050 PH2
(1 of 3)

Figure 8-6. A8 AC-DC Converter PCB Assembly (cont)

NOTES:

1. ALL RESISTANCES ARE IN OHMS AND ALL CAPACITANCES ARE IN MICROFARADS UNLESS OTHERWISE NOTED.
2. ALL VOLTAGES ARE D.C. AND CONTAIN A SUPER-IMPOSED A.C. VOLTAGE OF 0.1 TO 1.2V RMS AT 10 HZ TO 1.2 MHz WHEN OPERATING.

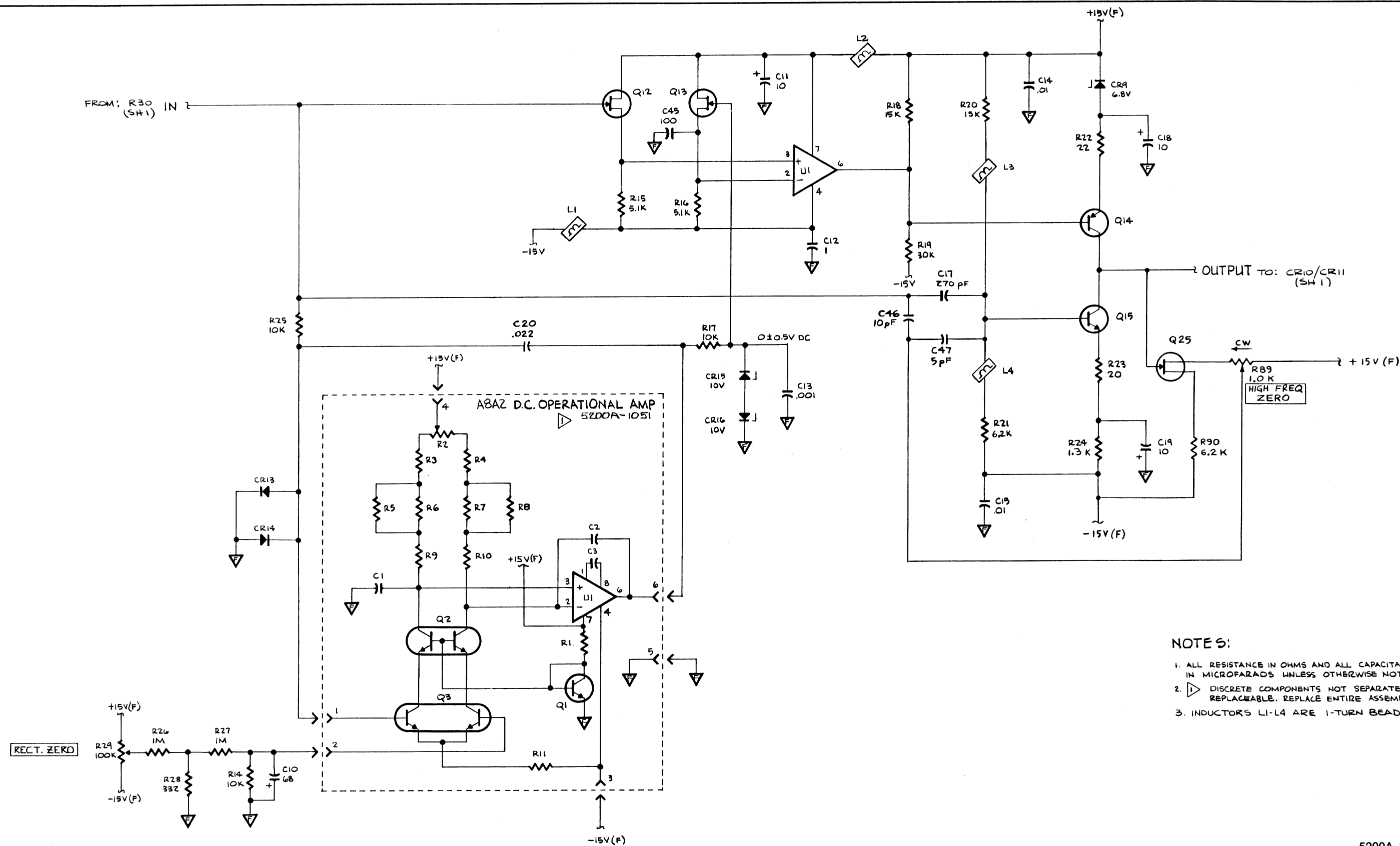
- ▶ MATCHED SET I_{DSS} 357863
- ▶ SELECTED FOR LOW I_{DSS} ($5.5 \pm 1.0mA$) 363846



BUFFER AMPLIFIER

5200A-1050 PH2
(2 of 3)

Figure 8-6. A8 AC-DC Converter PCB Assembly (cont)



HIGH-SPEED RECTIFIER AMPLIFIER

NOTES:

1. ALL RESISTANCE IN OHMS AND ALL CAPACITANCE IN MICROFARADS UNLESS OTHERWISE NOTED.
2. DISCRETE COMPONENTS NOT SEPARATELY REPLACEABLE. REPLACE ENTIRE ASSEMBLY.
3. INDUCTORS L1-L4 ARE 1-TURN BEADS.

5200A-1050 PH2
(3 of 3)

Figure 8-6. A8 AC-DC Converter PCB Assembly (cont)

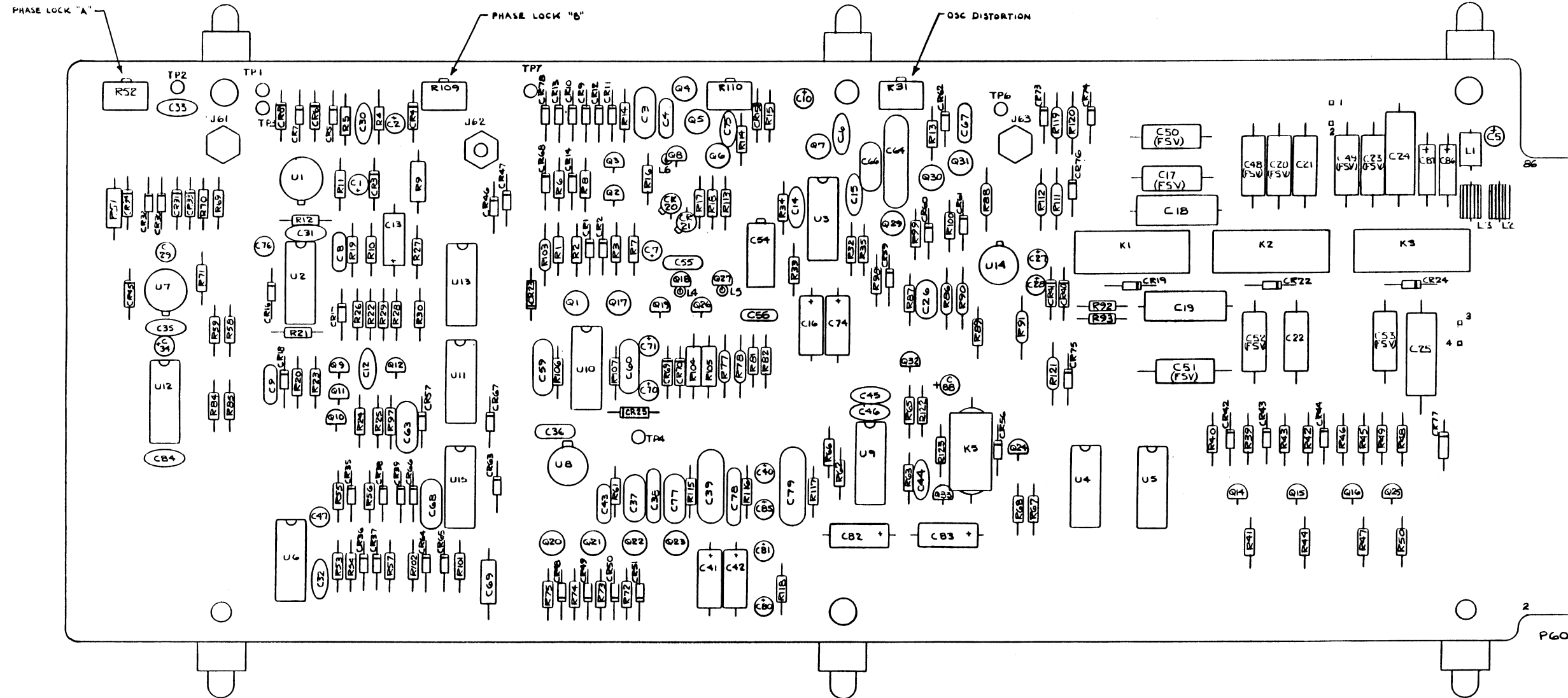
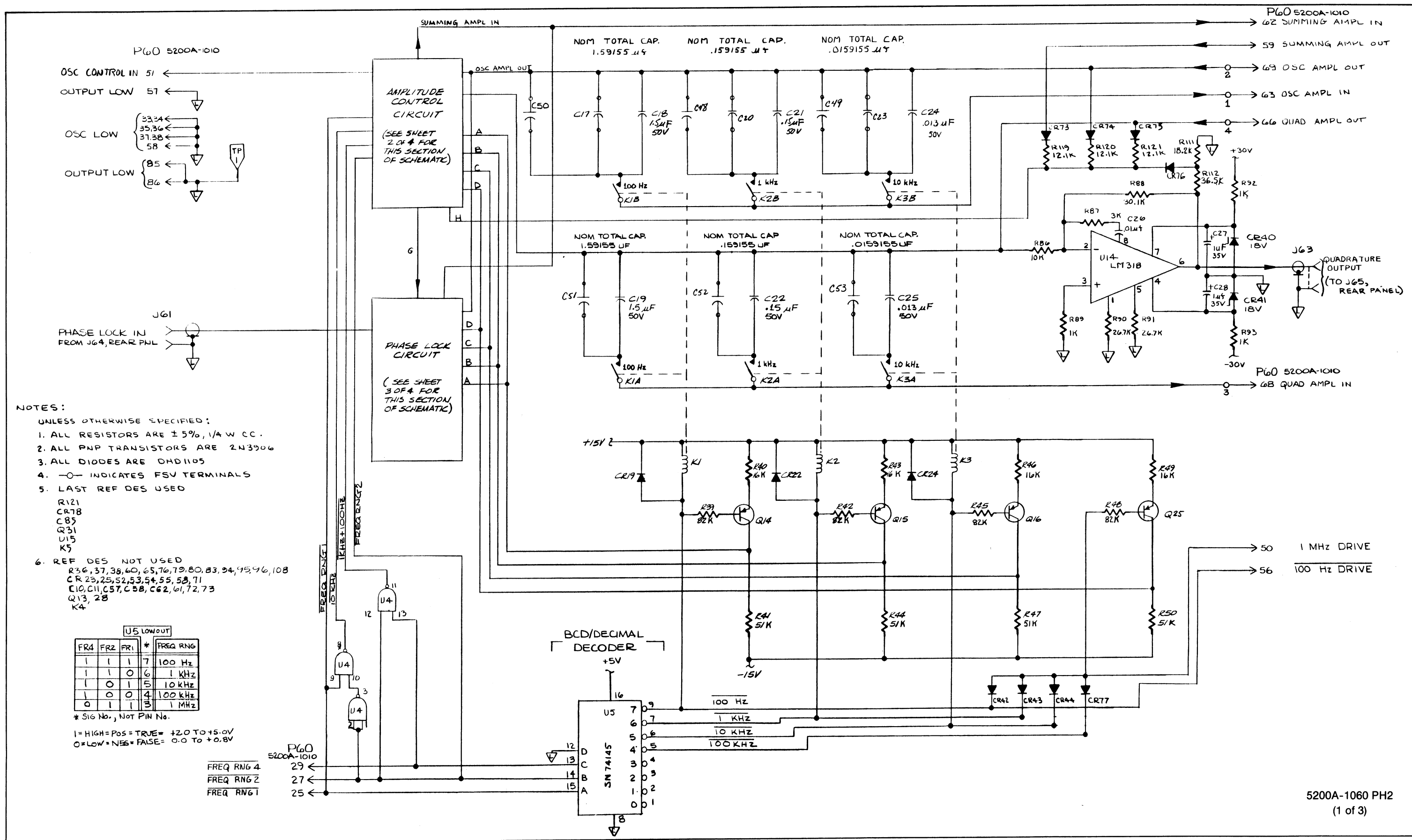


Figure 8-7. A9 Oscillator Control PCB Assembly



- NOTES:
- UNLESS OTHERWISE SPECIFIED:
 1. ALL RESISTORS ARE $\pm 5\%$, 1/4 W CC.
 2. ALL PNP TRANSISTORS ARE 2N3906
 3. ALL DIODES ARE 0HD1105
 4. —O— INDICATES FSV TERMINALS
 5. LAST REF DES USED
- R121
CR78
C85
Q31
U15
K5
6. REF DES NOT USED
- R36, 37, 38, 40, 65, 76, 79, 80, 83, 94, 95, 96, 108
CR23, 25, 52, 53, 54, 55, 58, 71
C10, C11, C57, C58, C62, 61, 72, 73
Q13, 28
K4

U5 LOWOUT

FR4	FR2	FR1	* FREQ RING
1	1	1	7 100 Hz
1	1	0	6 1 KHz
1	0	1	5 10 KHz
1	0	0	4 100 KHz
0	1	1	3 1 MHz

* Sig No., NOT PIN No.
1 = HIGH = POS = TRUE = +2.0 TO +5.0V
0 = LOW = NEG = FALSE = 0.0 TO +0.8V

P60 5200A-1010
FREQ RING 4 29 ←
FREQ RING 2 27 ←
FREQ RING 1 25 ←

Figure 8-7. A9 Oscillator Control PCB Assembly (cont)

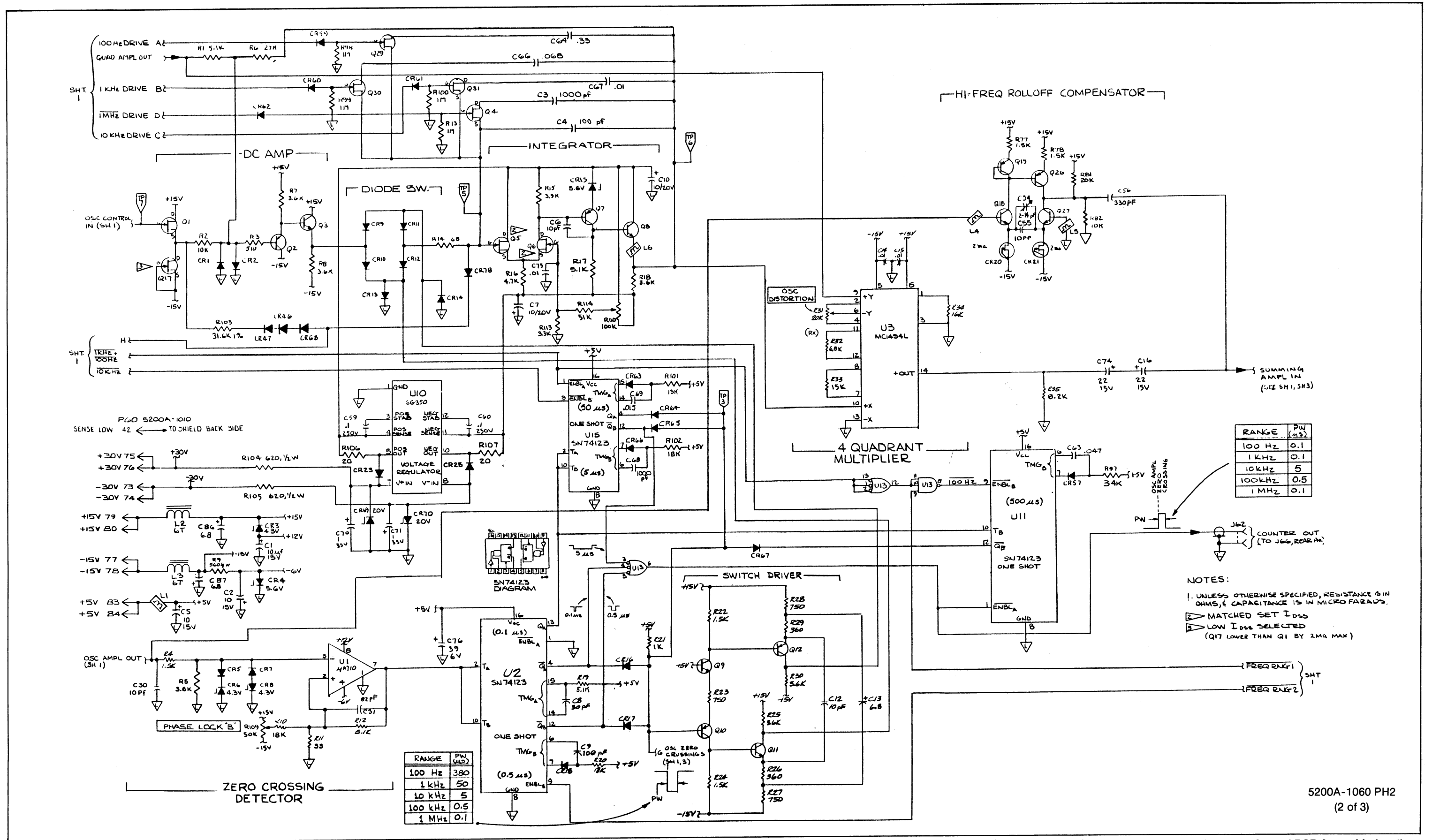


Figure 8-7. A9 Oscillator Control PCB Assembly (cont)

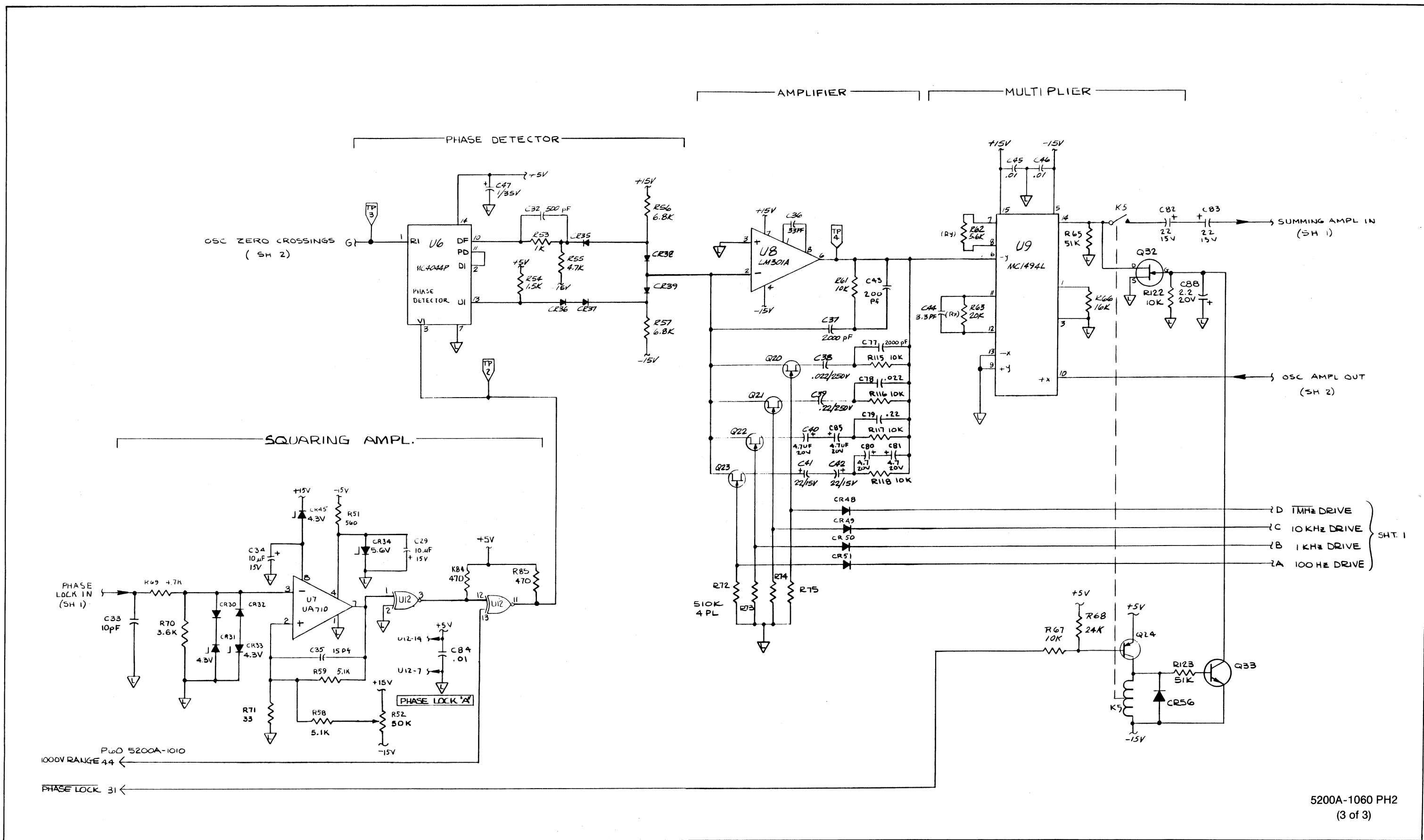


Figure 8-7. A9 Oscillator Control PCB Assembly (cont)

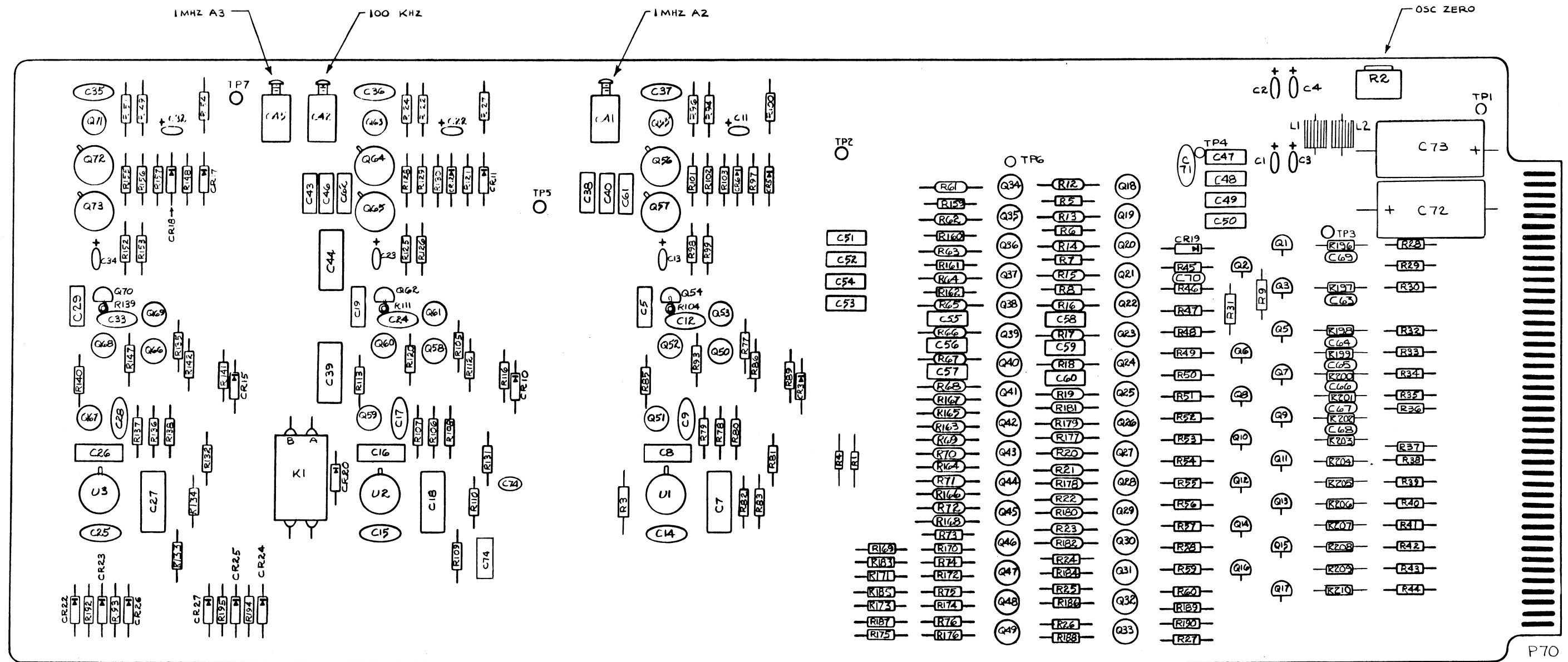
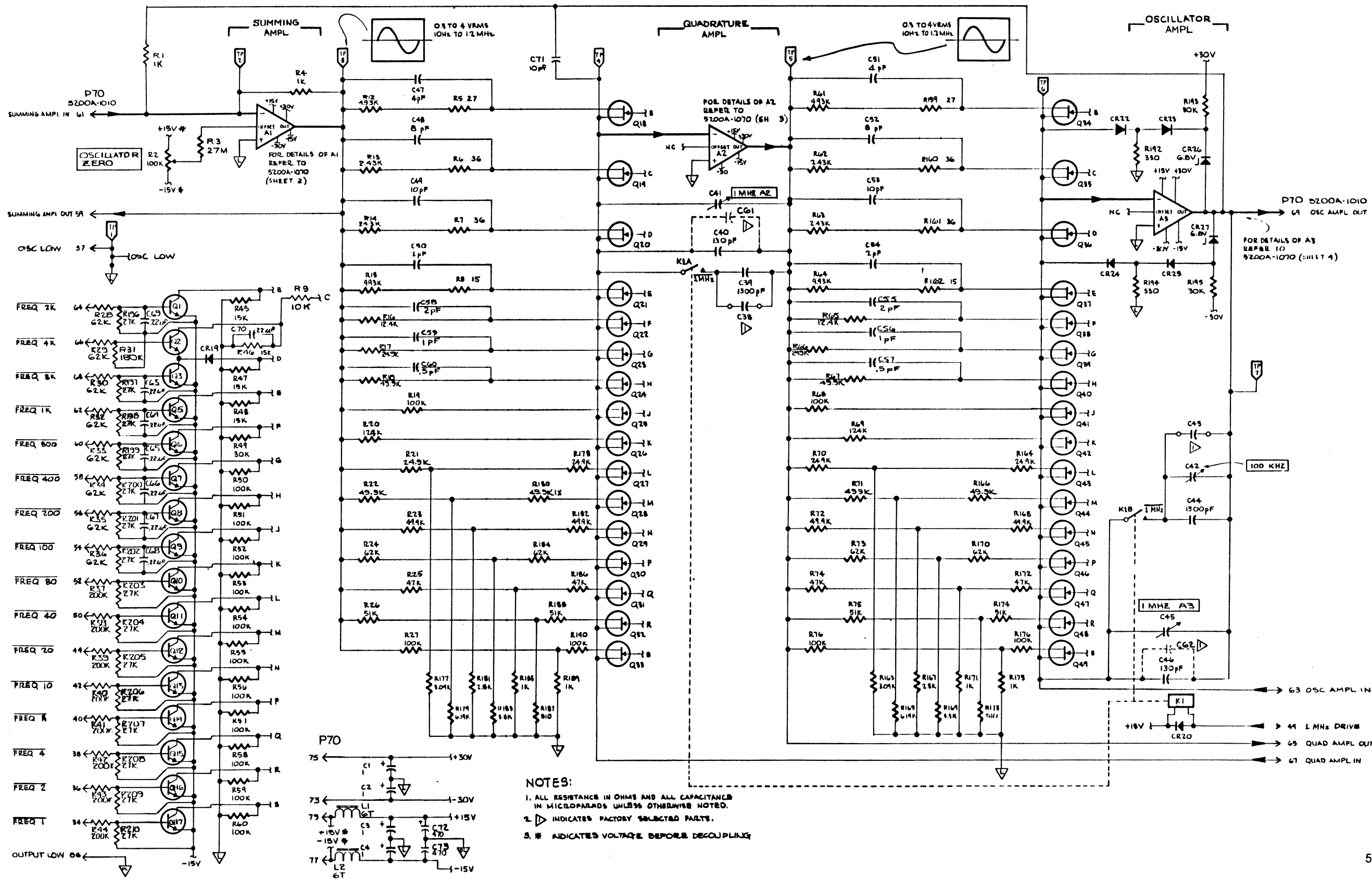
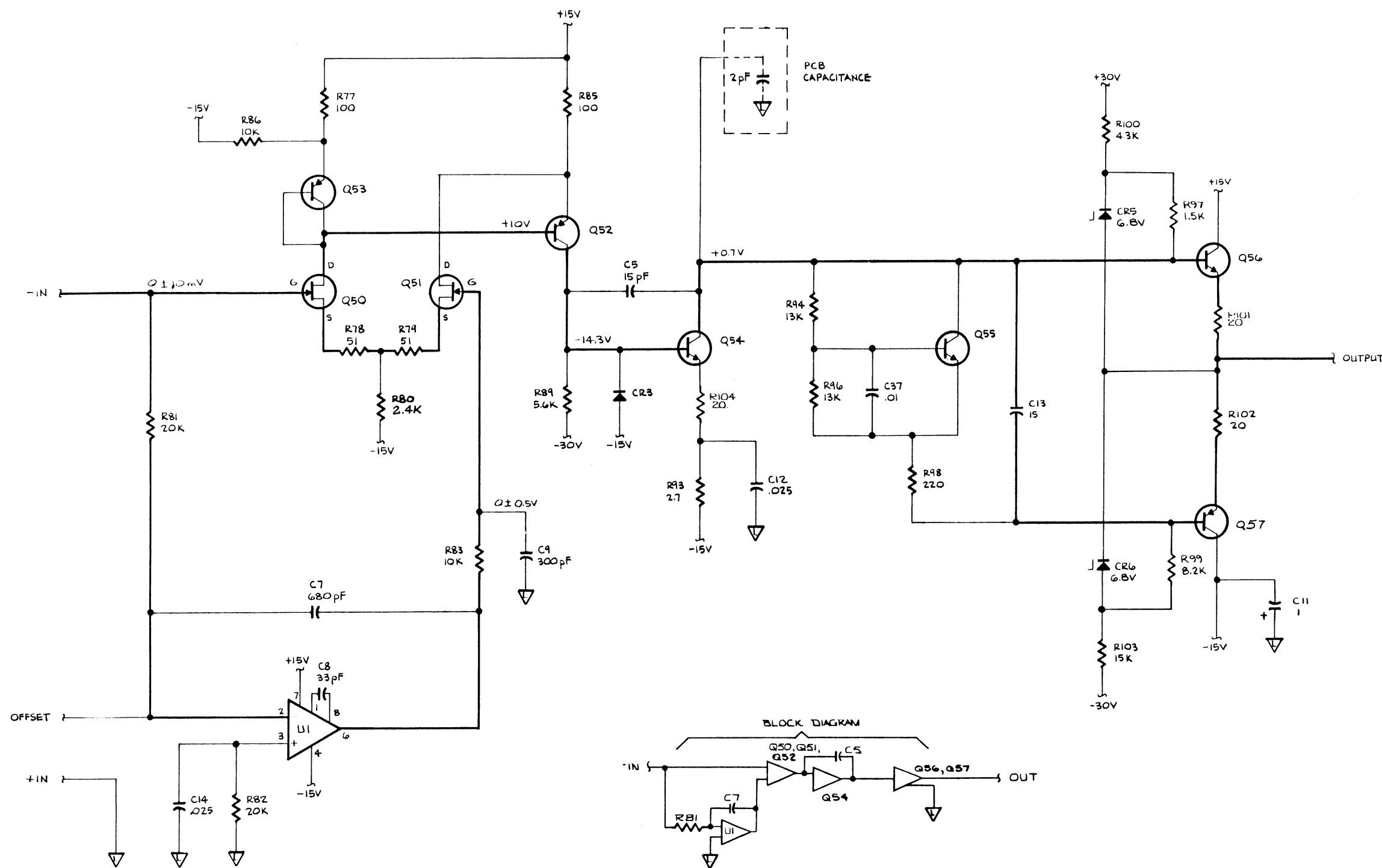


Figure 8-8. A10 Oscillator PCB Assembly



5200A-1070 PH2
(1 of 4)

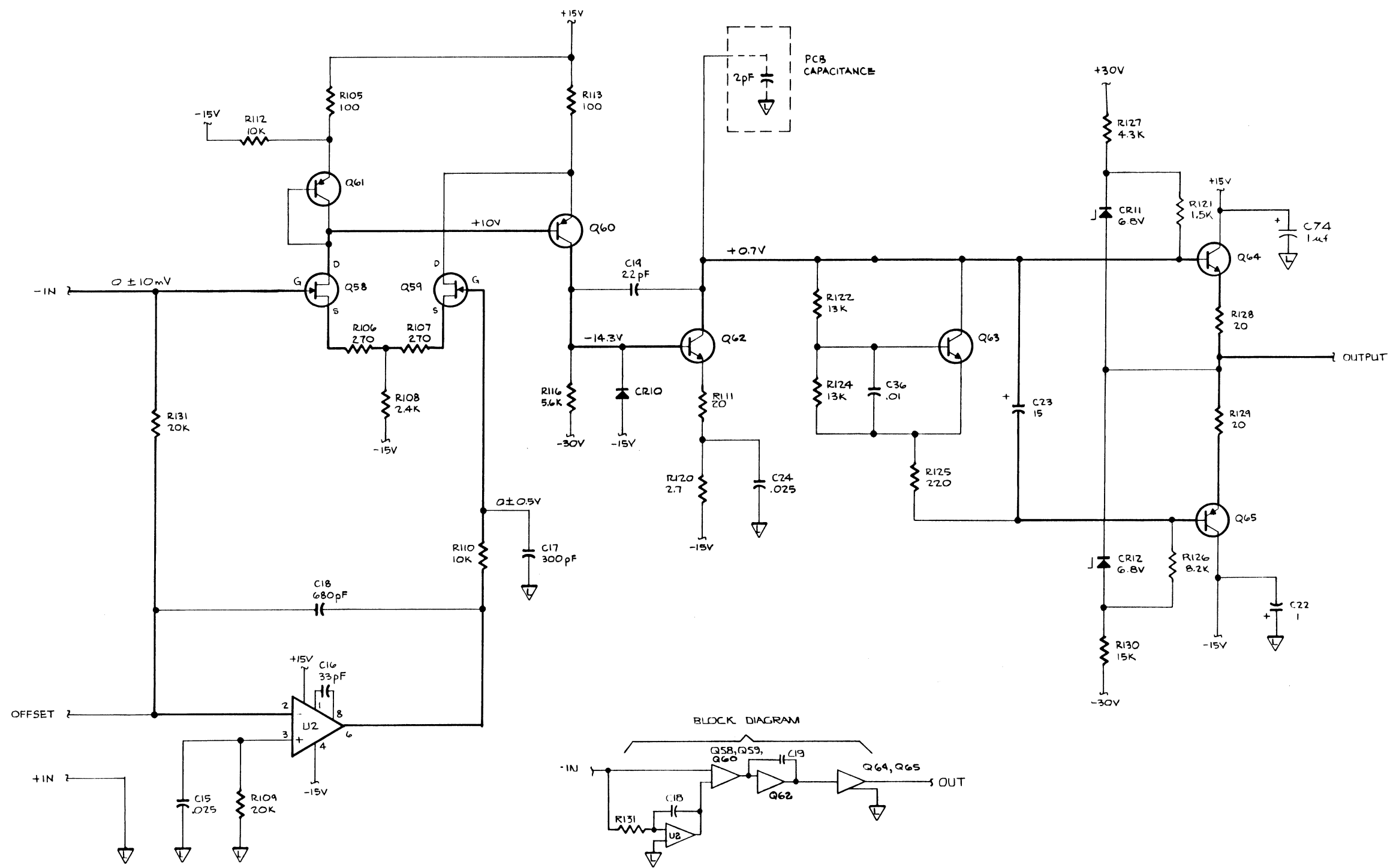
Figure 8-8. A10 Oscillator PCB Assembly (cont)



NOTES:
 1. ALL RESISTANCE IN OHMS AND ALL CAPACITANCE IN MICROFARADS UNLESS OTHERWISE NOTED.

A10A1, SUMMING AMPLIFIER

Figure 8-8. A10 Oscillator PCB Assembly (cont)

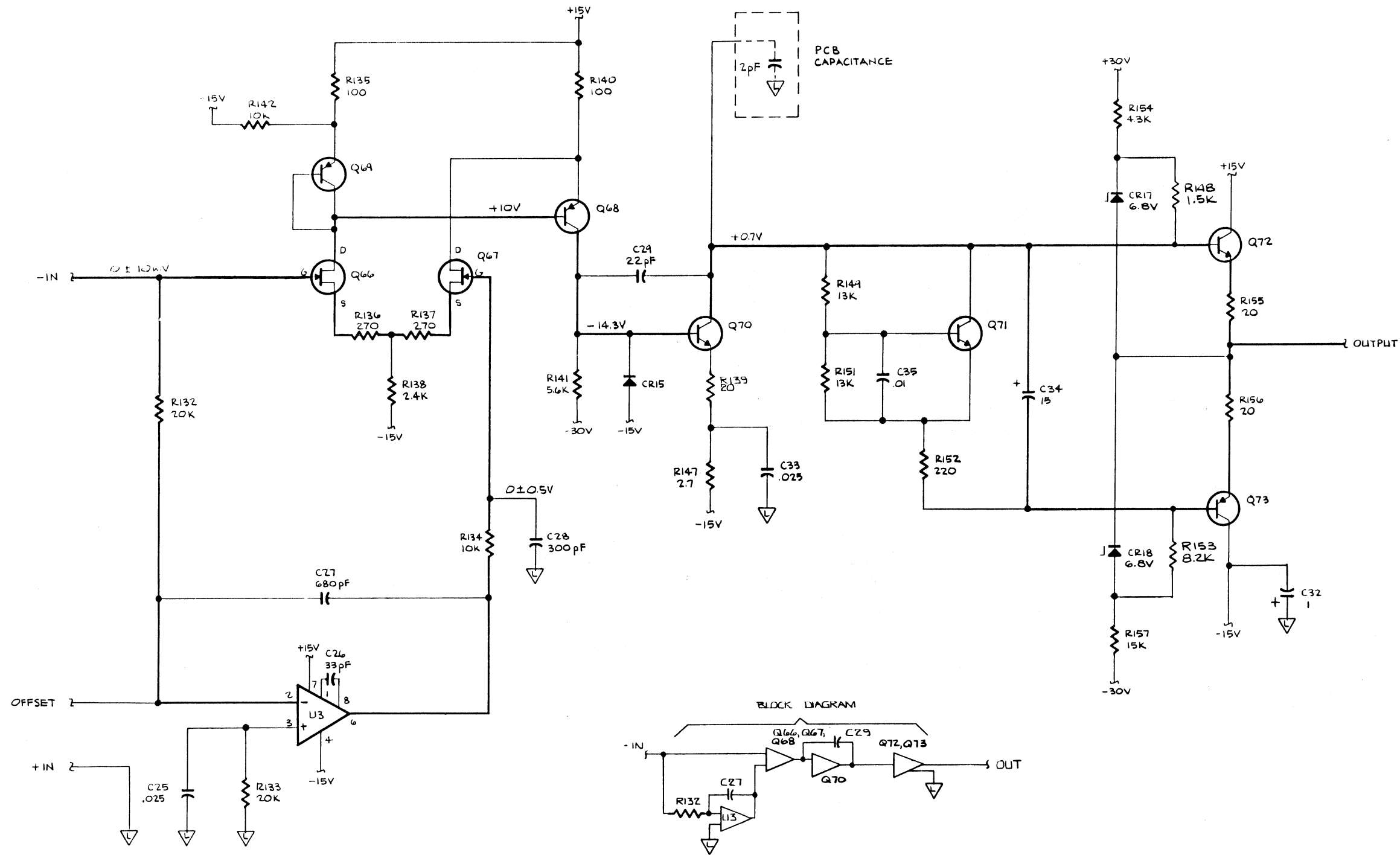


NOTES:
 1. ALL RESISTANCE IS IN OHMS AND ALL CAPACITANCE IS IN MICROFARADS UNLESS OTHERWISE NOTED.

A10A2, QUADRATURE AMPLIFIER

5200A-1070 PH2
 (3 of 4)

Figure 8-8. A10 Oscillator PCB Assembly (cont)



NOTES:

1. ALL RESISTANCE IN OHMS AND ALL CAPACITANCE IN MICROFARADS UNLESS OTHERWISE NOTED.

A10A3, OSCILLATOR AMPLIFIER

5200A-1070 PH2
(4 of 4)

Figure 8-8. A10 Oscillator PCB Assembly (cont)

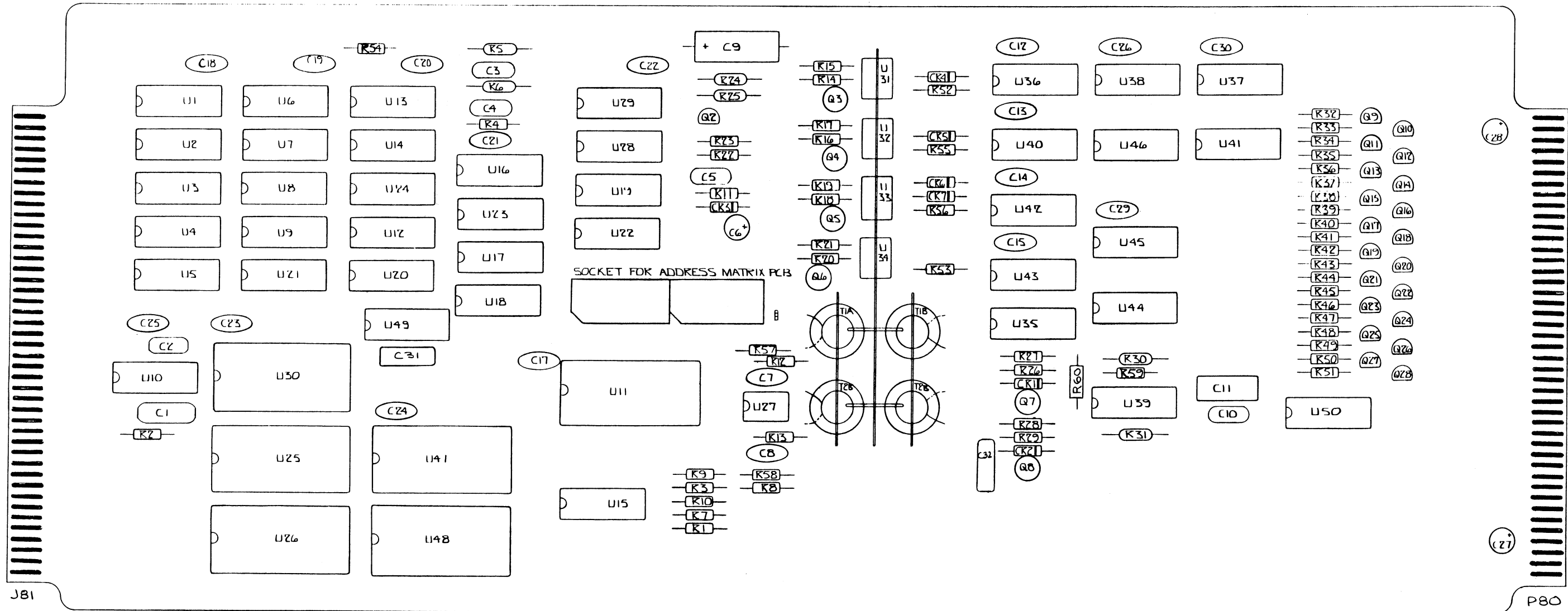
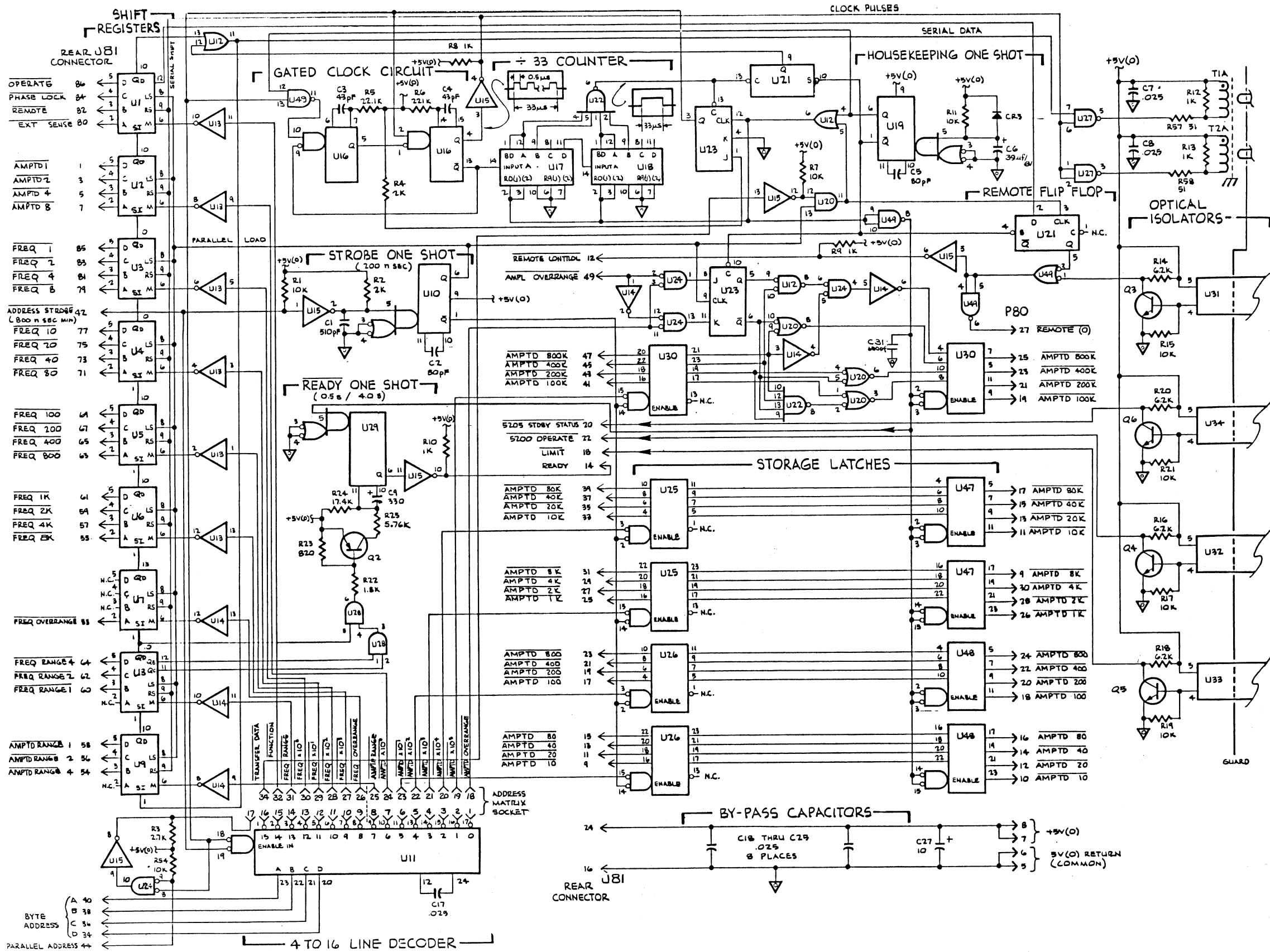


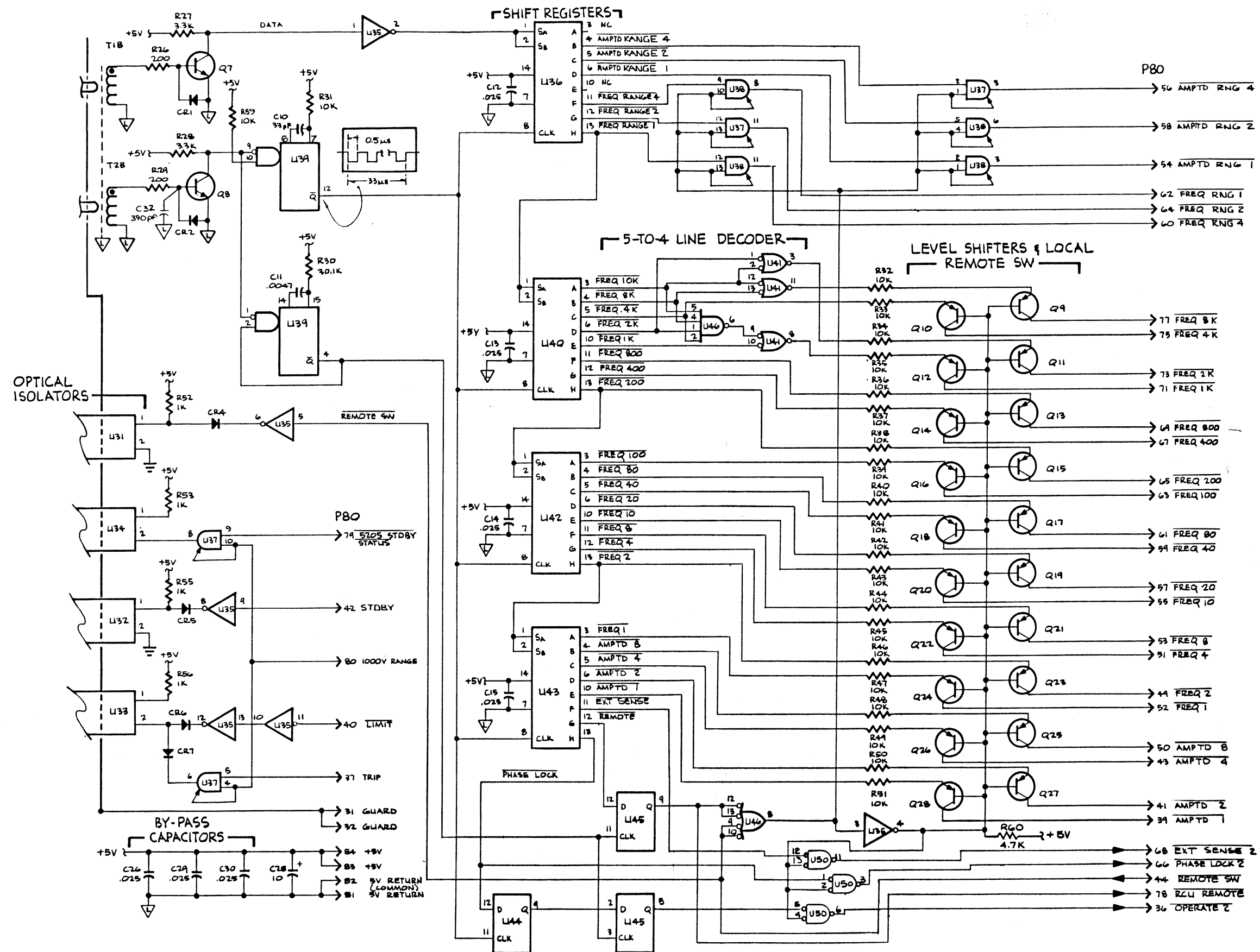
Figure 8-9. A11 Remote Control Unit PCB Assembly



NOTE:
1. ALL RESISTANCE IN OHMS AND ALL CAPACITANCE IN MICROFARADS UNLESS OTHERWISE NOTED.

LAMP ON MAKES PIN 4 GO TO +5V(0)

Figure 8-9. A11 Remote Control Unit PCB Assembly (cont)



NOTES:
 1. ALL RESISTANCE IN OHMS AND ALL CAPACITANCE IN MICROFARADS UNLESS OTHERWISE NOTED.

5200A-1080
 (2 of 2)

Figure 8-9. A11 Remote Control Unit PCB Assembly (cont)

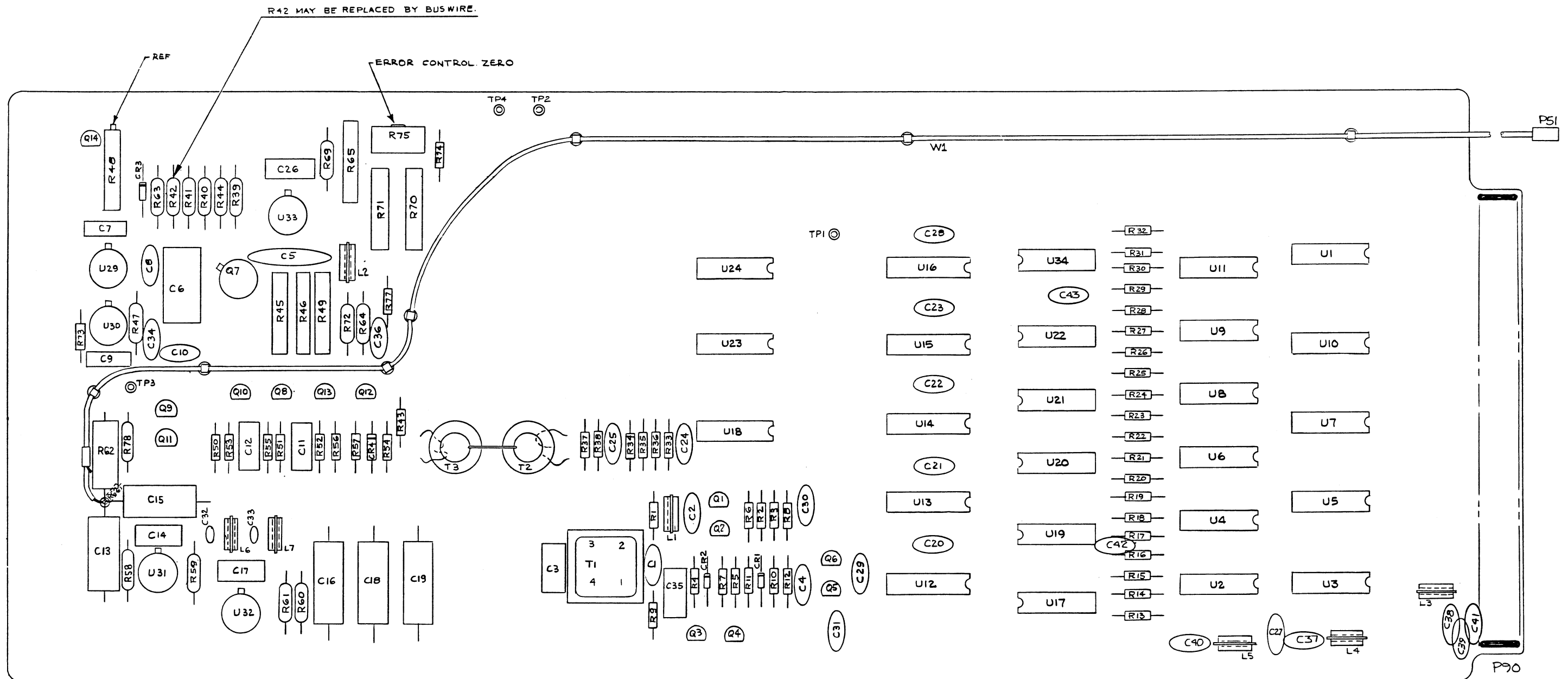
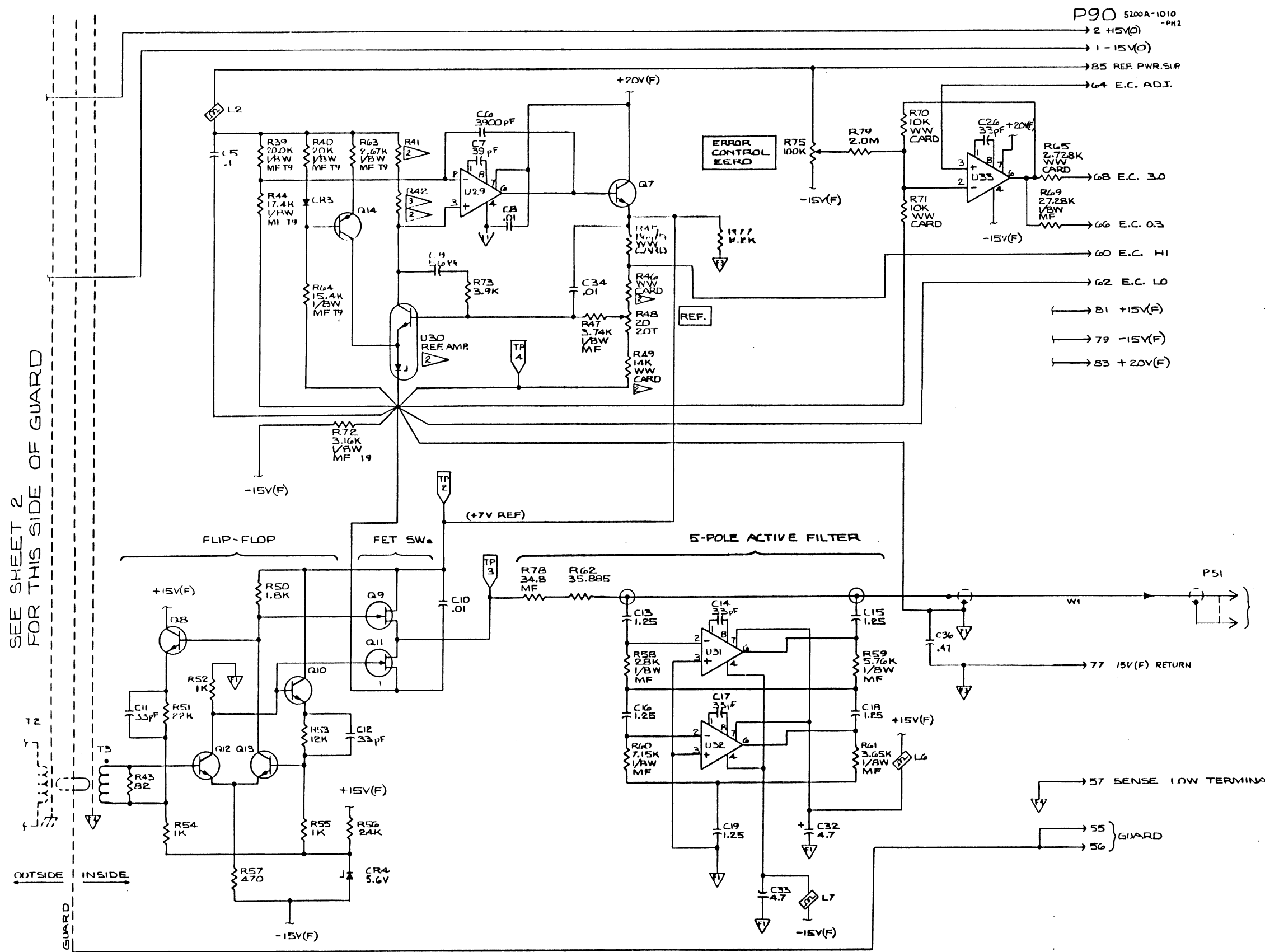
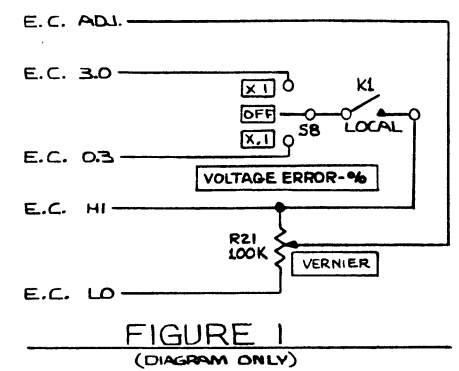


Figure 8-10. A12 Reference Supply PCB Assembly



- NOTES:**
1. ALL RESISTANCE IN OHMS AND ALL CAPACITANCE IN MICROFARADS UNLESS OTHERWISE NOTED.
 2. PART OF 5200A-4590 MATCHED REF. AMP. SET. REPLACE WITH ENTIRE SET.
 3. IF R42 NOT INCLUDED IN REF. AMP. SET SUBSTITUTE SHORTING JUMPER.
 4. FIGURE 1 SHOWS ERROR CONTROL CIRCUITRY ON SCHEMATIC 5200A-1011.



SEE SHEET 2 FOR THIS SIDE OF GUARD

VARIABLE REFERENCE
(TO AC-DC CONVERTER)
5200A-1050-PH2 SHEET 1

Figure 8-10. A12 Reference Supply PCB Assembly (cont)

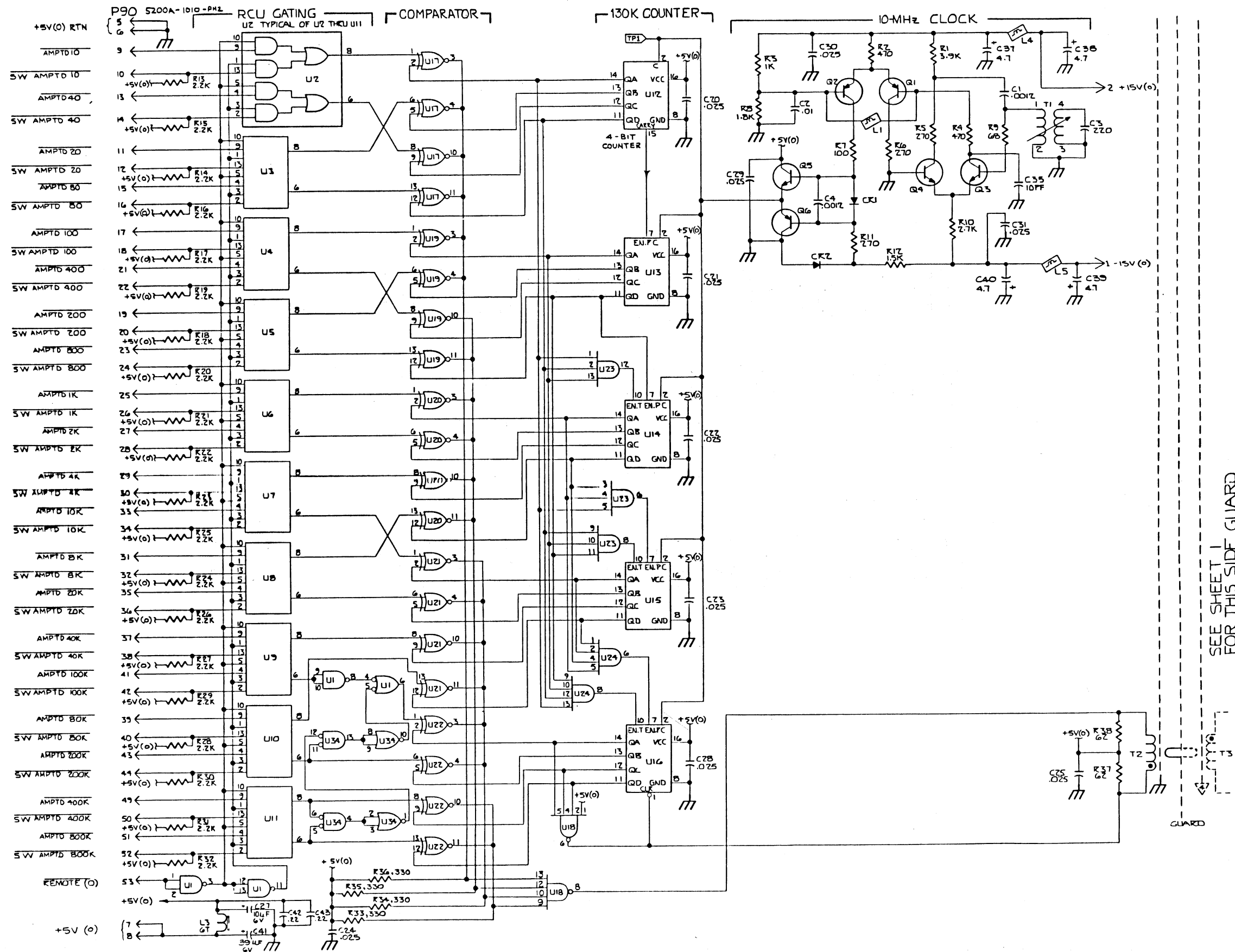


Figure 8-10. A12 Reference Supply PCB Assembly (cont)

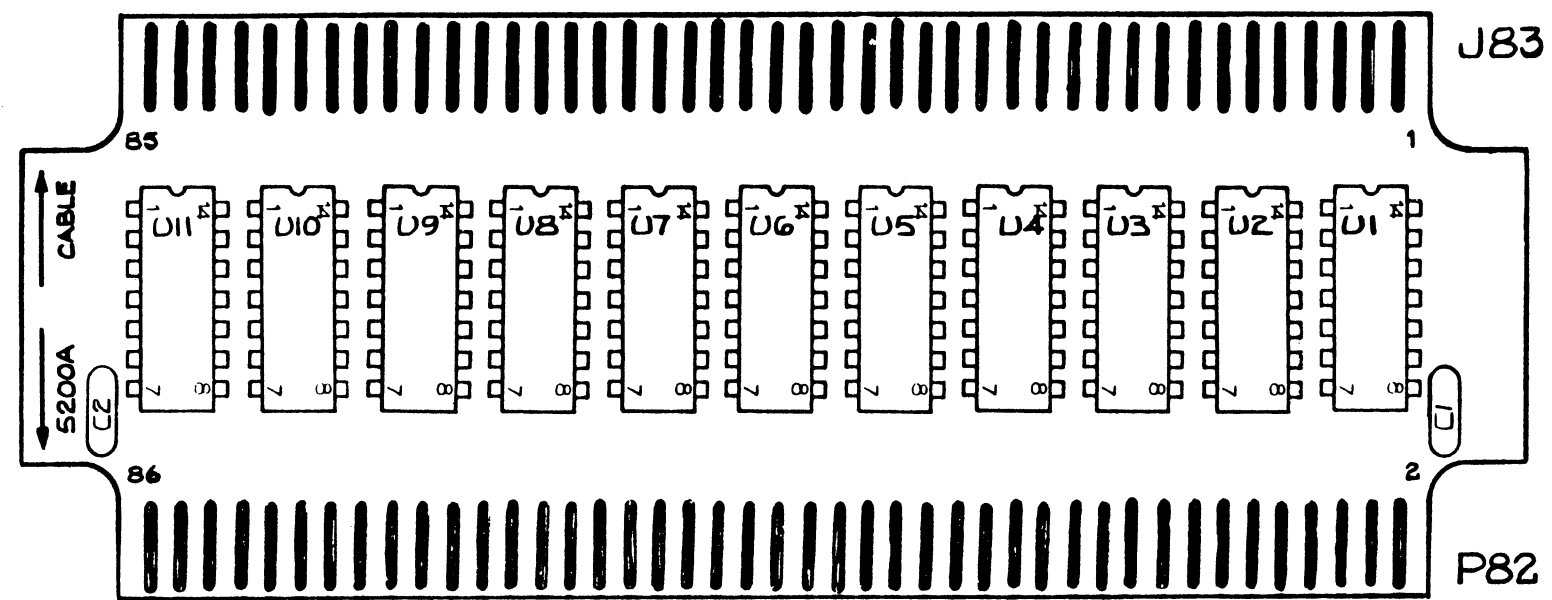
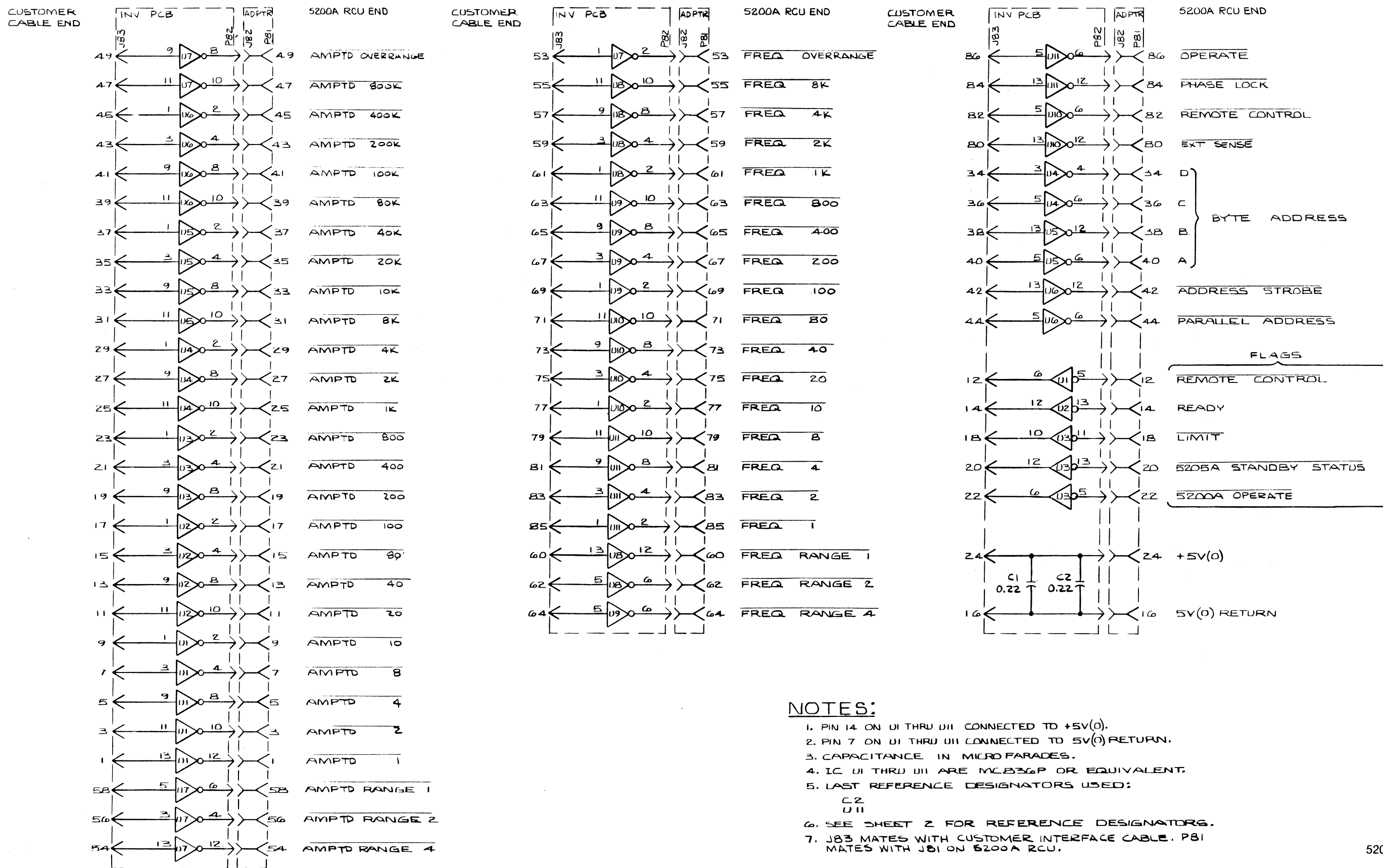


Figure 8-11. A13 RCU Input Signal Inverter PCB Assembly



NOTES:

1. PIN 14 ON U1 THRU U11 CONNECTED TO +5V(0).
2. PIN 7 ON U1 THRU U11 CONNECTED TO 5V(0) RETURN.
3. CAPACITANCE IN MICROFARADES.
4. IC U1 THRU U11 ARE MC836P OR EQUIVALENT.
5. LAST REFERENCE DESIGNATORS USED:
C2
U11
6. SEE SHEET 2 FOR REFERENCE DESIGNATORS.
7. J83 MATES WITH CUSTOMER INTERFACE CABLE. P81 MATES WITH J81 ON 5200A RCU.

5200A-1081

Figure 8-11. A13 RCU Input Signal Inverter PCB Assembly (cont)

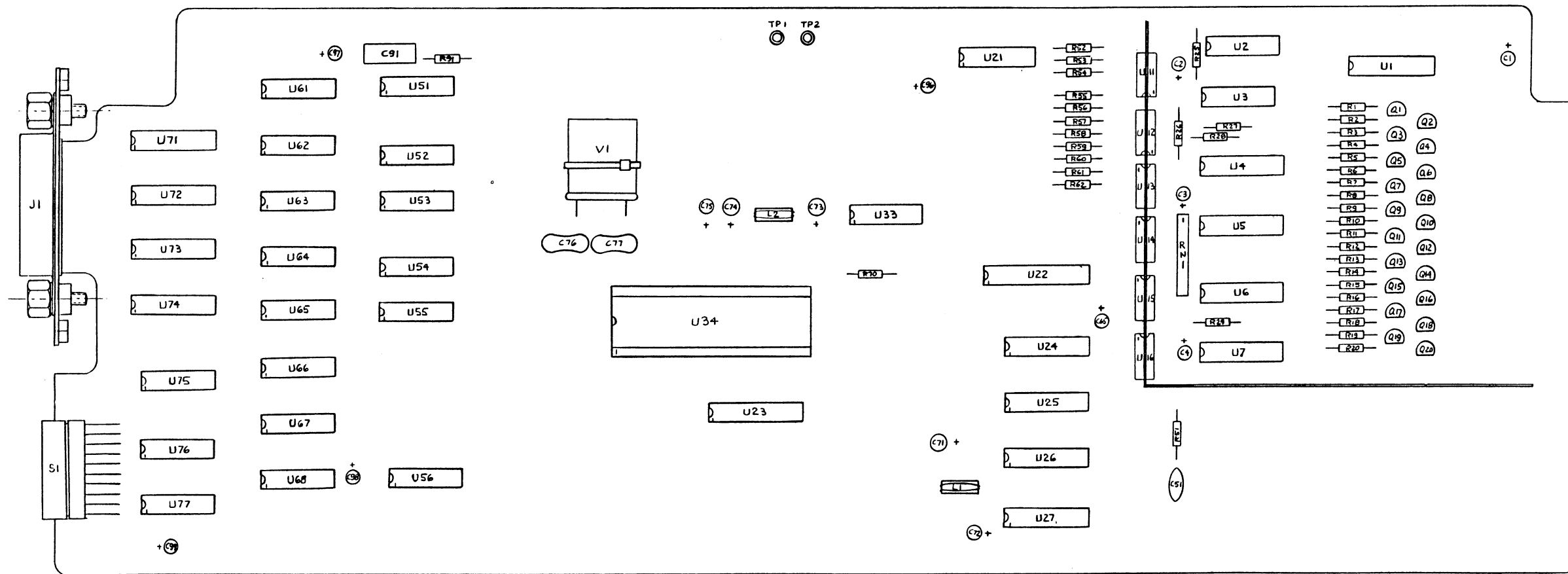
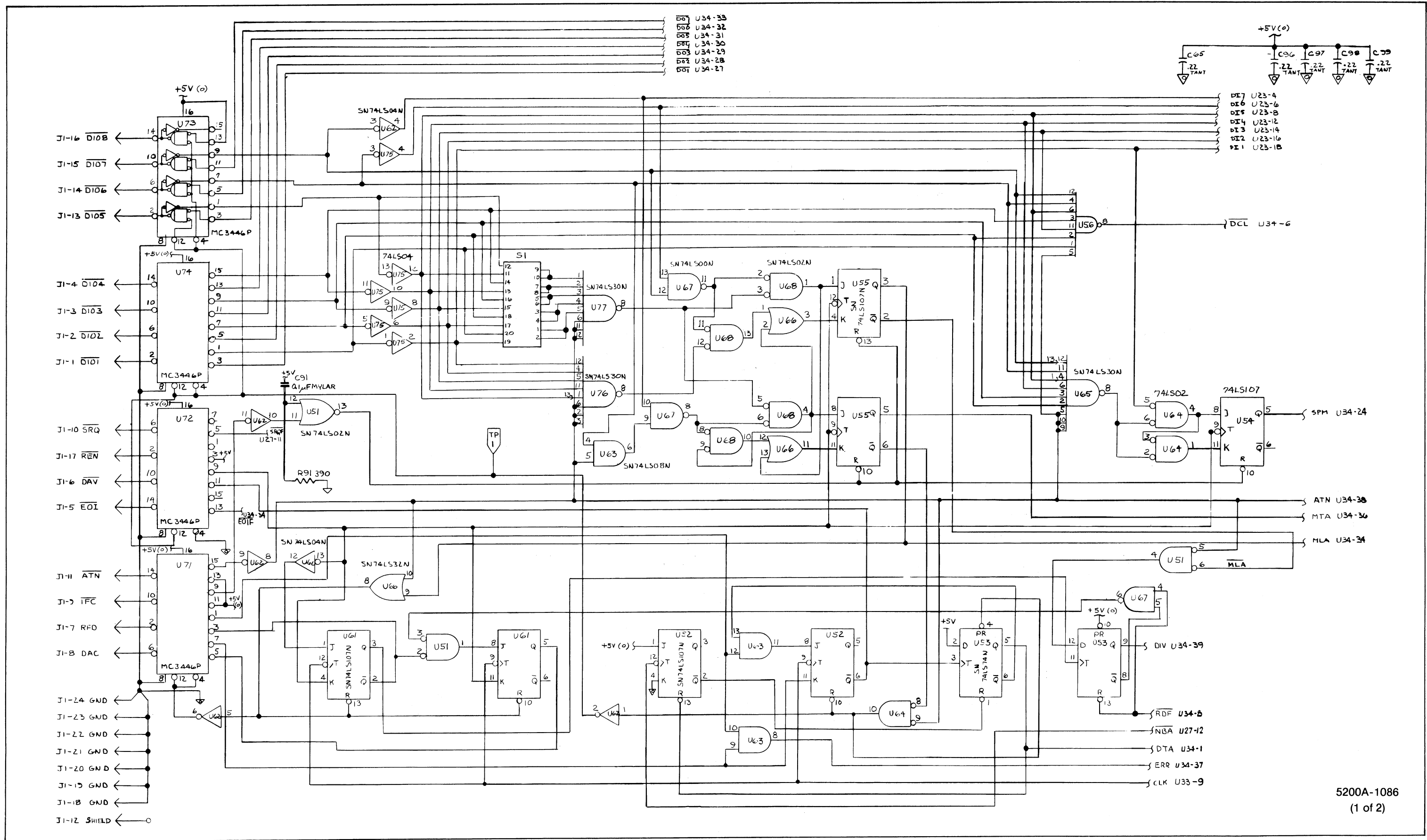


Figure 8-12. A14 IEEE Interface (I/F) PCB Assembly



5200A-1086
(1 of 2)

Figure 8-12. A14 IEEE Interface (I/F) PCB Assembly (cont)

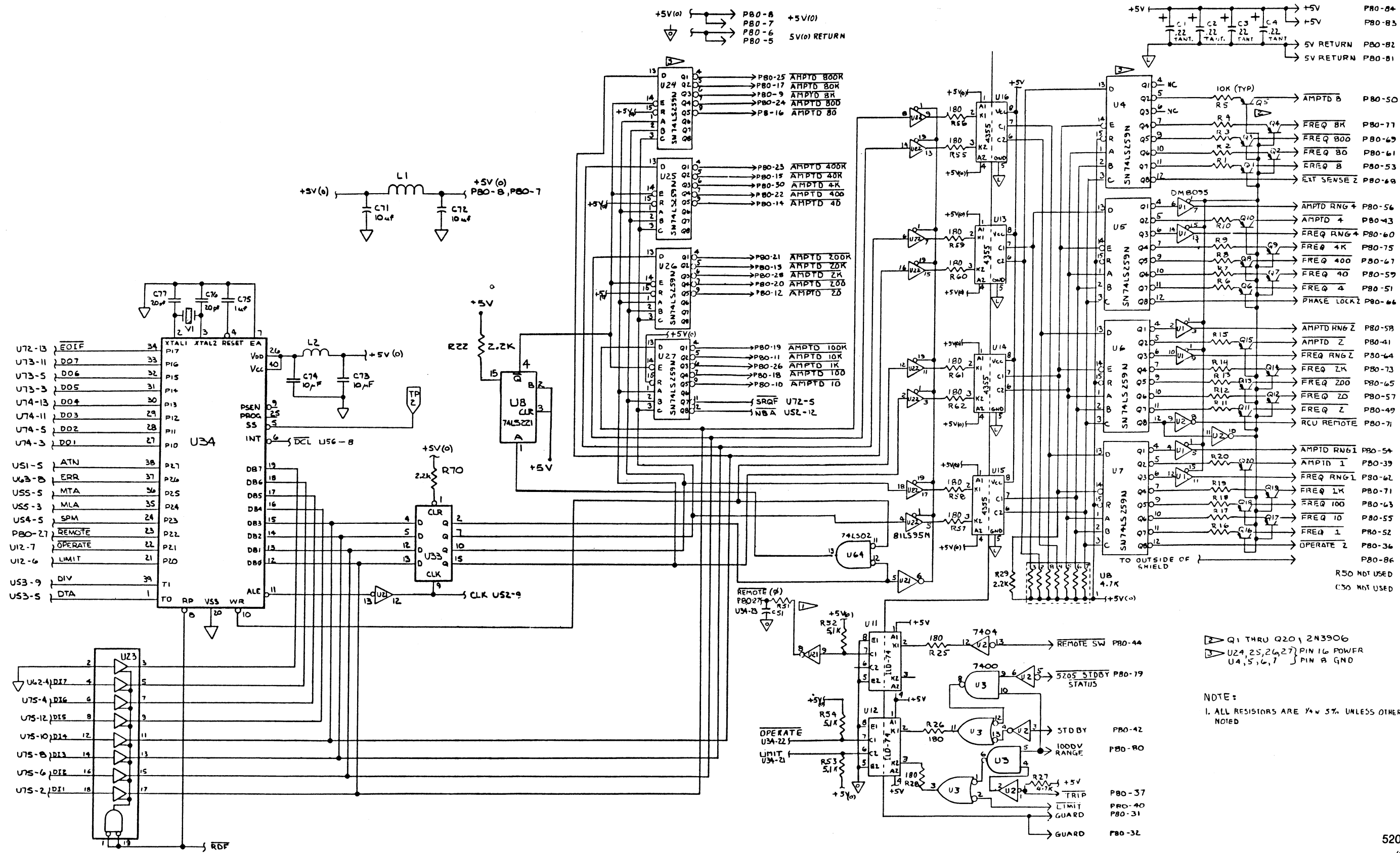


Figure 8-12. A14 IEEE Interface (I/F) PCB Assembly (cont)